

Rack Installation Guide

Guide d'installation du rack

Rack-Installationsanleitung

ラック取り付けガイド

Guía de instalación del rack

Rack Installation Guide

Notes, Notices, and Cautions



NOTE: A NOTE indicates important information that helps you make better use of your computer.



NOTICE: A NOTICE indicates either potential damage to hardware or loss of data and tells you how to avoid the problem.



CAUTION: A CAUTION indicates a potential for property damage, personal injury, or death.

Information in this document is subject to change without notice.

© 2005 Dell Inc. All rights reserved.

Reproduction in any manner whatsoever without the written permission of Dell Inc. is strictly forbidden.

Trademarks used in this text: *Dell*, the *DELL* logo, *RapidRails*, and *VersaRails* are trademarks of Dell Inc.

Other trademarks and trade names may be used in this document to refer to either the entities claiming the marks and names or their products. Dell Inc. disclaims any proprietary interest in trademarks and trade names other than its own

Contents

1	Four-Post Rack Installation	5
	Safety Instructions	5
	SAFETY: Rack Mounting of Systems	5
	General Installation Instructions	6
	Before You Begin	6
	Important Safety Information	7
	Rack Requirements for VersaRails	7
	Rack Stabilizer Feet.	7
	Recommended Tools and Supplies	7
	Sliding Rails Rack Kit Contents	8
	Static Rails Rack Kit Contents	9
	Installation Tasks	10
	Removing the Rack Doors	10
	Marking the Rack	10
	Configuring the Sliding Rail Assemblies (Sliding Rail Kits Only).	13
	Installing Chassis Static Rail Modules (Static Rail Kits Only)	14
	Installing the Mounting Rails in the Rack.	15
	Installing the System in the Rack	18
	Installing a System With Sliding Rails	18
	Installing a System With Static Rails	20
	Replacing the Rack Doors	22
	Installing the Tray and Cable-Management Arm (Sliding Rail Kits Only)	22
	Installing the Tray	22
	Installing the Cable-Management Arm.	23
	Routing Cables	24
	Removing the System From the Rack	25
	Removing a System With Sliding Rails	25
	Removing a System With Static Rails.	25

2	Two-Post Rack Installation	27
	Safety Instructions	27
	SAFETY: Rack Mounting of Systems	27
	Before You Begin	28
	Important Safety Information	28
	Recommended Tools and Supplies	28
	Rack Kit Contents	29
	Installation Tasks	30
	Marking the Rack	30
	Universal-Hole Spacing Racks	30
	Wide-Hole Spacing Racks	31
	Installing the Mounting Rails	32
	Center-Mount Installation	32
	Flush-Mount Installation	33
	Installing Chassis Static Rail Modules	36
	Installing the System in the Rack	37
	Removing the System From the Rack	37
	Index	39

Four-Post Rack Installation


Safety Instructions

Use the following safety guidelines to ensure your own personal safety and to help protect your system and working environment from potential damage. For complete safety and regulatory information, see the *Product Information Guide* that shipped with your system. Warranty information might be included in this document or as a separate document.


SAFETY: Rack Mounting of Systems

Observe the following precautions for rack stability and safety. Also refer to the rack installation documentation accompanying the system and the rack for specific caution statements and procedures.


Systems are considered to be components in a rack. Thus, "component" refers to any system as well as to various peripherals or supporting hardware.

 **CAUTION: Before installing systems in a rack, install front and side stabilizers on stand-alone racks or the front stabilizer on racks joined to other racks. Failure to install stabilizers accordingly before installing systems in a rack could cause the rack to tip over, potentially resulting in bodily injury under certain circumstances. Therefore, always install the stabilizer(s) before installing components in the rack.**

After installing system/components in a rack, never pull more than one component out of the rack on its slide assemblies at one time. The weight of more than one extended component could cause the rack to tip over and may result in serious injury.

 **NOTE:** Your system is safety-certified as a free-standing unit and as a component for use in a Dell rack cabinet using the customer rack kit. The installation of your system and rack kit in any other rack cabinet has not been approved by any safety agencies. It is your responsibility to ensure that the final combination of system and rack complies with all applicable safety standards and local electric code requirements. Dell disclaims all liability and warranties in connection with such combinations.

- System rack kits are intended to be installed in a rack by trained service technicians. If you install the kit in any other rack, be sure that the rack meets the specifications of a Dell rack.

 **CAUTION: Do not move racks by yourself. Due to the height and weight of the rack, a minimum of two people should accomplish this task.**

- Before working on the rack, make sure that the stabilizers are secured to the rack, extended to the floor, and that the full weight of the rack rests on the floor. Install front and side stabilizers on a single rack or front stabilizers for joined multiple racks before working on the rack.
- Always load the rack from the bottom up, and load the heaviest item in the rack first.

- Make sure that the rack is level and stable before extending a component from the rack.
- Use caution when pressing the component rail release latches and sliding a component into or out of a rack; the slide rails can pinch your fingers.
- Do not overload the AC supply branch circuit that provides power to the rack. The total rack load should not exceed 80 percent of the branch circuit rating.
- Ensure that proper airflow is provided to components in the rack.
- Do not step on or stand on any component when servicing other components in a rack.

General Installation Instructions

This installation guide provides instructions for trained service technicians installing one or more systems in a rack cabinet. The RapidRails™ rack kit can be installed in all the system manufacturer's rack cabinets without tools, and the VersaRails™ rack kit can be installed in most industry-standard rack cabinets. The procedures for installing both RapidRails and VersaRails rack kits are similar. One rack kit is required for each system to be installed in the rack cabinet.

This section includes procedures for the following four-post rack kits:

- Sliding rails rack kit
- Static rails rack kit (RapidRails and VersaRails versions)

(See "Two-Post Rack Installation" on page 27 for instructions on installing a static rails kit in a two-post rack.)

Before You Begin

Before you begin installing your system in the rack, carefully read "Safety Instructions," found earlier in this guide, as well as the safety instructions found in your *Product Information Guide* for additional information.



CAUTION: When installing multiple systems in a rack, complete all of the procedures for the current system before attempting to install the next system.




CAUTION: Rack cabinets can be extremely heavy and move easily on their casters. They do not have brakes. Use extreme caution while moving the rack cabinet. Retract the leveling feet when relocating the rack cabinet. Avoid long or steep inclines or ramps where loss of cabinet control may occur. Extend the leveling feet for support and to prevent the cabinet from rolling.



NOTE: For instructions on installing the system itself, see "Installing the System in the Rack" on page 18.


Important Safety Information

Observe the safety precautions in the following subsections when installing your system in the rack.


 **CAUTION:** You must strictly follow the procedures in this document to protect yourself as well as others who may be involved. Your system may be very large and heavy and proper preparation and planning are important to prevent injury to yourself and to others. This precaution becomes increasingly important when systems are installed high up in the rack.

 **CAUTION:** Do not install rack kit components designed for another system. Use only the rack kit for your system. Using the rack kit for another system may result in damage to the system and personal injury to yourself and to others.

Rack Requirements for VersaRails

 **NOTICE:** The VersaRails rack kit is intended to be installed by trained service technicians in a rack that meets the specifications of American National Standards Institute (ANSI)/Electronic Industries Association (EIA) standard ANSI/EIA-310-D-92, International Electrotechnical Commission (IEC) 297, and Deutsche Industrie Norm (DIN) 41494. One rack kit is required for each system that is installed in a rack.

Rack Stabilizer Feet

 **CAUTION:** Before installing systems in a rack, install front and side stabilizers on stand-alone racks or the front stabilizer on racks joined to other racks. Failure to install stabilizers accordingly before installing systems in a rack could cause the rack to tip over, potentially resulting in bodily injury under certain circumstances. Therefore, always install the stabilizer(s) before installing components in the rack.

The stabilizer feet help prevent the rack from tipping over. See the documentation provided with the rack cabinet for instructions on installing and anchoring the stabilizer feet.

Recommended Tools and Supplies

You may need the following items to install the system in a four-post rack cabinet:

- #2 Phillips screwdriver
- Masking tape or a felt-tip pen, for use in marking the mounting holes to be used

Sliding Rails Rack Kit Contents

- One pair of slide assemblies (convertible to RapidRails or VersaRails configuration)
- One cable-management arm
- One tray
- One status indicator cable (if applicable)
- Tie wraps to secure the cables to the cable management arm
- Eight 10-32 x 0.5-inch flange-head Phillips screws (used in VersaRails configuration only)


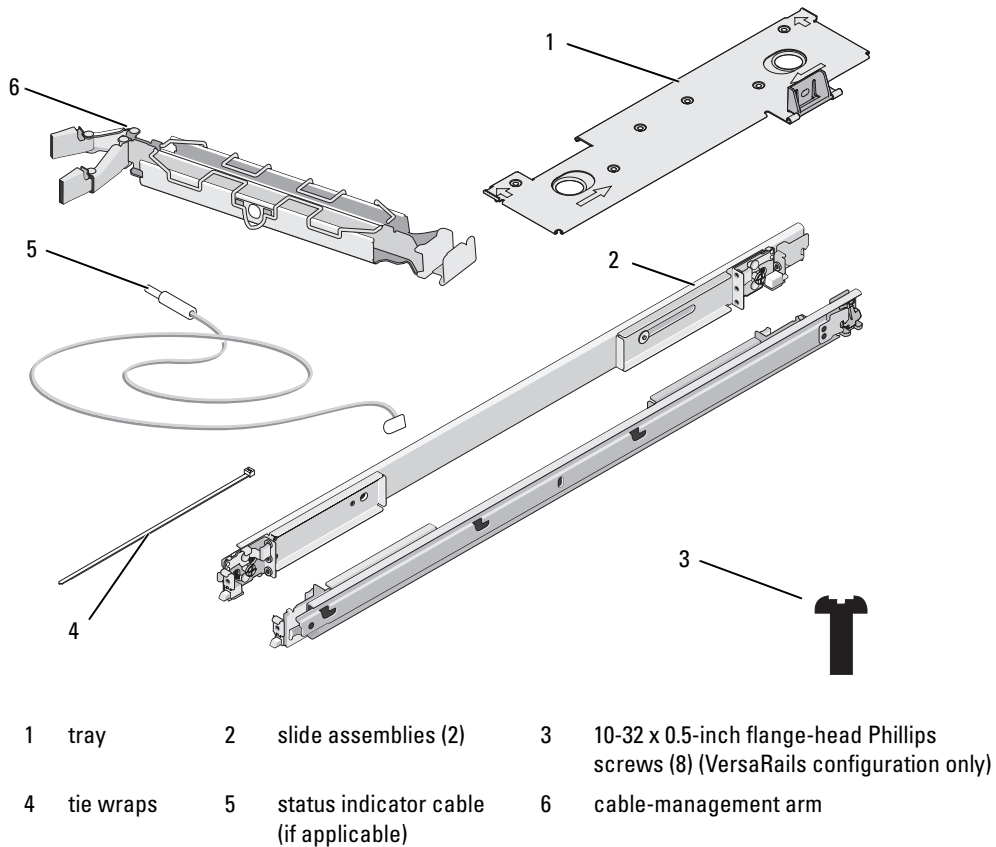
 **NOTE:** The nonmetric screws described in illustrations and in procedural steps are identified by size and number of threads per inch. For example, a #10 Phillips-head screw with 32 threads per inch is identified as a 10-32 screw.

Figure 1-1. Sliding Rails Rack Kit Contents



Static Rails Rack Kit Contents

- One pair of static mounting rails with either VersaRails brackets or RapidRails brackets.
- One pair of chassis static rail modules
- 10-32 x 0.5-inch flange-head Phillips screws (8) (VersaRails kits only)
- Releasable tie wraps (2) (not shown in Figure 1-2)


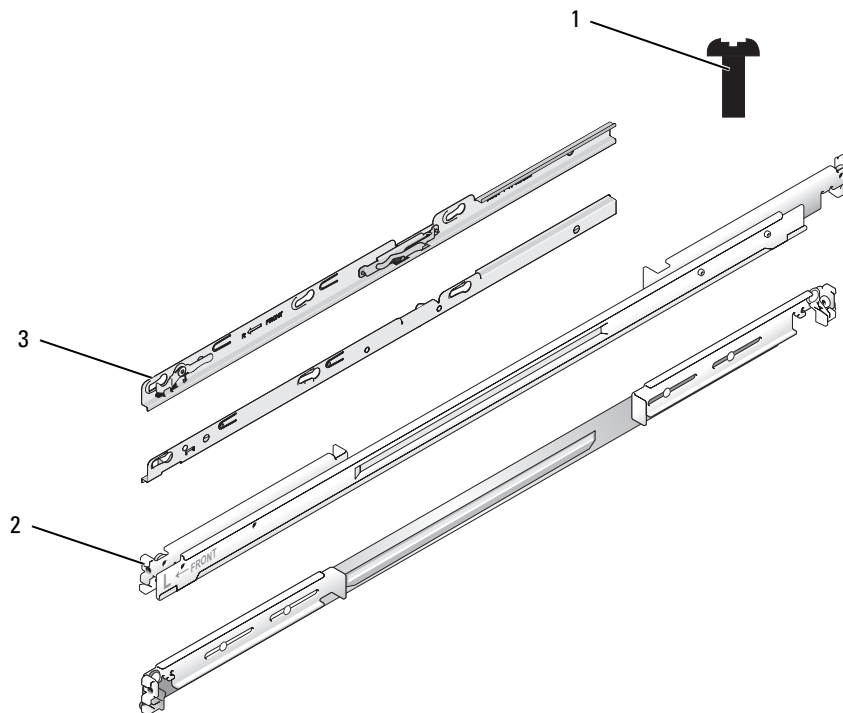
 **NOTE:** The nonmetric screws described in illustrations and in procedural steps are identified by size and number of threads per inch. For example, a #10 Phillips-head screw with 32 threads per inch is identified as a 10-32 screw.

Figure 1-2. Static Rails Rack Kit Contents



- | | | | | | |
|---|---|---|---------------------------|---|---------------------------------|
| 1 | 10-32 x 0.5-inch flange-head Phillips screws (8) (VersaRails kits only) | 2 | static mounting rails (2) | 3 | chassis static rail modules (2) |
|---|---|---|---------------------------|---|---------------------------------|

Installation Tasks

Installing a rack kit involves performing the following tasks (described in detail in subsequent sections) in their numbered order:

- 1 Removing the rack doors
- 2 Marking the rack
- 3 Configuring the sliding rail assemblies (sliding rail kits only)
- 4 Installing chassis static rail modules (static rail kits only)
- 5 Installing the mounting rails in the rack
- 6 Installing the system in the rack
- 7 Installing the tray and cable-management arm (sliding rail kits only)
- 8 Routing cables
- 9 Replacing the rack doors

Removing the Rack Doors

See the procedures for removing doors in the documentation provided with your rack cabinet.



CAUTION: Because of the size and weight of the rack cabinet doors, never attempt to remove or install them by yourself.



CAUTION: Store the two doors where they will not injure someone if the doors accidentally fall over.

Marking the Rack

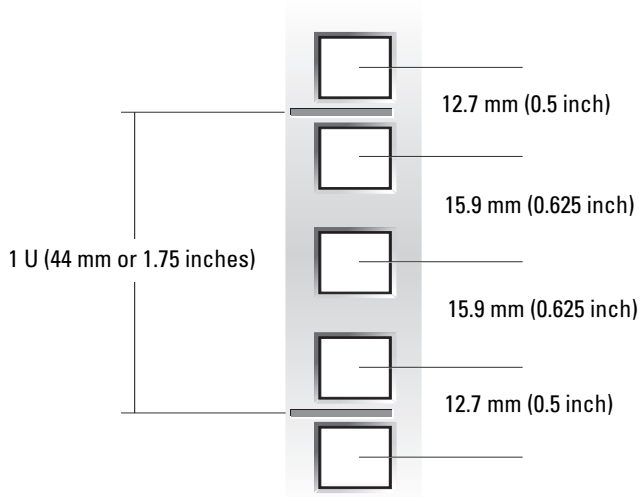
For a 1-U system, you must allow 1 U (44 mm, or 1.75 inches) of vertical space for each system you install in the rack.

Rack cabinets that meet EIA-310 standards have an alternating pattern of three holes per rack unit with center-to-center hole spacing (beginning at the top hole of a 1-U space) of 15.9 mm, 15.9 mm, and 12.7 mm (0.625 inch, 0.625 inch, and 0.5 inch) for the front and back vertical rails (see Figure 1-3). Rack cabinets may have round or square holes.



NOTE: The vertical rails may be marked by horizontal lines and numbers in 1-U increments. If you want, you can make a note of the number marking on the rack's vertical rail. It is not necessary to mark or place tape on the rack.

Figure 1-3. One Rack Unit



⚠ CAUTION: If you are installing more than one system, install the mounting rails so that the first system is installed in the lowest available position in the rack.

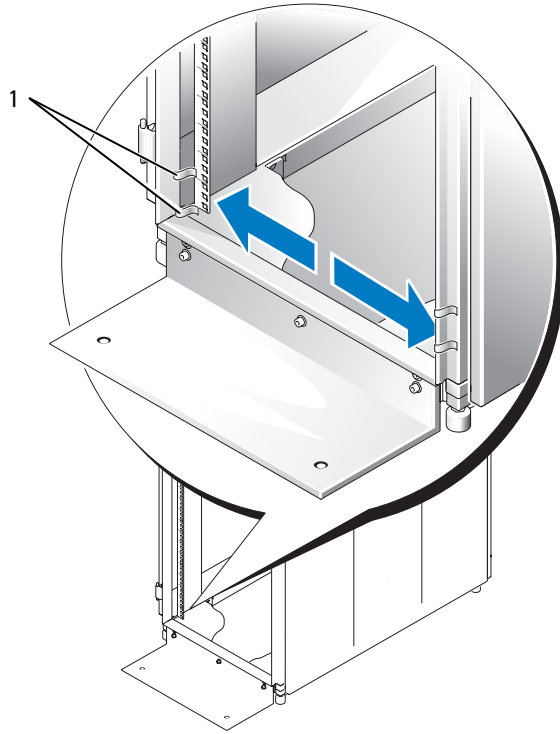
To mark the rack, perform the following steps:

- 1 Place a mark (or tape) on the rack's front vertical rails where you want to locate the bottom of the system you are installing in the rack.

The bottom of each 1-U space is at the middle of the narrowest metal area between holes (marked with a horizontal line on some rack cabinets—see Figure 1-4).

- 2 Place a mark 44 mm (1.75 inches) above the original mark you made (or count up three holes in a rack that meets EIA-310 standards) and mark the rack's front vertical rails with a felt-tipped pen or masking tape (if you counted holes, place a mark just above the top hole). This mark or piece of tape indicates where the system's upper edge will be located on the vertical rails (see Figure 1-4).


Figure 1-4. Marking the Vertical Rails



1 marks on vertical rail (2)

Configuring the Sliding Rail Assemblies (Sliding Rail Kits Only)

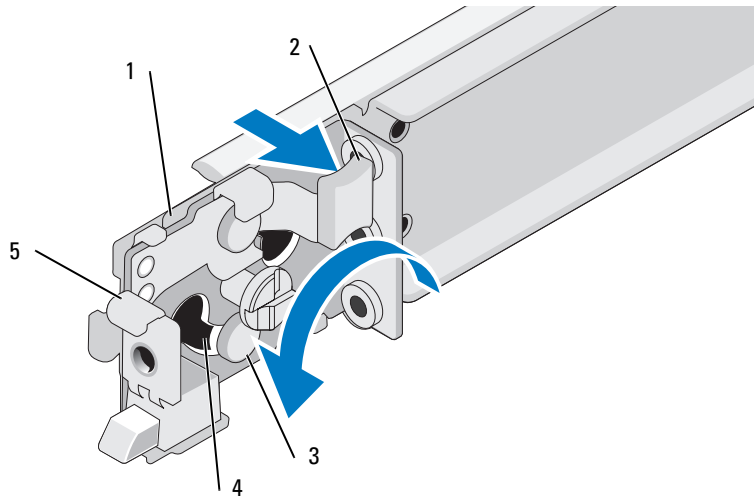
The sliding rail assembly has a rotating mounting bracket at each end of the rail. The position of the bracket determines whether the rail assembly is used as a RapidRail or a VersaRail. The RapidRail side of the bracket has a hook and a latch that secure it to the vertical rail. The VersaRail side of the bracket has three holes and uses screws to attach it to the vertical rail.

 **NOTE:** The rack kit ships with the sliding rail assemblies in the RapidRails configuration.

To rotate the mounting bracket and change the mounting rails from RapidRails to VersaRails (see Figure 1-5):

- 1 Lift the release lever on the rotating mounting bracket.
- 2 Rotate the bracket and slide it up off the two shoulder standoffs.
- 3 Continue to rotate the bracket 180 degrees until you can set the notches back over the shoulder standoffs.
- 4 Rotate the bracket back in the opposite direction on the shoulder standoffs until the bracket clicks into place.

Figure 1-5. Changing the Position of the Rotating Mounting Bracket



- | | | | | | |
|---|------------------|---|---|---|------------------------|
| 1 | rotating bracket | 2 | release lever | 3 | shoulder standoffs (2) |
| 4 | notches (2) | 5 | mounting bracket flange
(RapidRails configuration shown) | | |

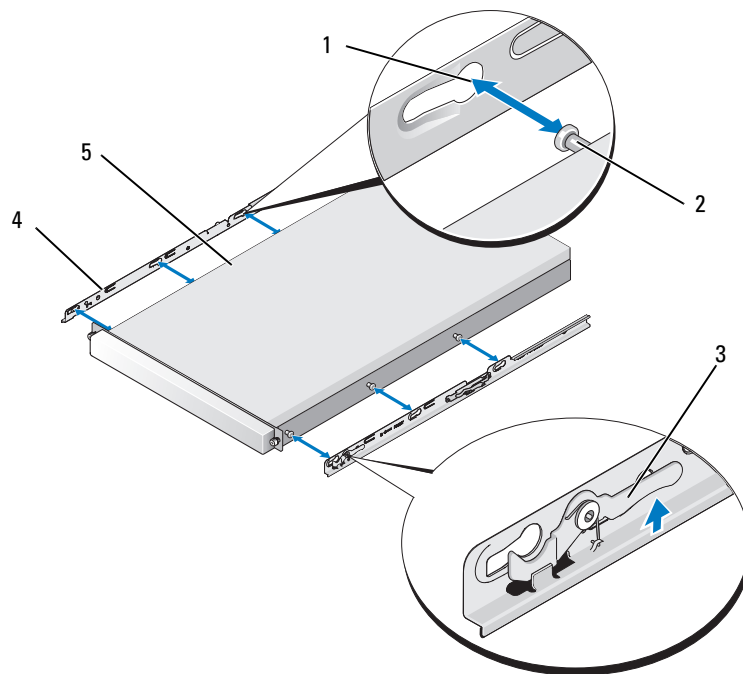
Installing Chassis Static Rail Modules (Static Rail Kits Only)

NOTE: You do not need to remove the optional front bezel to install or remove the chassis static rail modules from the chassis.

- 1 To install a rail module, locate the three keyhole slots on the rail module and the corresponding shoulder screws on the side of the system (see Figure 1-6).
- 2 Place the rail module against the side of the system so that the shoulder screws fit through the round portion of the keyhole slots, then slide the module towards the back of the system.
- 3 Repeat steps 1 and 2 to install the other rail module.

To remove a rail module from the chassis, pull up on the release latch, then slide the rail forward and remove the rail module from the chassis.

Figure 1-6. Installing and Removing Static Rail Chassis Modules



1 keyhole slots (6)

2 shoulder screws (6)

3 release latch

4 rail modules (2)

5 system

Installing the Mounting Rails in the Rack

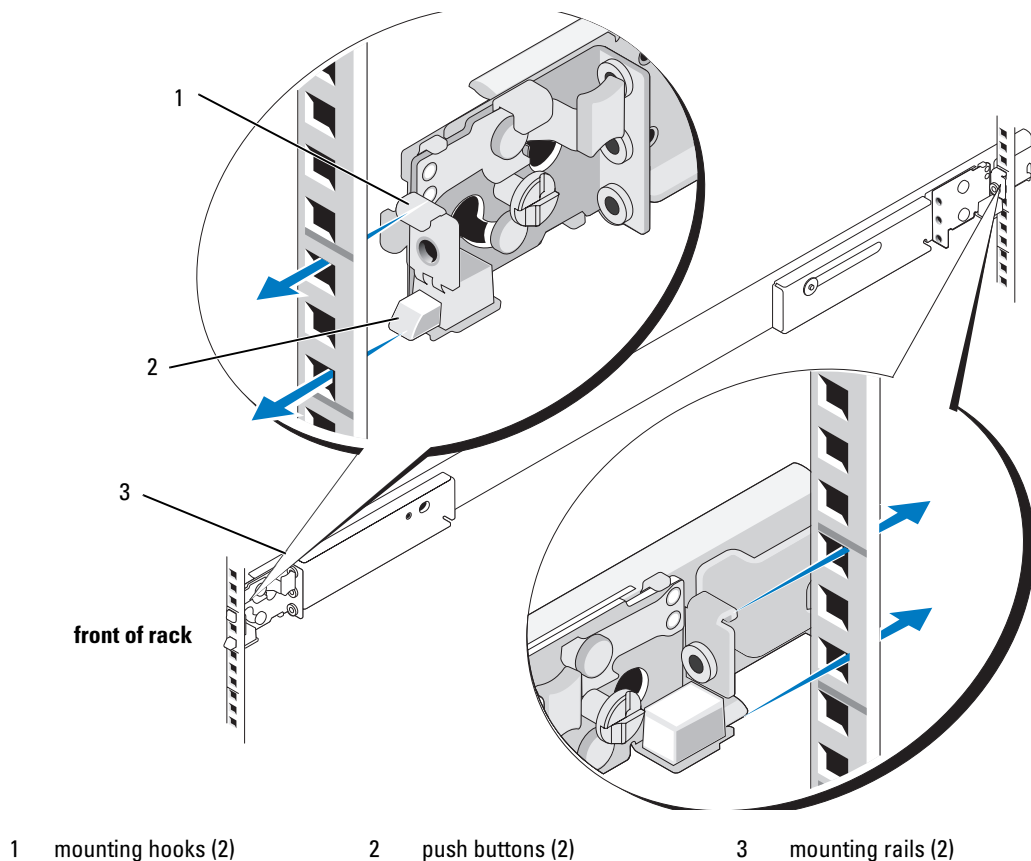
NOTE: The following instructions apply to both sliding mounting rails and static mounting rails.

Installing RapidRails Mounting Rails

- 1 At the front of the rack cabinet, position one of the mounting rails so that its mounting-bracket flange fits between the marks or tape you placed (or numbered locations) on the vertical rails in "Marking the Rack" (see Figure 1-7).

The top mounting hook on the front mounting-bracket flange should enter the top hole between the marks you made on the vertical rails.

Figure 1-7. Installing RapidRails Mounting Rails



- 2** Push the mounting rail forward until the mounting hook enters the square hole, and then push down on the mounting-bracket flange until the mounting hook seats and the push button extends through the lower square hole (see Figure 1-7).
- 3** At the back of the cabinet, pull back on the mounting-bracket flange until the mounting hook enters the upper square hole, and then push down on the flange until the mounting hook seats and the push button extends through the lower square hole.
- 4** Repeat step 1 through step 3 for the mounting rail on the other side of the rack.
- 5** Confirm that the mounting rails are mounted at the same vertical position on both sides of the rack.

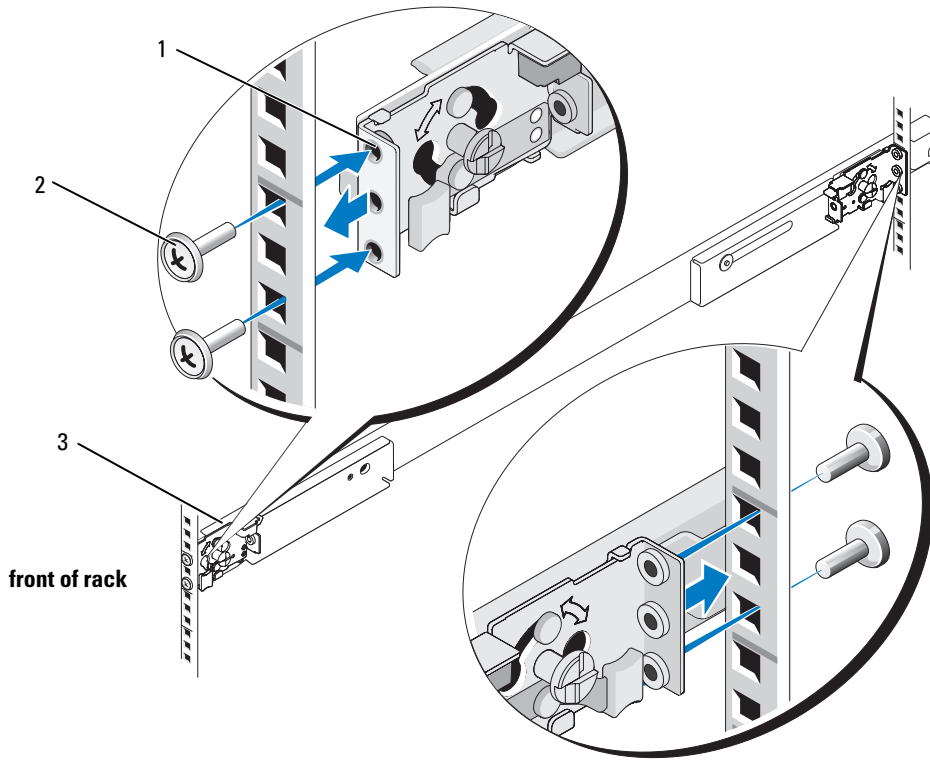
Installing the VersaRails Mounting Rails

- 1** At the front of the rack cabinet, position one of the mounting rails so that its mounting-bracket flange fits between the marks you placed (or numbered locations) on the vertical rails in "Marking the Rack" (see Figure 1-8).

The three holes on the front of the mounting-bracket flange should align with the holes between the marks you made on the front vertical rail.

- 2** Install two 10-32 x 0.5-inch flange-head Phillips screws in the upper and lower holes in the mounting-bracket flange to secure the mounting rail to the front vertical rail.
- 3** At the back of the cabinet, pull back on the mounting-bracket flange until the mounting holes align with their respective holes on the back vertical rail.
- 4** Install two 10-32 x 0.5-inch flange-head Phillips screws in the upper and lower holes in the mounting-bracket flange to secure the mounting rail to the back vertical rail.
- 5** Repeat step 1 through step 4 for the mounting rail on the other side of the rack.
- 6** Ensure that the mounting rails are mounted at the same position on the vertical rails on each side of the rack.

Figure 1-8. Installing VersaRails Mounting Rails




1 mounting-bracket flange

2 10-32 x 0.5-inch flange-head
Phillips screws
(4 per mounting rail)

3 mounting rails (2)

Installing the System in the Rack

 **CAUTION:** If you are installing more than one system, install the first system in the lowest available position in the rack.

 **CAUTION:** Because of the size and weight of the system, never attempt to install the system in the mounting rails by yourself.

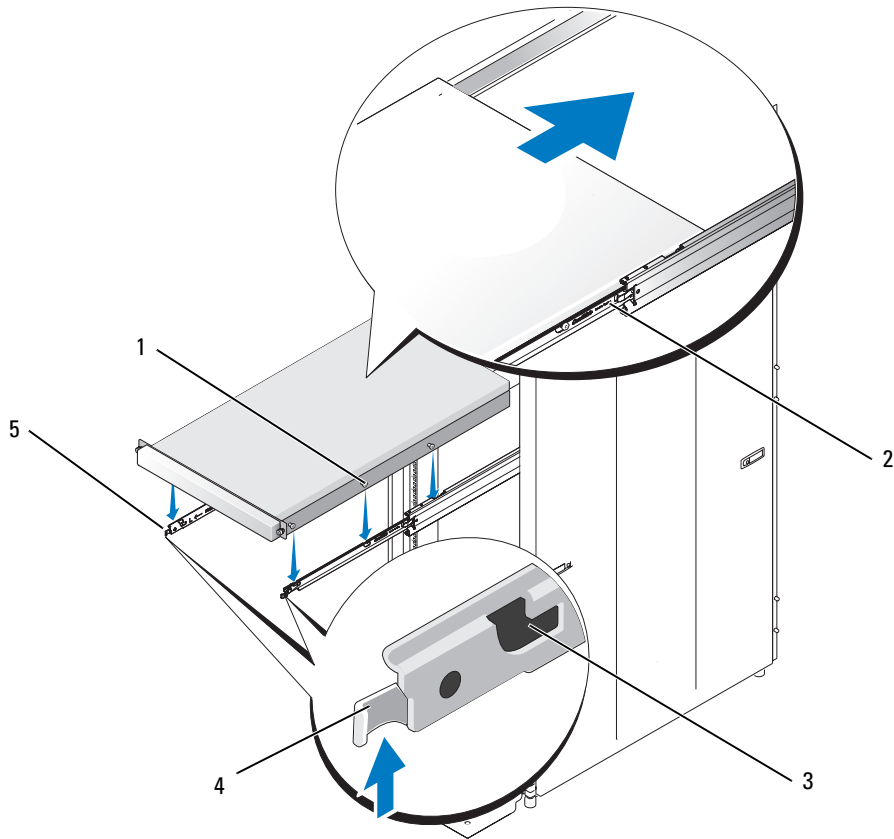
Installing a System With Sliding Rails

- 1 Pull the two inner slide rails out of the rack until they lock in the fully extended position (see Figure 1-9).
- 2 Lift the system into position above the extended slides.
The three shoulder screws on each side of the system fit into the corresponding J-slots on the inner slide assemblies (see Figure 1-9).
- 3 Lower the back of the system while aligning the back shoulder screws on the sides of the system with the back J-slots on the slide assemblies.
- 4 Engage the back shoulder screws into their respective J-slots.
- 5 Lower the front of the system and fit the middle and front shoulder screws into the J-slots in the slide assemblies.

The system release latch at the front of the inner slide rail will snap back as the shoulder screw passes into the front slot. Use this system release latch when you wish to remove the system from the slide assemblies.

- 6 Press the slide-release latch on the outside of each inner slide, then push the system into the rack.
- 7 Install the cable-management arm. See "Installing the Tray and Cable-Management Arm (Sliding Rail Kits Only)" on page 22.
- 8 Tighten the thumbscrews on the rack front panel to secure the slide assemblies to the rack.

Figure 1-9. Installing a System With Sliding Rails



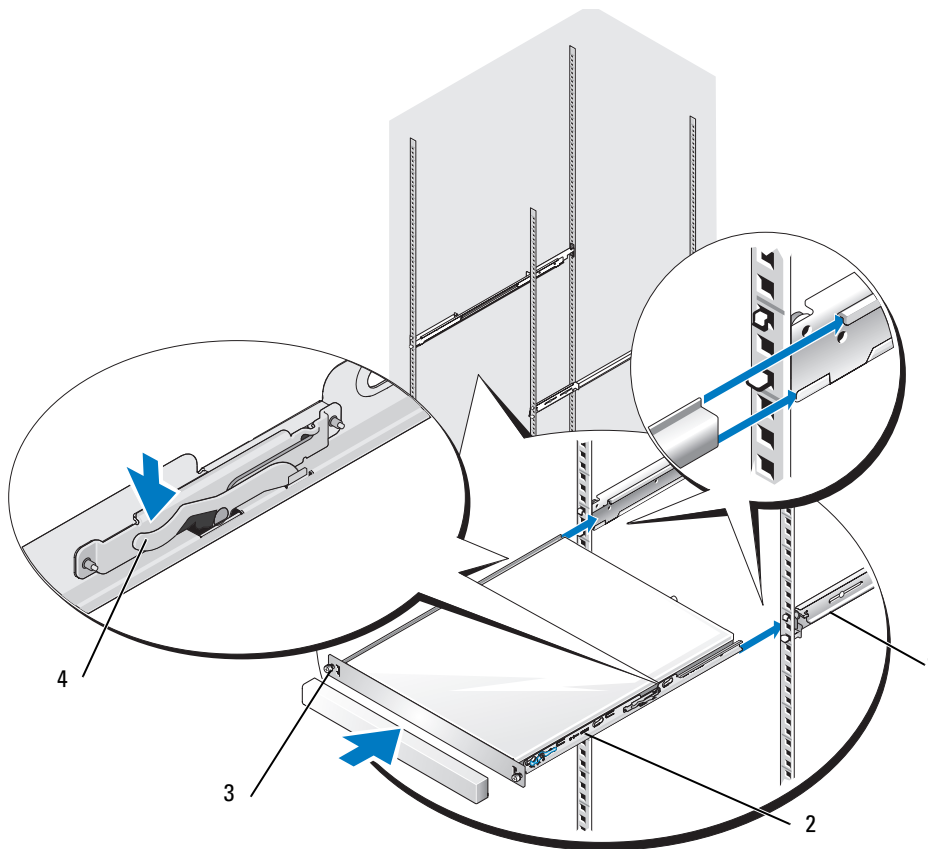
- | | | | | | |
|---|---------------------|---|-----------------------|---|-------------|
| 1 | shoulder screws (6) | 2 | slide-release latch | 3 | J slots (6) |
| 4 | front release latch | 5 | inner slide rails (2) | | |

Installing a System With Static Rails

To install the system on the rack, perform the following procedure:

- 1 From the front of the system, lift the chassis into position so that the chassis rail modules are aligned with the mounting rails on the rack.
- 2 Push the chassis back into the mounting rails until the system stops (see Figure 1-10).
- 3 Secure both thumbscrews on the front panel of the chassis.
- 4 Install the optional front bezel (if applicable). See the procedures for installing the bezel in the documentation provided with your system.

Figure 1-10. Installing a System With Static Rails



1 mounting rails (2)

2 chassis rail modules (2)

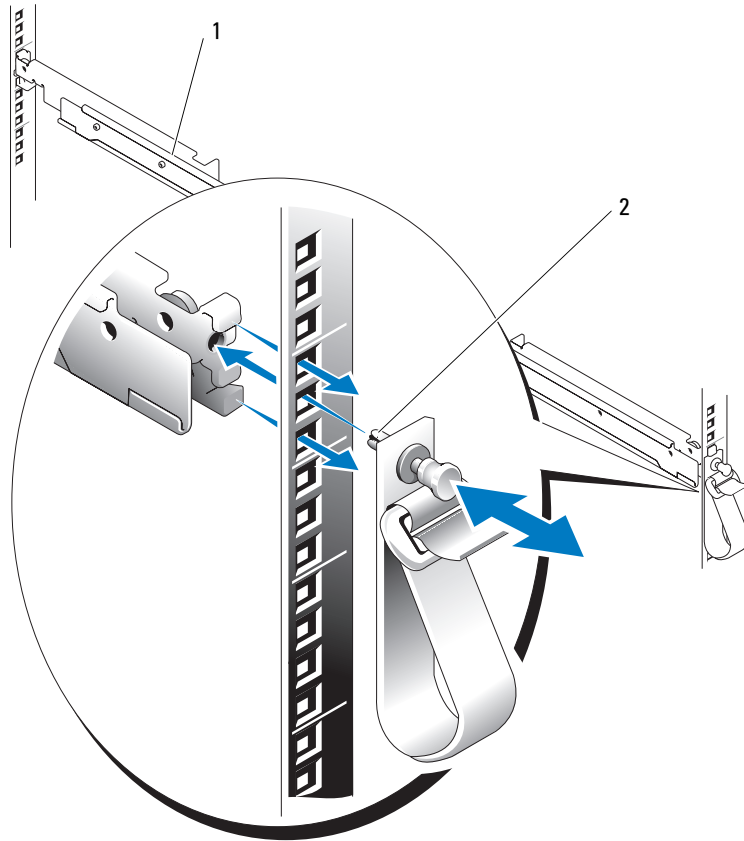
3 thumbscrews (2)

4 release latches (2)

- 5 Locate the releasable tie wrap attachment points located on the two back mounting-bracket flanges (see Figure 1-11).

These tie wraps are used to secure the system's cables to the mounting rails.

Figure 1-11. Installing the Releasable Tie Wraps



1 mounting rails (2)

2 releasable tie wraps (2)

- 6 Push the tie wrap's fastener through the attachment point.
- 7 Push the tie wrap's plunger until it snaps to secure the tie wrap to the mounting rail.
- 8 Using the releasable tie wrap, secure your system's cables to the mounting rail.

Replacing the Rack Doors

See the procedures for replacing doors in the documentation provided with your rack.

⚠ CAUTION: Because of the size and weight of the rack cabinet doors, never attempt to remove or install them by yourself.

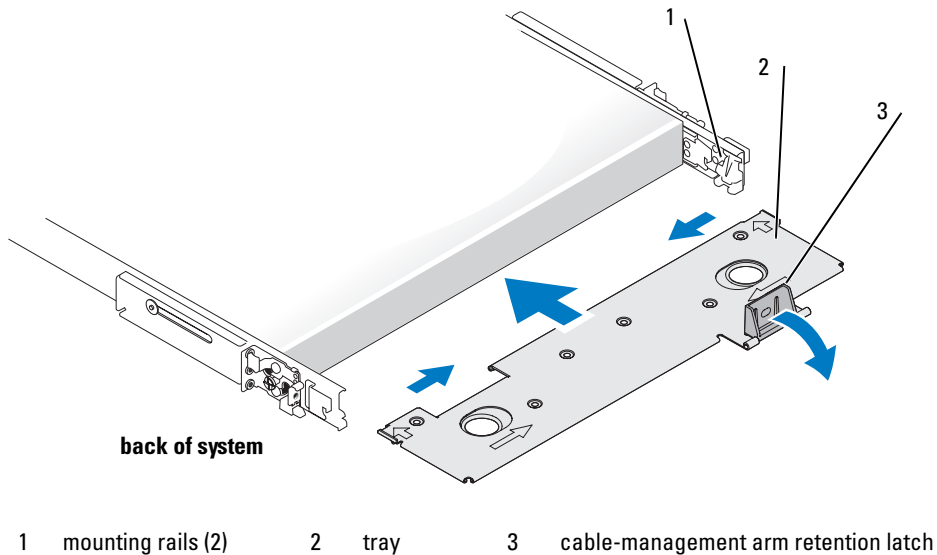
Installing the Tray and Cable-Management Arm (Sliding Rail Kits Only)

✍ NOTE: This procedure does not apply to the static rail kit.

Installing the Tray

- 1 At the back of the system, fit the ends of the tray between the ends of the mounting rails and slide the tray forward until it latches (see Figure 1-12).
- 2 In preparation for installing the cable-management arm, press the catch at the center of the cable-management arm retention latch and rotate the latch downward (see Figure 1-12).

Figure 1-12. Installing the Tray

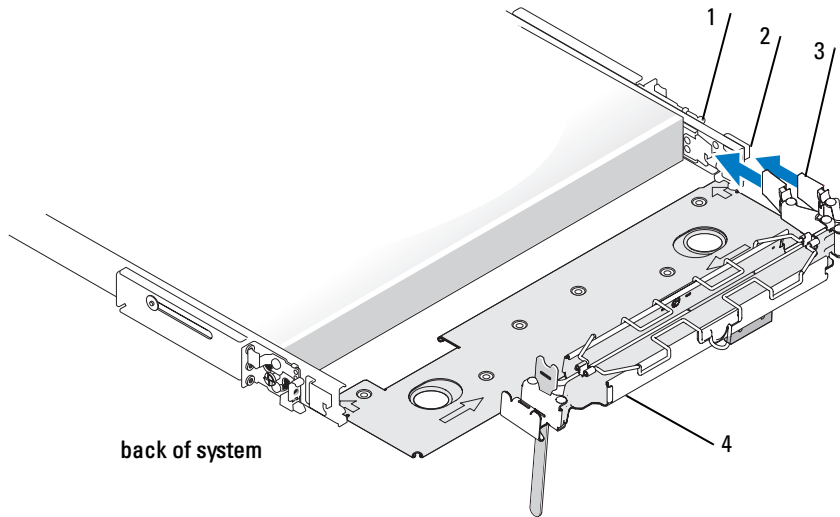


Installing the Cable-Management Arm

NOTE: You can attach the cable-management arm to either the right or left mounting rail, depending on how you intend to route cables from the system.

- 1 If necessary, press the catch at the center of the cable-management arm retention latch on the tray, and rotate the latch downwards (see Figure 1-12).
- 2 At the back of the system, fit the latch on the front end of the cable-management arm onto the innermost bracket on the slide assembly, until the latch engages (see Figure 1-13).
- 3 Fit the latch on the unattached end of the cable-management arm onto the outermost bracket on the slide assembly, until the latch engages (see Figure 1-13).

Figure 1-13. Installing the Cable-Management Arm

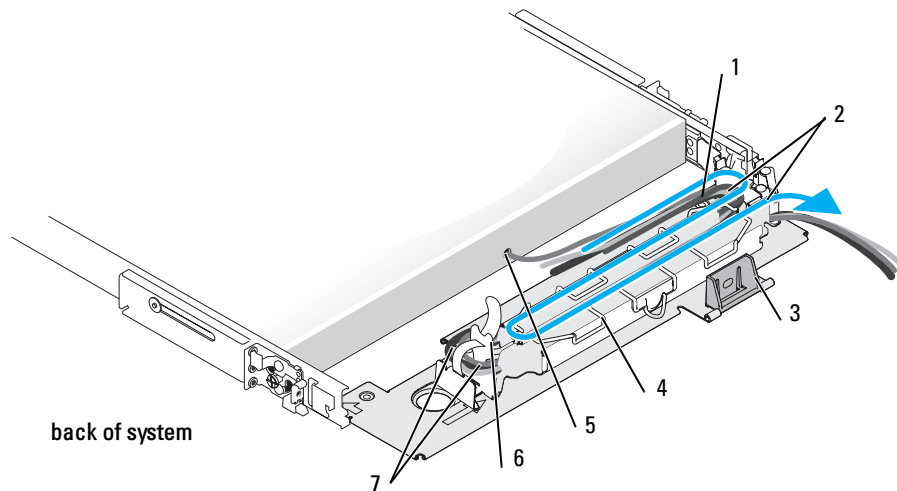


- | | | | | | |
|---|----------------------|---|--------------|---|-------------|
| 1 | mounting rails (2) | 2 | brackets (2) | 3 | latches (2) |
| 4 | cable-management arm | | | | |

Routing Cables


- 1 Open the wire cable basket lid on the top of the cable-management arm, to enable cables to be routed within the arms (see Figure 1-14).

Figure 1-14. Routing Cables on the Cable-Management Arm



- | | | | | | |
|---|------------------------|---|---|---|--------------------------------------|
| 1 | cable-management arm | 2 | preinstalled tie wraps | 3 | cable-management arm retention latch |
| 4 | basket lid | 5 | system status-indicator cable connector | 6 | Velcro strap |
| 7 | preinstalled tie wraps | | | | |

- 2 If applicable, connect the system status-indicator cable to its connector on the system back panel. Route the system status-indicator cable through the cable-management arm and insert the LED end into the slot on the end of the cable-management arm.
- 3 Attach the I/O cable connectors and power cable connectors to their respective connectors on the system back panel.
For details on cable connections, see your system's *Getting Started Guide* or *Hardware Owner's Manual*.
NOTE: Use the strain-relief loops on the back of the power supplies to provide strain relief for the power cables.
- 4 Using the tie-wraps provided in the rack kit, bundle the cables together so that they do not interfere with adjacent systems in the rack.

- 5 Route the cables through the cable-management arm baskets.
- 6 Adjust the cable slack as needed at the hinge position and secure the bundled cables with the vertical Velcro strap (see Figure 1-14).
- 7 Use the preinstalled tie wraps at the inner end and hinge point of the cable-management arm to secure the bundled cables in the cable-management arm channel (see Figure 1-14).
- 8 Close the cable basket lid.
- 9 Unscrew the thumbscrews that secure the front of the system to the front vertical rail.
- 10 Slide the system in and out of the rack to verify that the cables are routed correctly and do not bind, stretch, or interfere with the movement of the cable-management arm. Adjust the cable positioning inside the cable management arm as needed.
 -  **NOTE:** If you pull the system out to its furthest extension, the slide assemblies lock in the extended position. To release the lock, press the slide release latch on the side of the slide and then slide the system into the rack.
- 11 When you are satisfied that the cables are routed correctly, push the system fully into the rack.
- 12 Lift the cable-management arm retention latch on the tray to secure the arm (see Figure 1-14).

Removing the System From the Rack

Removing a System With Sliding Rails

To remove the system from the rack, perform the following procedure:

- 1 Turn off the system and attached peripherals, and disconnect the system from the electrical outlet.
- 2 Remove the I/O cable connectors and power cable connectors from their respective connectors on the system back panel.
- 3 Loosen the thumbscrews on each side of the front chassis panel that secures the system to the rack.
- 4 Pull the system out of the rack until it locks with the rails in the extended position.
- 5 Pull up on the front release latch on each rail (see Figure 1-9) and slide the system forward.
- 6 Pull the system completely out of the rack.

Removing a System With Static Rails


To remove the system from the rack, perform the following procedure:

- 1 Turn off the system and attached peripherals, and disconnect the system from the electrical outlet.
- 2 Loosen the thumbscrews on each side of the front chassis panel that secures the system to the rack.
- 3 Disconnect all cables from the system.
- 4 Pull the system out of the rack until it stops because of the release latches.
- 5 Push down on the release latches on each side of the system (see Figure 1-10).
- 6 Pull the system completely out of the rack.

Two-Post Rack Installation

The two-post rack kit is used to install a system in a two-post, open-frame relay rack, such as those found in telecommunications equipment facilities. Both 7.62-cm or 15.24-cm (3-inch and 6-inch) wide two-post racks with universal hole spacing or wide hole spacing are accommodated. You can install this kit in a center-mount or a flush-mount configuration.

You must properly secure the two-post relay rack to the floor, the ceiling, or upper wall, and where applicable, to adjacent racks, using floor and wall fasteners and bracing specified or approved by the rack manufacturer or by industry standards. See the two-post rack manufacturer's documentation for warnings before attempting this installation.

 **CAUTION:** Do not attempt to install the system into a two-post, open-frame relay rack that has not been securely anchored in place. Damage to the system and personal injury to yourself and to others may result.


Safety Instructions


Use the following safety guidelines to ensure your own personal safety and to help protect your system and working environment from potential damage. For complete safety information, see the *Product Information Guide*.

SAFETY: Rack Mounting of Systems

Observe the following precautions for rack stability and safety. Also refer to the rack installation documentation accompanying the system and the rack for specific caution statements and procedures.

Systems are considered to be components in a rack. Thus, "component" refers to any system as well as to various peripherals or supporting hardware.

 **CAUTION:** After installing system/components in a rack, never pull more than one component out of the rack on its slide assemblies at one time. The weight of more than one extended component could cause the rack to tip over and may result in serious injury.

 **NOTE:** Your system is safety-certified as a free-standing unit and as a component for use in a Dell rack cabinet using the customer rack kit. The installation of your system and rack kit in any other rack cabinet has not been approved by any safety agencies. It is your responsibility to ensure that the final combination of system and rack complies with all applicable safety standards and local electric code requirements. Dell disclaims all liability and warranties in connection with such combinations.

- System rack kits are intended to be installed in a rack by trained service technicians. If you install the kit in any other rack, be sure that the rack meets the specifications of a Dell rack.



CAUTION: Do not move racks by yourself. Due to the height and weight of the rack, a minimum of two people should accomplish this task.

- Always load the rack from the bottom up, and load the heaviest item in the rack first.
- Make sure that the rack is level and stable before extending a component from the rack.
- Use caution when pressing the component rail release latches and sliding a component into or out of a rack; the slide rails can pinch your fingers.
- Do not overload the AC supply branch circuit that provides power to the rack. The total rack load should not exceed 80 percent of the branch circuit rating.
- Ensure that proper airflow is provided to components in the rack.
- Do not step on or stand on any component when servicing other components in a rack.

Before You Begin

Before you begin installing your system in the rack, carefully read "Safety Instructions," found earlier in this guide, as well as the safety instructions found in your *Product Information Guide* for additional information.



CAUTION: When installing multiple systems in a rack, complete all of the procedures for the current system before attempting to install the next system.



NOTE: For instructions on installing the system itself, see "Installing the System in the Rack" on page 37."

Important Safety Information

Observe the safety precautions in the following subsections when installing your system in the rack.



CAUTION: You must strictly follow the procedures in this document to protect yourself as well as others who may be involved. Your system may be very large and heavy and proper preparation and planning are important to prevent injury to yourself and to others. This precaution becomes increasingly important when systems are installed high up in the rack.



CAUTION: Do not install rack kit components designed for another system. Use only the rack kit for your system. Using the rack kit for another system may result in damage to the system and personal injury to yourself and to others.

Recommended Tools and Supplies

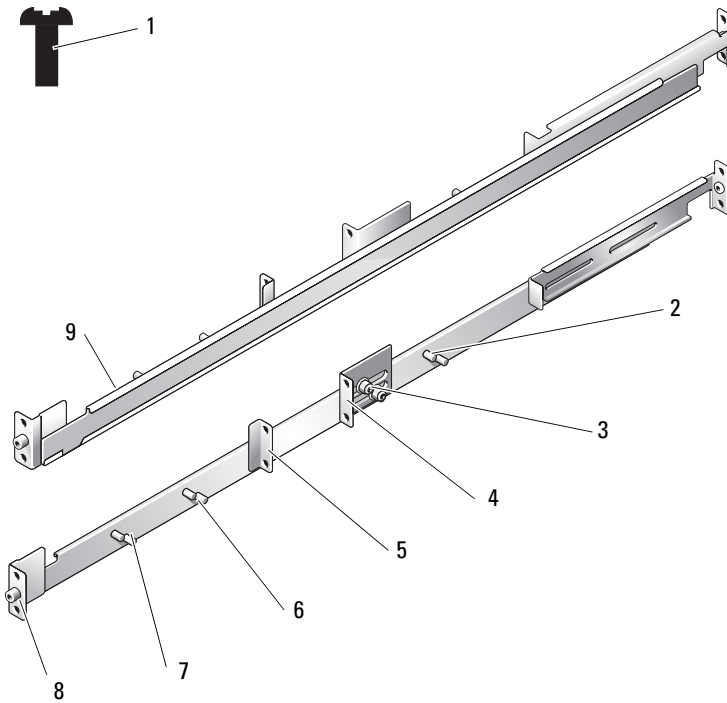
- #2 Phillips screwdriver
- 3/8-inch wrench or nut driver (if changing bracket to flush-mount configuration)
- Masking tape or felt-tip pen to mark the mounting holes

Rack Kit Contents

The two-post rack kit includes (see Figure 2-1):

- One pair of mounting rails
- 12-24 x 0.5-inch pan-head Phillips screws (8)
- Releasable tie wraps (2) (not shown in Figure 2-1)

Figure 2-1. Two-Post Rack Kit Components



1	12-24 x 0.5-inch pan-head Phillips screws (8)	2	15.24-cm (6-inch) wide, center-mount, threaded studs	3	7.62-cm (3-inch) wide, center-mount, threaded studs
4	adjustable mounting flange	5	center-mount mounting flange	6	15.24-cm (6-inch) wide, flush-mount, threaded studs
7	7.62-cm (3-inch) wide, flush-mount, threaded studs	8	flush-mount mounting flange	9	mounting rails (2)

Installation Tasks

Installing a two-post rack kit includes performing the following tasks in order:

- 1 Marking the rack
 - Universal-hole spacing rack
 - Wide-hole spacing rack
- 2 Installing the mounting rails in the rack
 - Center-mount installation
 - Flush-mount installation
- 3 Installing the system in the rack
- 4 Routing cables

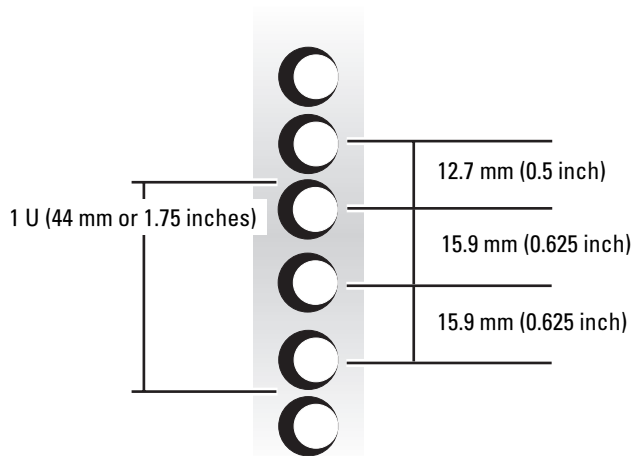
Marking the Rack

You must allow 1 U (44 mm, or 1.75 inch) of vertical space for each system that you install in the two-post rack.

Universal-Hole Spacing Racks

Racks with universal-hole spacing have an alternating pattern of three holes per rack unit with center-to-center hole spacing (beginning at the top hole of a 1-U space) of 15.9 mm, 15.9 mm, and 12.7 mm (0.625 inch, 0.625 inch, and 0.5 inch) for the front and back vertical column of holes (see Figure 2-2).

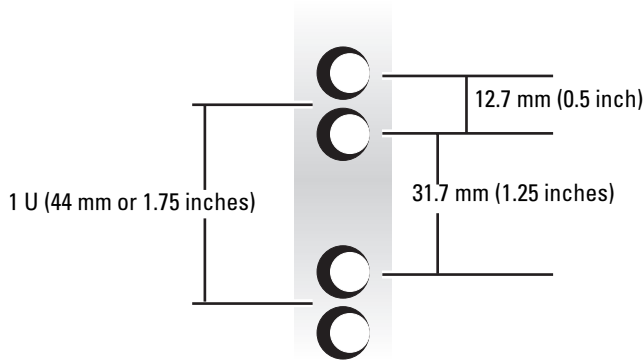
Figure 2-2. Two-Post, Open-Frame Relay Rack Universal-Hole Spacing



Wide-Hole Spacing Racks

Racks with wide-hole spacing have an alternating pattern of two holes per rack unit with center-to-center hole spacing (beginning at the top hole of a 1-U space) of 31.7 mm and 12.7 mm (1.25 inches and 0.5 inch) for the front and back vertical columns of holes (see Figure 2-3).


Figure 2-3. Two-Post, Open-Frame Relay Rack Wide-Hole Spacing



To mark the rack, perform the following steps:


- 1 Place a mark on the rack's front vertical rails where you want to locate the bottom of the system you are installing in the two-post rack.

The bottom of each 1-U space is at the middle of the narrowest metal area between holes.

 **NOTE:** If your rack has wide-hole spacing, go to step 3.

- 2 Place a mark 44 mm (1.75 inches) above the original mark you made (or count up three holes in a rack with universal-hole spacing) (see Figure 2-2).

Each 1 U (44 mm, or 1.75 inches) of vertical space on a rack with universal-hole spacing has three holes with center-to-center spacing between holes (beginning at the top of a 1-U space) of 15.9 mm, 15.9 mm, and 12.7 mm (0.625 inch, 0.625 inch, and 0.5 inch) (see Figure 2-2).

 **NOTE:** If your rack has universal-hole spacing, you have completed the procedure for marking the rack.

- 3 Place a mark 44 mm (1.75 inches) above the original mark you made (or count up to the next hole in the rack with wide-hole spacing) (see Figure 2-3).

Each 1 U (44 mm, or 1.75 inches) of vertical space on a rack with wide-hole spacing has two holes with center-to-center spacing between holes (beginning at the top of a 1-U space) of 31.7 mm (1.25 inches) (see Figure 2-3).

Installing the Mounting Rails

You can install the mounting rails in a two-post, open-frame rack having either universal-hole spacing (see Figure 2-2) or wide-hole spacing (see Figure 2-3). You can install the mounting rails in either a flush-mount or center-mount configuration.



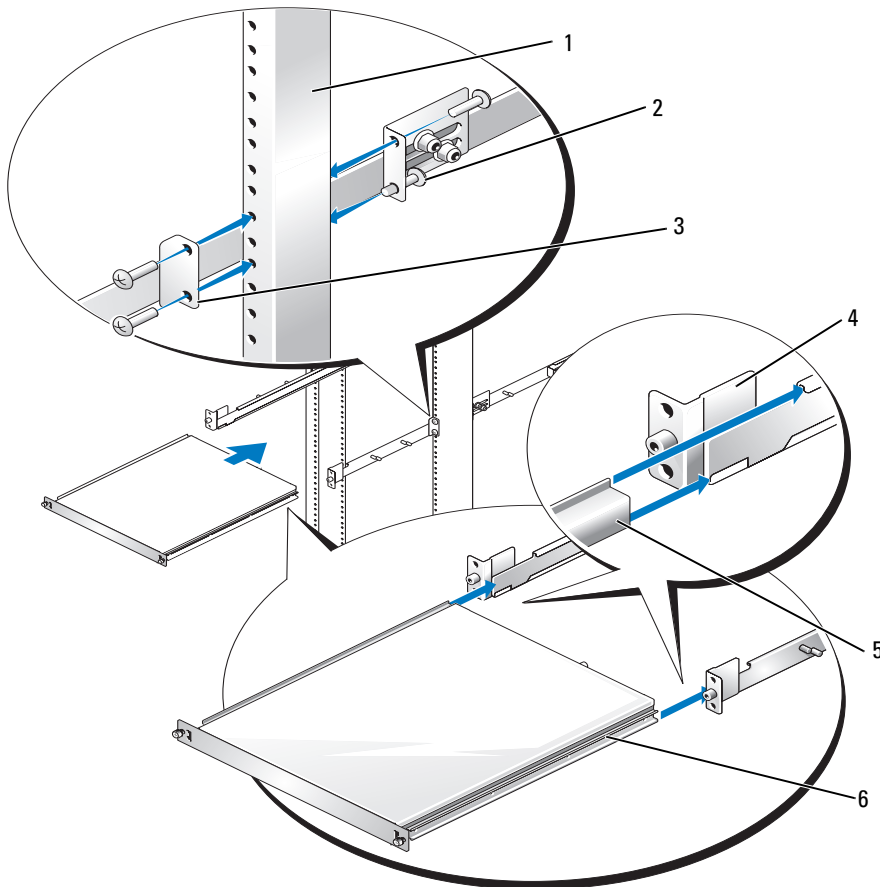
CAUTION: Do not install another system using this rack kit. Use only the rack kit intended for your system. Using the rack kit for another system may result in damage to the system and personal injury to yourself and to others.

Center-Mount Installation

The two-post rack kit is shipped with the brackets configured for a 7.62-cm (3-inch) wide center-mount installation. See Figure 2-1 for mounting rail components. To complete the installation, perform the following steps:

- 1 Locate the right mounting rail and push the adjustable mounting bracket toward the back of the mounting rail (see Figure 2-4).
- 2 Position the right mounting rail in the two-post rack at the location you marked, push the center-mount adjustable mounting bracket forward against the vertical two-post rack, and secure the mounting flange and adjustable mounting bracket to the rack with four 12-24 x 0.5-inch pan-head Phillips screws (see Figure 2-4).
- 3 Repeat step 1 and step 2 to install the left mounting rail in the rack.

Figure 2-4. Installing the Mounting Rails for Center-Mount Configuration



- | | | | | | |
|---|--------------------------|---|--|---|------------------------------|
| 1 | two-post open-frame rack | 2 | 12-24 x 0.5-inch pan-head Phillips screws (4 per rail) | 3 | center-mount mounting flange |
| 2 | mounting rails (2) | 4 | system rails (2) | 6 | release latch |

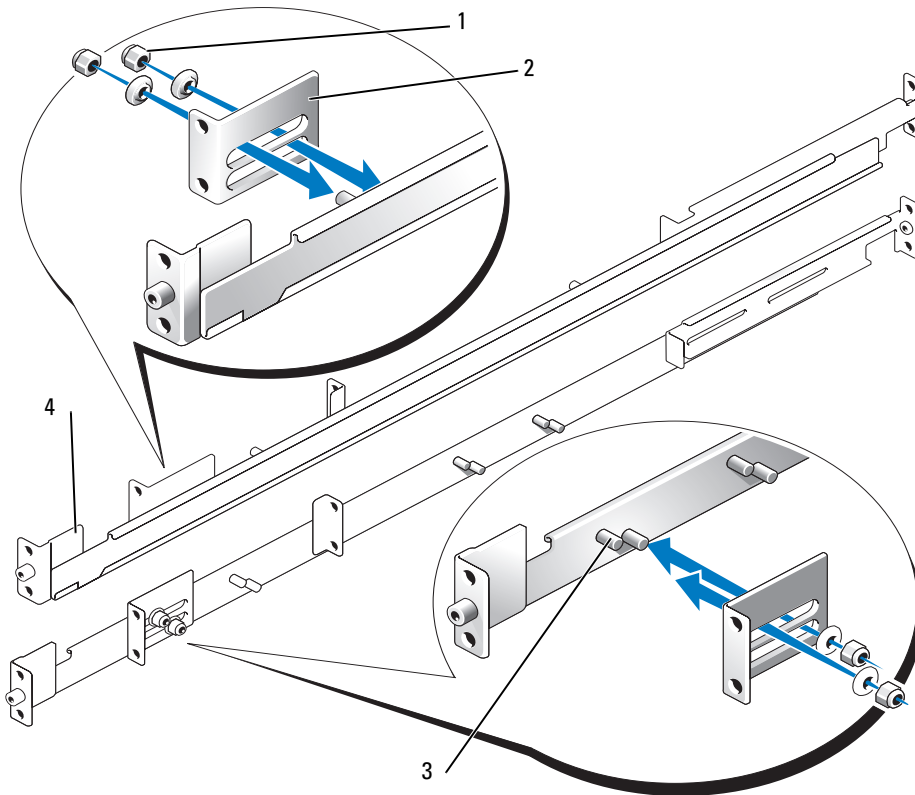
Flush-Mount Installation

The two-post rack kit is shipped with the brackets configured for a 7.62-cm (3-inch) wide center-mount installation. See Figure 2-1 for mounting rail components. To prepare the mounting rails for flush-mount installation in the two-post rack, perform the following steps:

- 1 Locate the two mounting rails and place them side by side on a smooth work surface, with the front ends of the mounting rails toward you (see Figure 2-5).
- 2 Using a 3/8-inch wrench or nut driver, remove two nuts from the adjustable mounting bracket (see Figure 2-5).

- 3 Remove the bracket and then place the bracket on either the 7.62-cm or 15.24-cm (3-inch or 6-inch) wide flush-mount threaded studs (see Figure 2-5).
- 4 Using the two nuts that you removed in step 2, tighten the nuts finger tight to secure the adjustable mounting bracket (see Figure 2-5).
- 5 Repeat step 2 through step 4 to configure the other mounting rail.

Figure 2-5. Configuring the Adjustable Mounting Bracket for Flush-Mount Installation

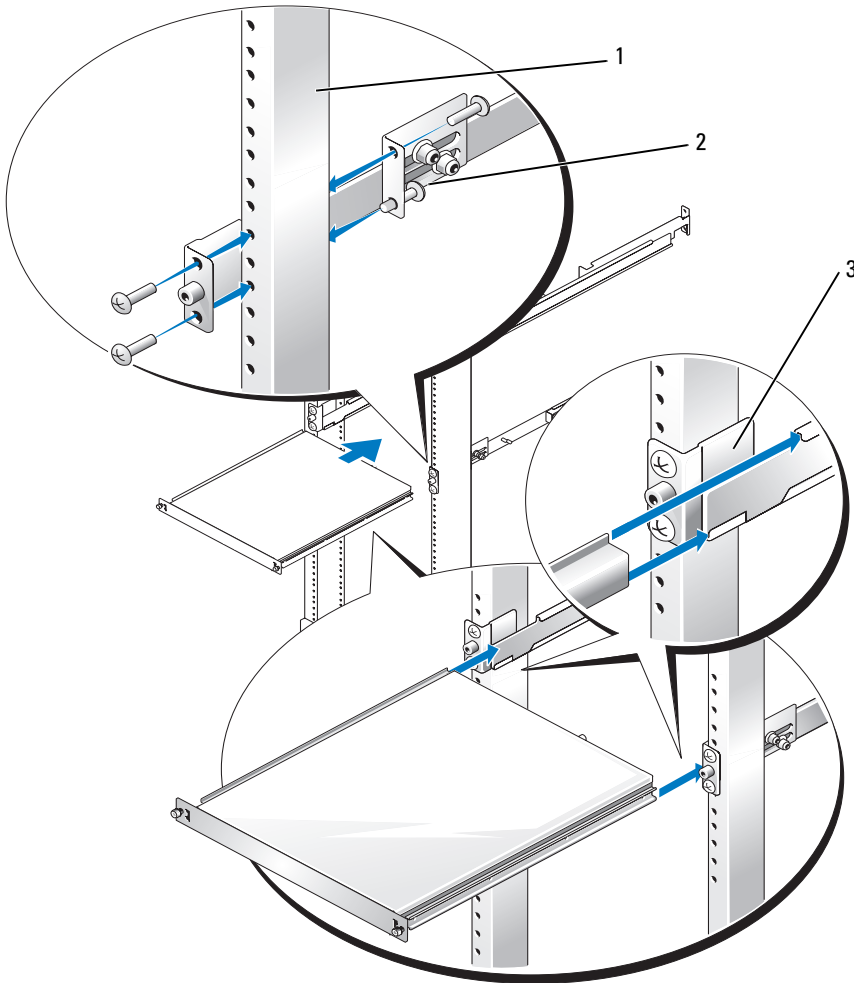


- | | | | | | |
|---|-----------------------------|---|-----------------------------|---|--|
| 1 | nuts (2 per bracket) | 2 | adjustable mounting bracket | 3 | 7.62-cm (3-inch) wide, flush-mount, threaded studs |
| 4 | flush-mount mounting flange | | | | |

- 6 Holding the left mounting rail at the location you marked, position the flush-mount mounting flange against the front of the vertical two-post rack and secure it to the two-post rail with two 12-24 x 0.5-inch pan-head Phillips screws (see Figure 2-6).

- 7 Slide the adjustable-mounting bracket so that it is against the back of vertical two-post rack and secure it to the two-post rail with two 12-24 x 0.5-inch pan-head Phillips screws (see Figure 2-6).
- 8 Repeat step 6 and step 7 to install the right mounting rail in the rack.
- 9 Using a 3/8-inch wrench or nut driver, tighten the nuts on the adjustable mounting brackets on both mounting rails.

Figure 2-6. Installing the Mounting Rails for Flush-Mount Configuration



1 two-post open-frame rack

2 12-24 x 0.5-inch pan-head
Phillips screws (4 per rail)

3 mounting rails (2)

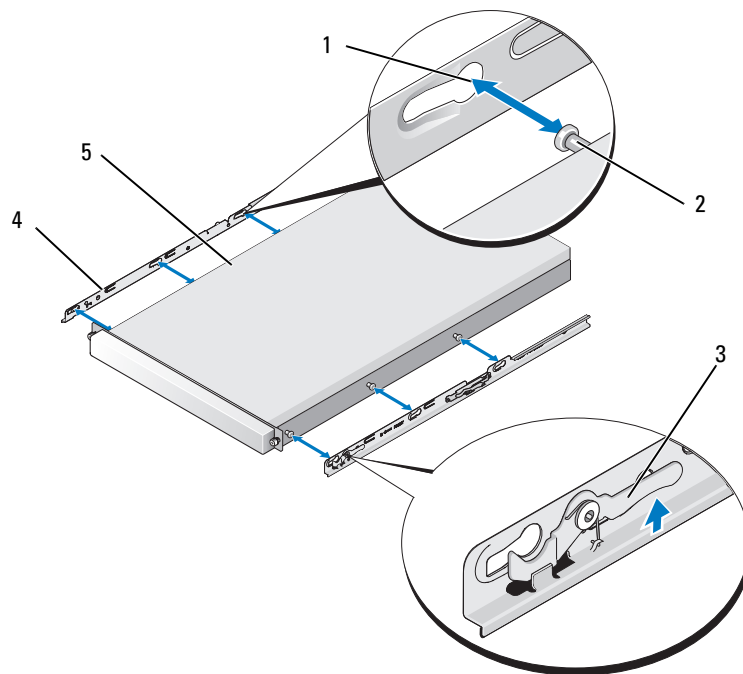
Installing Chassis Static Rail Modules

NOTE: You do not need to remove the optional front bezel to install or remove the chassis static rail modules from the chassis.

- 1 To install a rail module, locate the three keyhole slots on the rail module and the corresponding shoulder screws on the side of the system (see Figure 2-7).
- 2 Place the rail module against the side of the system so that the shoulder screws fit through the round portion of the keyhole slots, then slide the module towards the back of the system.
- 3 Repeat steps 1 and 2 to install the other rail module.

To remove a rail module from the chassis, pull up on the release latch, then slide the rail forward and remove the rail module from the chassis.

Figure 2-7. Installing and Removing Static Rail Chassis Modules




1 keyhole slots (6)
4 rail modules (2)

2 shoulder screws (6)
5 system

3 release latch

Installing the System in the Rack

 **CAUTION:** If you are installing more than one system, install the first system in the lowest available position in the rack.

- 1 Place one hand on the front-bottom of the system and the other hand on the back-bottom of the system.
- 2 Lift the system into position so that the side rails at the back of the system are aligned with the mounting rails in the rack.

 **CAUTION:** Because of the size and weight of the system, never attempt to install the system in the mounting rails by yourself.

- 3 Push the system into the mounting rails until the system stops.
- 4 Push in and turn the thumbscrews on each side of the front chassis panel to secure the system to the rack.

Removing the System From the Rack

To remove the system from the rack, perform the following procedure:

- 1 Turn off the system and attached peripherals, and disconnect the system from the electrical outlet.
- 2 Loosen the thumbscrews on each side of the front chassis panel that secures the system to the rack.
- 3 Disconnect all cables from the system.
- 4 Pull the system out of the rack until it stops because of the release latches.
- 5 Push down on the release latches on each side of the system (see Figure 1-10).
- 6 Pull the system completely out of the rack.

Index

C

- cable routing, 24
- cable tray, installing, 22
- cable-management arm
 - installing, 22
 - routing cables, 25
- cables, 25
- center-mount
 - configuration, 32
- contents listed
 - two-post rack kit, 29
 - VersaRails kit, 8-9

D

- doors
 - removing, 10
 - replacing, 22

F

- flush-mount
 - configuration, 33
- four-post rack
 - removing system, 25, 37
- four-post rack kit
 - tools and supplies, 7
 - VersaRails kit contents, 8-9

I

- installing
 - cable tray, 22
 - cable-management arm, 22
 - four-post rack kit, 15
 - RapidRails mounting rails, 15
 - static rail modules, 14, 36
 - system in four-post rack,
 - 18, 37
 - two-post rack kit, 27
 - two-post rack mounting rails, 32-33
 - VersaRails mounting rails,
 - 14, 17, 19, 36

K

- kit contents
 - two-post rack, 29
 - VersaRails, 8-9, 21

M

- marking rack
 - four-post rack kit, 10
 - two-post rack kit, 30-31

R

- rack mount precautions, 6, 28
- rack requirements
 - for VersaRails, 7

- rack stabilizer feet, 7
- rack unit, 11
 - removing system
 - four-post rack, 25, 37
 - replacing rack doors, 22
 - routing cables, 24

S

- safety instructions, 5, 27
- stabilizer feet, 7

T

- tools and supplies
 - four-post rack kit, 7
 - two-post rack kit, 28
- two-post rack kit
 - installing mounting rails, 32
 - kit contents, 29
 - marking rack, 30
 - tools and supplies, 28

V

- VersaRails
 - installing, 14, 17, 19, 36
 - kit contents, 8-9, 21
- vertical rails
 - marking, 10
 - one rack unit, 11

Guide d'installation du rack

Remarques, avis et précautions



REMARQUE : une REMARQUE indique des informations importantes qui peuvent vous aider à mieux utiliser votre ordinateur.



AVIS : un AVIS vous avertit d'un risque de dommage matériel ou de perte de données et vous indique comment éviter le problème.



PRÉCAUTION : une PRÉCAUTION indique un risque potentiel d'endommagement du matériel, de blessure corporelle ou de mort.

Les informations contenues dans ce document peuvent être modifiées sans préavis.

© 2005 Dell Inc. Tous droits réservés.

La reproduction de ce document de quelque manière que ce soit sans l'autorisation écrite de Dell Inc. est strictement interdite.

Marques utilisées dans ce document : *Dell*, le logo *DELL*, *RapidRails* et *VersaRails* sont des marques de Dell Inc.

Tous les autres noms de marques et marques commerciales utilisés dans ce document se rapportent aux sociétés propriétaires des marques et des noms de ces produits. Dell Inc. décline tout intérêt dans l'utilisation des marques déposées et des noms de marques ne lui appartenant pas.

Sommaire

1	Installation dans un rack à quatre montants	45
	Consignes de sécurité	45
	SÉCURITÉ : Montage en rack des systèmes	45
	Consignes générales d'installation	46
	Avant de commencer	46
	Informations importantes concernant la sécurité	47
	Spécifications de rack requises pour les rails VersaRails	47
	Pieds stabilisateurs du rack	47
	Outils et fournitures recommandés	47
	Contenu du kit pour rack avec rails coulissants	47
	Contenu du kit pour rack avec rails statiques	49
	Tâches d'installation	50
	Retrait des portes du rack	50
	Marquage du rack	50
	Configuration des assemblages à glissière (kits avec rails coulissants uniquement)	53
	Installation des modules de rails statiques pour le châssis (kits avec rails statiques uniquement)	54
	Installation des rails de montage dans le rack	55
	Installation du système dans l'armoire rack	58
	Installation d'un système avec des rails coulissants	58
	Installation d'un système avec des rails statiques	59
	Remise en place des portes du rack	62
	Installation du chemin de câbles et du passe-câbles (kits avec rails coulissants uniquement)	62
	Installation du chemin de câbles	62
	Installation du passe-câbles	63
	Acheminement des câbles	64
	Retrait du système de l'armoire rack	65
	Retrait d'un système avec rails coulissants	65
	Retrait d'un système avec rails statiques	66

2	Installation dans un rack à deux montants	67
	Consignes de sécurité	67
	SÉCURITÉ : Montage en rack des systèmes	67
	Avant de commencer.	68
	Informations importantes concernant la sécurité	68
	Outils et fournitures recommandés.	68
	Contenu du kit de rack	69
	Tâches d'installation	70
	Marquage du rack	70
	Rack doté de trous à espacement universel	70
	Rack doté de trous à espacement large	71
	Installation des rails de montage	72
	Montage central	72
	Montage encastré	73
	Installation des modules de rails statiques pour le châssis	76
	Installation du système dans l'armoire rack	77
	Retrait du système de l'armoire rack	77
	Index	79

Installation dans un rack à quatre montants


Consignes de sécurité

Respectez les consignes de sécurité de ce guide pour assurer votre sécurité personnelle et pour contribuer à protéger votre système et votre environnement de travail de dommages potentiels. Pour obtenir toutes les informations concernant la sécurité et les réglementations, consultez le *Guide d'informations sur le produit* fourni avec le système. Vous pouvez trouver des informations sur la garantie soit dans ce document, soit dans un document à part.


SÉCURITÉ : Montage en rack des systèmes

Pour la stabilité du rack et pour votre sécurité, respectez les précautions suivantes. Reportez-vous également à la documentation accompagnant le système et le rack pour connaître les mises en garde et les procédures spécifiques.


Les systèmes sont considérés comme étant les composants d'un rack. Le terme “composant” fait donc référence à un système mais aussi aux différents périphériques ou matériels associés.

 **PRÉCAUTION** : avant d'installer des systèmes dans un rack autonome, installez d'abord les pieds stabilisateurs avant et latéraux. Pour plusieurs racks associés, installez d'abord les pieds stabilisateurs avant. L'installation de systèmes dans un rack non équipé de pieds stabilisateurs peut provoquer son basculement et entraîner des blessures. Installez toujours les pieds stabilisateurs du rack avant d'ajouter des composants dans celui-ci.

Après avoir installé un système ou des composants dans un rack, ne faites jamais coulisser hors du rack plus d'un composant à la fois. Le poids de plusieurs composants sortis du rack risquerait de le faire basculer et de blesser quelqu'un gravement.

 **REMARQUE** : le système est certifié sur le plan de la sécurité en tant qu'unité autonome et en tant que composant destiné à être utilisé dans une armoire rack Dell, à l'aide du kit de rack client. L'installation du système et du kit d'installation en rack dans une autre armoire n'a reçu aucune homologation des organismes de certification de la sécurité. Il vous incombe de veiller à ce que la combinaison finale système et rack soit conforme à toutes les normes de sécurité en vigueur, ainsi qu'aux normes électriques locales. Dell décline toute responsabilité et toutes garanties liées à ce type de combinaisons.

- Les kits de rack doivent être installés par des techniciens de maintenance qualifiés. Si vous installez ce kit dans un autre rack, assurez-vous que ce dernier possède les mêmes spécifications qu'un rack Dell.

 **PRÉCAUTION** : ne déplacez pas de rack sans aide. En raison de la hauteur et du poids du rack, cette tâche doit être réalisée par deux personnes au minimum.

- Avant de travailler sur le rack, vérifiez que les pieds stabilisateurs sont fixés au rack, qu'ils touchent le sol et que tout le poids du rack repose sur le sol. Avant d'intervenir sur un rack isolé, installez d'abord les pieds stabilisateurs avant et latéraux. Pour plusieurs racks associés, installez d'abord les pieds stabilisateurs avant.
- Chargez le rack du bas vers le haut, en plaçant toujours l'élément le plus lourd en premier.
- Assurez-vous que le rack est d'aplomb et stable avant de tirer un composant hors de son compartiment.
- Agissez avec précaution lorsque vous appuyez sur les loquets de dégagement des rails pour insérer ou retirer un composant. Veillez notamment à ne pas coincer vos doigts dans les rails coulissants.
- Ne surchargez pas le circuit d'alimentation secteur du rack. La consommation totale du rack ne doit pas dépasser 80 % de la capacité du circuit.
- Assurez-vous que les éléments installés dans le rack sont suffisamment ventilés.
- Ne montez pas sur un composant lorsque vous intervenez sur d'autres composants du rack.

Consignes générales d'installation

Ce guide d'installation s'adresse à des techniciens de maintenance qualifiés. Il contient les instructions relatives à l'installation d'un ou de plusieurs systèmes dans une armoire rack. Le kit RapidRails™ peut être installé sans outils dans toutes les armoires rack du fabricant du système ; le kit VersaRails™ peut être installé dans la plupart des armoires rack standard. La procédure d'installation des kits RapidRails et VersaRails est similaire. Un kit d'installation est nécessaire pour chaque système.


Cette section contient les procédures d'installation des kits suivants pour racks à quatre montants :


- Kit pour rack avec rails coulissants
- Kit pour rack avec rails statiques (versions RapidRails et VersaRails)

Voir “Installation dans un rack à deux montants”, à la page 67 pour obtenir les instructions d'installation d'un kit de rails statiques dans un rack à deux montants.

Avant de commencer

Avant de commencer à installer le système dans le rack, lisez attentivement la section “Consignes de sécurité”, ainsi que les consignes de sécurité figurant dans le *Guide d'informations sur le produit* pour plus d'informations.


 **PRÉCAUTION** : si vous installez plusieurs systèmes dans un rack, terminez toutes les opérations requises sur le système en cours d'installation avant de passer au suivant.


 **PRÉCAUTION** : les racks peuvent être extrêmement lourds, mais se déplacent assez facilement sur leurs roulettes. Cependant, les armoires ne possèdent pas de système de freinage. Procédez avec la plus grande prudence pour déplacer une armoire rack. Rentrez ses pieds réglables lorsque vous la changez d'emplacement. Évitez de déplacer le rack le long de rampes ou de plans inclinés trop longs ou trop abrupts, sur lesquels l'armoire pourrait vous échapper. Ressortez les pieds réglables lorsque l'armoire doit être soutenue ou pour lui éviter de glisser sur ses roulettes.

 **REMARQUE** : pour plus d'informations sur l'installation du système proprement dit, voir “Installation du système dans l'armoire rack”, à la page 58.


Informations importantes concernant la sécurité

Respectez les précautions décrites dans les sous-sections suivantes lors de l'installation du système dans le rack.

 **PRÉCAUTION** : vous devez respecter à la lettre les procédures de ce document afin de garantir votre propre protection ainsi que celle d'autrui. Le système peut être très lourd et volumineux. Une préparation et une planification adéquates sont donc importantes afin d'éviter tout risque de blessure pour vous-même ou autrui. Ces précautions sont d'autant plus importantes lorsque les systèmes sont installés en hauteur.

 **PRÉCAUTION** : n'installez pas de kits prévus pour un autre système. Sinon, vous risquez d'endommager le système et de vous blesser ou de blesser une autre personne.

Spécifications de rack requises pour les rails VersaRails

 **AVIS** : le kit VersaRails est prévu pour être installé par des techniciens de maintenance qualifiés dans un rack conforme aux spécifications des organismes suivants : American National Standards Institute (ANSI)/Electronic Industries Association (EIA) standard ANSI/EIA-310-D-92, International Electrotechnical Commission (IEC) 297 et Deutsche Industrie Norm (DIN) 41494. Un kit est nécessaire pour chaque système installé dans un rack.

Pieds stabilisateurs du rack

 **PRÉCAUTION** : avant d'installer des systèmes dans un rack autonome, installez d'abord les pieds stabilisateurs avant et latéraux. Pour plusieurs racks associés, installez d'abord les pieds stabilisateurs avant. L'installation de systèmes dans un rack non équipé de pieds stabilisateurs peut provoquer son basculement et entraîner des blessures. Installez toujours les pieds stabilisateurs du rack avant d'ajouter des composants dans celui-ci.

Les pieds stabilisateurs évitent au rack de basculer. Consultez la documentation fournie avec l'armoire rack pour savoir comment installer et fixer les pieds stabilisateurs.

Outils et fournitures recommandés

Les outils et fournitures suivants peuvent être nécessaires pour installer le système dans un rack à quatre montants :

- Tournevis cruciforme n°2
- Une bande adhésive ou un stylo feutre, pour marquer les trous de montage à utiliser

Contenu du kit pour rack avec rails coulissants

- Une paire d'assemblages à glissière (convertible en configuration RapidRails ou VersaRails)
- Un passe-câbles
- Un chemin de câbles
- Un câble de voyant d'état (le cas échéant)
- Des fixe-câbles pour attacher les cordons sur le passe-câbles
- Huit vis cruciformes à tête plate 10-32 x 0,5 pouce (utilisées dans la configuration VersaRails uniquement)


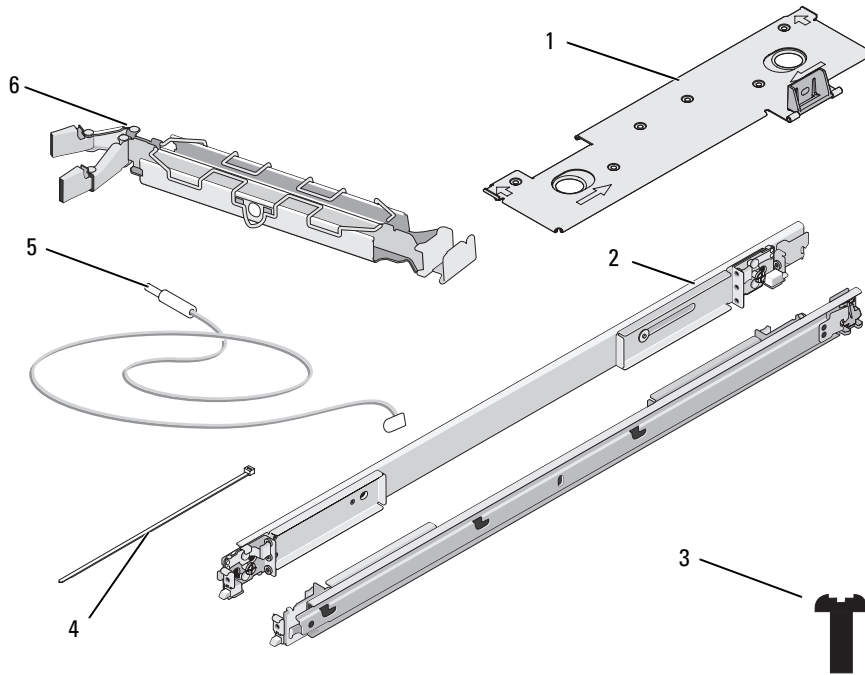
 **REMARQUE** : les vis au pas non métrique décrites dans les illustrations et dans les procédures sont identifiées par la taille et le nombre de filets par pouce. Par exemple, une vis à tête cruciforme n° 10 avec 32 filets par pouce est désignée par l'appellation vis 10-32.

Figure 1-1. Contenu du kit pour rack avec rails coulissants



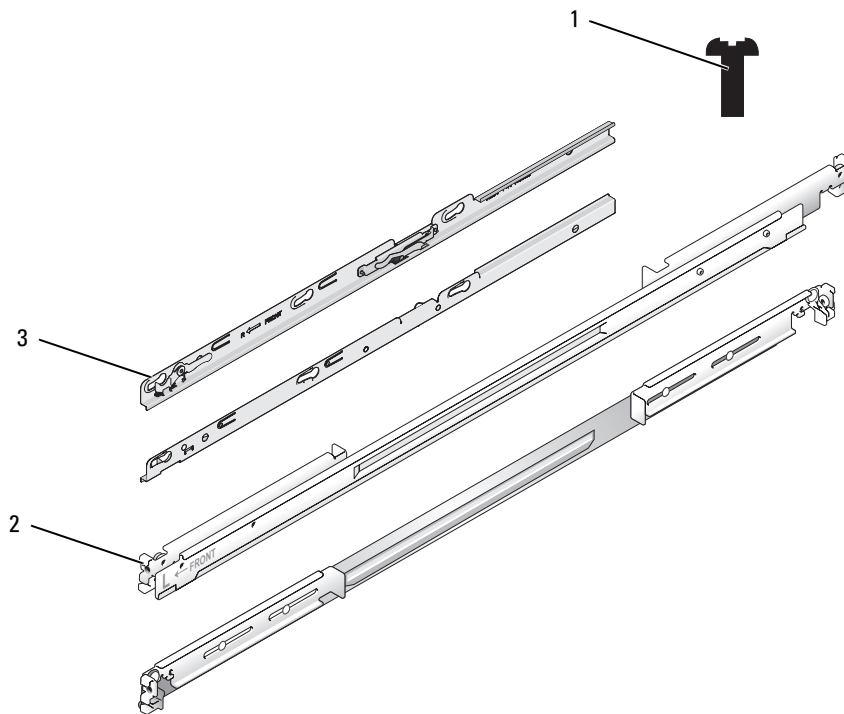
- | | | | | | |
|---|------------------|---|--|---|---|
| 1 | Chemin de câbles | 2 | Assemblages à glissière (2) | 3 | Vis cruciformes à tête plate
10-32 x 0,5 pouce (8)
(configuration VersaRails
uniquement) |
| 4 | Fixe-câbles | 5 | Câble du voyant d'état
(le cas échéant) | 6 | Passe-câbles |

Contenu du kit pour rack avec rails statiques

- Une paire de rails de montage statiques avec supports VersaRails ou RapidRails
- Une paire de modules de rails statiques pour le châssis
- Huit vis cruciformes à tête plate 10-32 x 0,5 pouce (kits VersaRails uniquement)
- Fixe-câbles détachables (2) (non représentés figure 1-2)

REMARQUE : les vis au pas non métrique décrites dans les illustrations et dans les procédures sont identifiées par la taille et le nombre de filets par pouce. Par exemple, une vis à tête cruciforme n° 10 avec 32 filets par pouce est désignée par l'appellation vis 10-32.

Figure 1-2. Contenu du kit pour rack avec rails statiques



1 Vis cruciformes à tête plate
10-32 x 0,5 pouce (8)
(kits VersaRails uniquement)

2 Rails de montage statiques (2)

3 Modules de rails statiques
pour le châssis (2)

Tâches d'installation

Pour installer un kit, vous devez effectuer dans l'ordre indiqué les tâches suivantes, décrites plus loin dans ce guide :

- 1 Retrait des portes du rack
- 2 Marquage du rack
- 3 Configuration des assemblages de rails coulissants (kits avec rails coulissants uniquement)
- 4 Installation des modules de rails statiques pour le châssis (kits avec rails statiques uniquement)
- 5 Installation des rails de montage dans le rack
- 6 Installation du système dans l'armoire rack
- 7 Installation du chemin de câbles et du passe-câbles (kits avec rails coulissants uniquement)
- 8 Acheminement des câbles
- 9 Remise en place des portes du rack

Retrait des portes du rack

Consultez les procédures de retrait des portes dans la documentation fournie avec votre armoire rack.

 **PRÉCAUTION** : compte tenu de leur poids et de leur taille, ne retirez ou n'installez jamais les portes sans l'assistance d'une autre personne.

 **PRÉCAUTION** : placez les deux portes dans un endroit sûr où elles ne risquent pas de tomber accidentellement et de blesser quelqu'un.

Marquage du rack

Pour un système de 1 U, vous devez compter un espace vertical de 44 mm (soit 1,75 pouces) pour chaque système installé dans le rack.

Les racks conformes aux normes EIA-310 comportent des séries alternées de trois trous par unité. L'espacement entre les trous, mesuré de centre à centre (en commençant par le trou supérieur) est respectivement de 15,9 mm, 15,9 mm et 12,7 mm (0,625 pouce, 0,625 pouce et 0,5 pouce) pour les rails verticaux avant et arrière (voir la figure 1-3). Les armoires rack peuvent comporter des trous ronds ou carrés.


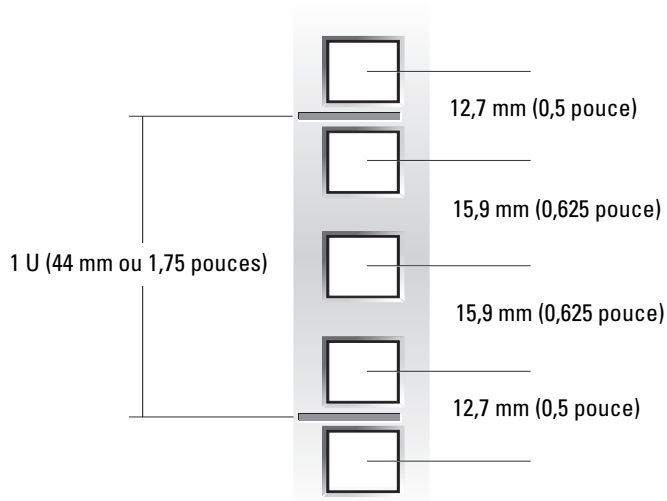
 **REMARQUE** : les rails verticaux peuvent être marqués par des lignes horizontales et des chiffres progressant par incréments de 1 U. Si vous le souhaitez, vous pouvez noter le numéro figurant sur le rail vertical du rack. Dans ce cas, il n'est pas nécessaire de marquer le rack ou d'y apposer un morceau de bande adhésive.

Figure 1-3. Unité de rack



⚠ PRÉCAUTION : si vous installez plusieurs systèmes, placez les rails de montage de façon que le premier système soit disposé le plus bas possible dans le rack.

Pour marquer le rack, procédez comme suit :

- 1 Placez une marque (ou de la bande adhésive) sur les rails verticaux avant du rack, à l'endroit correspondant au bas du système à installer.

Le bas de chaque espace de 1 U se trouve au milieu de la zone métallique la plus étroite entre les trous (repérée par une ligne horizontale sur certaines armoires rack ; voir la figure 1-4).

- 2 Placez une marque à environ 44 mm (1,75 pouces) au-dessus de la marque que vous avez faite au départ (ou remontez de 3 trous dans les racks de type EIA-310), puis marquez les rails verticaux du rack avec un stylo feutre ou de la bande adhésive (si vous avez compté les trous, placez une marque juste au-dessus du trou supérieur). Cette marque ou ce morceau de bande adhésive indique l'emplacement du rebord supérieur du système sur les rails verticaux (voir la figure 1-4).


Figure 1-4. Marquage des rails verticaux



1 Marques sur le rail vertical (2)

Configuration des assemblages à glissière (kits avec rails coulissants uniquement)

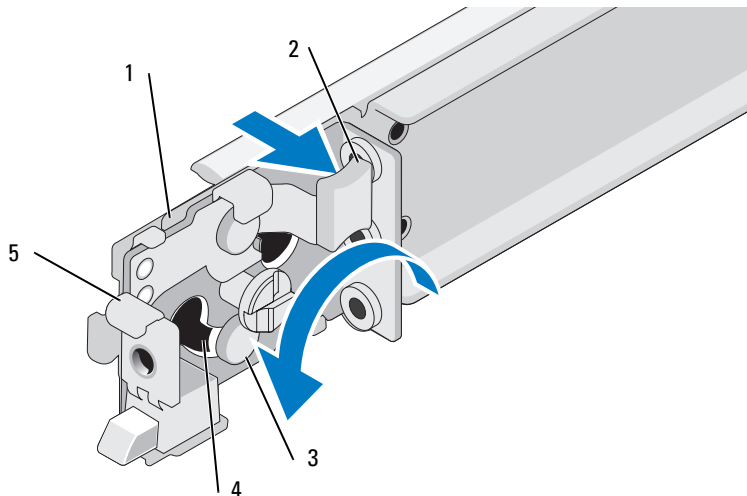
Les rails coulissants disposent d'un support de montage rotatif situé à chacune de leurs extrémités. La position de ce support détermine si le rail est utilisé en configuration RapidRails ou VersaRails. Le côté RapidRails du support est équipé d'un crochet et d'un loquet qui le fixe au rail vertical. Le côté VersaRails du support comporte trois trous. Le support est alors fixé au rail vertical par des vis.

 **REMARQUE** : les assemblages à glissière fournies avec le kit sont configurées en RapidRails.

Pour faire pivoter le support de montage et passer en configuration VersaRails (voir la figure 1-5), procédez comme suit :

- 1 Relevez le levier d'éjection du support de montage rotatif.
- 2 Faites pivoter le support puis faites-le glisser vers le haut pour le dégager des deux picots.
- 3 Continuez de faire pivoter le support à 180 degrés jusqu'à ce que les picots s'insèrent dans les encoches.
- 4 Faites pivoter le support dans la direction opposée pour l'emboîter dans les picots.

Figure 1-5. Changement de la position du support de montage rotatif



- | | | | | | |
|---|-----------------|---|--|---|------------|
| 1 | Support rotatif | 2 | Levier d'éjection | 3 | Picots (2) |
| 4 | Encoches (2) | 5 | Collerette du support de montage
(configuration RapidRails) | | |

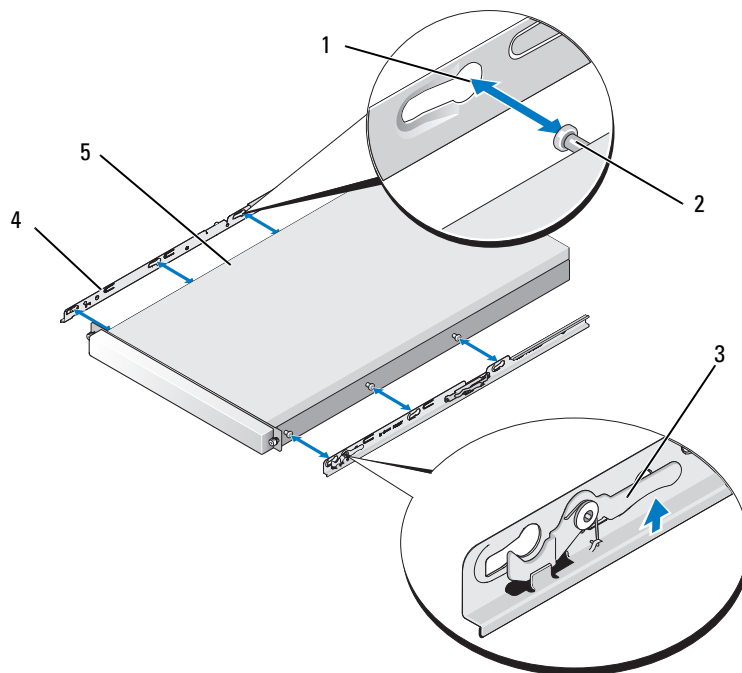
Installation des modules de rails statiques pour le châssis (kits avec rails statiques uniquement)

REMARQUE : il n'est pas nécessaire de retirer le cadre avant fourni en option pour installer ou retirer les modules de rails statiques du châssis.

- 1 Pour installer un module de rails, repérez les trois orifices en trou de serrure sur le module, ainsi que les vis à épaulement correspondantes sur le côté du système (voir la figure 1-6).
- 2 Placez le module de rail contre le côté du système de façon que les vis à épaulement s'emboîtent dans la partie ronde des trous de serrure. Faites ensuite glisser le module vers l'arrière du système.
- 3 Recommencez les étapes 1 et 2 pour installer l'autre module de rail.

Pour retirer un module de rail du châssis, relevez le loquet de dégagement et tirez le rail vers l'avant.

Figure 1-6. Installation et retrait des modules de rails statiques pour le châssis



- | | | | | | |
|---|---------------------------------|---|----------------------|---|----------------------|
| 1 | Orifices en trou de serrure (6) | 2 | Vis à épaulement (6) | 3 | Loquet de dégagement |
| 4 | Modules de rails (2) | 5 | Système | | |

Installation des rails de montage dans le rack

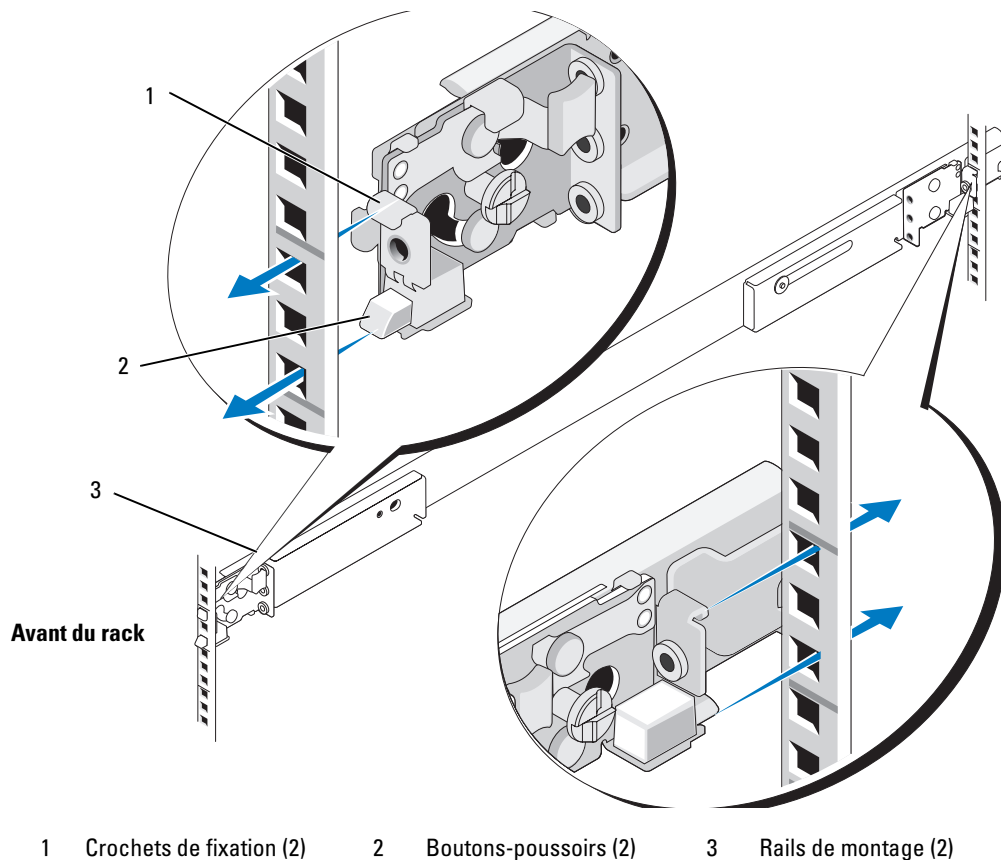
REMARQUE : les instructions suivantes s'appliquent à la fois aux rails de montage statiques et aux rails coulissants.

Installation des rails de montage RapidRails

- 1 À l'avant du rack, positionnez l'un des rails de façon que la collerette du support de montage s'insère entre les marques, les morceaux de bande adhésive ou les emplacements numérotés sur les rails verticaux (section Marquage du rack). Voir la figure 1-7.

Le crochet de fixation supérieur de la collerette avant du support de montage doit pénétrer dans le trou supérieur, situé entre les marques faites sur les rails verticaux.

Figure 1-7. Installation des rails de montage RapidRails



- 2 Poussez le rail vers l'avant jusqu'à ce que le crochet de fixation soit positionné dans le trou carré, puis appuyez sur la collerette du support de montage jusqu'à ce que le crochet se mette en place et que le bouton-poussoir ressorte dans le trou carré inférieur (voir la figure 1-7).
- 3 À l'arrière de l'armoire, tirez la collerette du support de montage vers l'arrière jusqu'à ce que le crochet soit positionné dans le trou carré du haut, puis appuyez sur la collerette jusqu'à ce que le crochet se mette en place et que le bouton-poussoir ressorte dans le trou carré inférieur.
- 4 Recommencez la procédure, de l'étape 1 à l'étape 3, pour le rail de montage situé de l'autre côté du rack.
- 5 Vérifiez que les rails de montage sont montés à la même position verticale de chaque côté du rack.

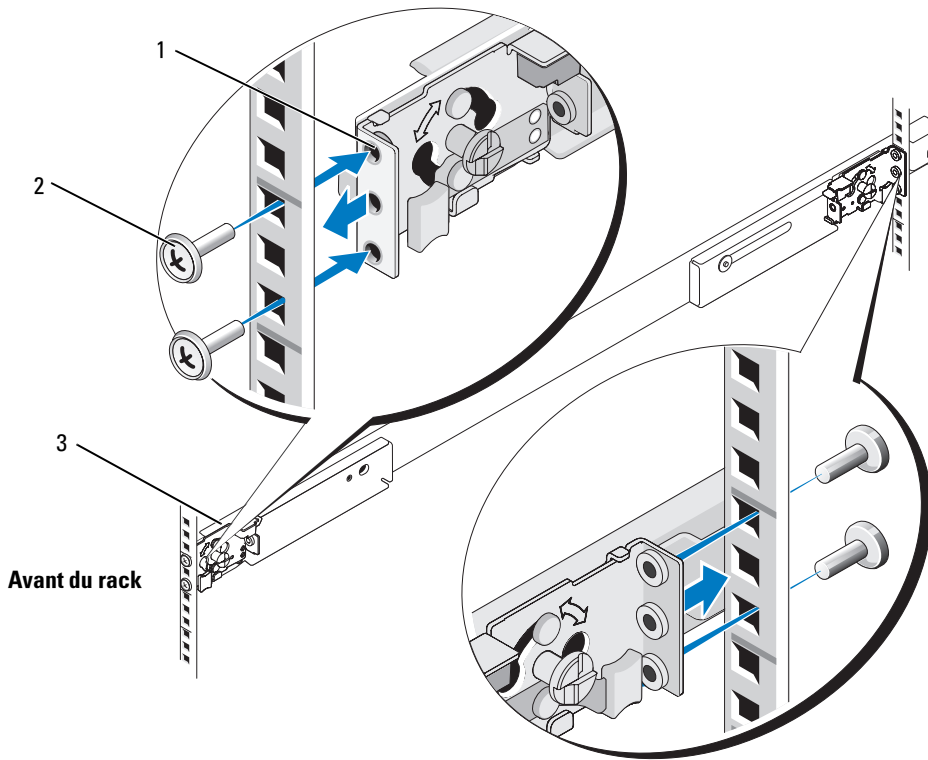
Installation des rails de montage VersaRails

- 1 À l'avant du rack, positionnez l'un des rails de façon que la collerette du support de montage s'insère entre les marques, les morceaux de bande adhésive ou les emplacements numérotés sur les rails verticaux (section Marquage du rack). Voir la figure 1-8.

Les trois trous situés à l'avant de la collerette du support de montage doivent s'aligner avec ceux qui se trouvent entre les marques que vous avez faites sur le rail vertical avant.

- 2 Insérez deux vis cruciformes 10-32 x 0,5 pouce dans les trous supérieur et inférieur de la collerette du support de montage pour fixer le rail de montage sur le rail vertical avant.
- 3 À l'arrière de l'armoire, tirez sur la collerette du support de montage jusqu'à ce que les trous de montage s'alignent avec les trous correspondants du rail vertical arrière.
- 4 Insérez deux vis cruciformes 10-32 x 0,5 pouce dans les trous supérieur et inférieur de la collerette du support de montage pour fixer le rail de montage sur le rail vertical arrière.
- 5 Recommencez la procédure de l'étape 1 à l'étape 4, pour le rail de montage situé de l'autre côté du rack.
- 6 Vérifiez que les rails sont montés à la même hauteur sur les rails verticaux de chaque côté du rack.

Figure 1-8. Installation des rails de montage VersaRails



- | | | | | | |
|---|----------------------------------|---|--|---|----------------------|
| 1 | Collerette du support de montage | 2 | Vis cruciformes à tête plate 10-32 x 0,5 pouce (4 par rail de montage) | 3 | Rails de montage (2) |
|---|----------------------------------|---|--|---|----------------------|

Installation du système dans l'armoire rack

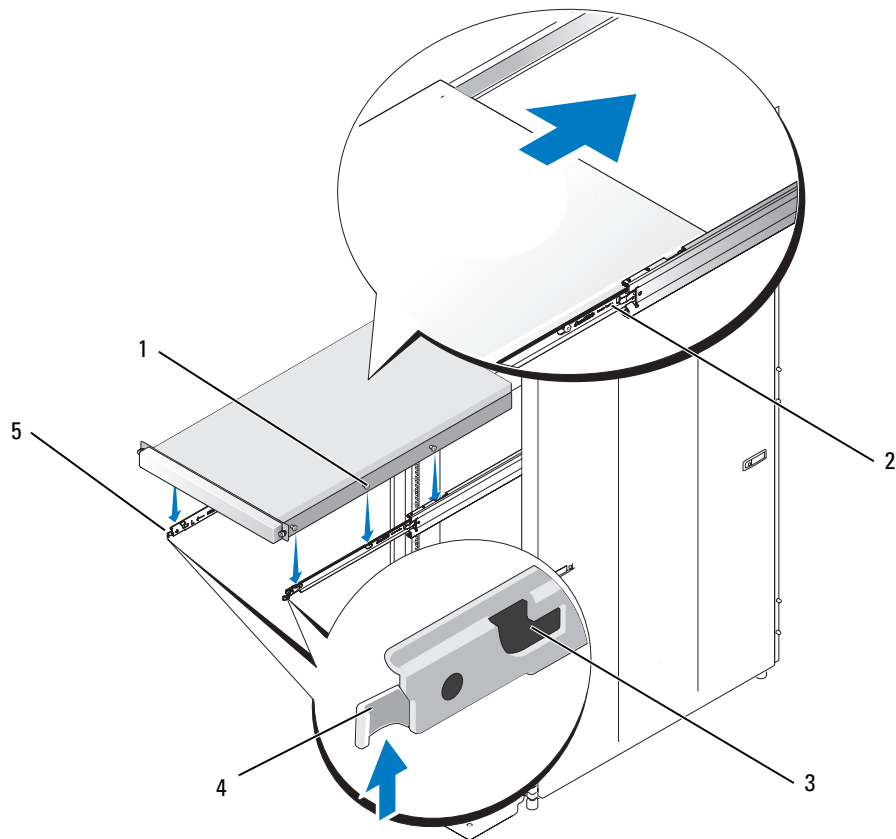
 **PRÉCAUTION** : si vous installez plusieurs systèmes, installez le premier le plus bas possible dans le rack.

 **PRÉCAUTION** : en raison de la taille et du poids du système, ne tentez jamais de l'installer seul dans les rails de montage.

Installation d'un système avec des rails coulissants

- 1 Tirez les deux rails coulissants intérieurs hors du rack jusqu'à ce qu'ils bloquent sur la butée (voir la figure 1-9).
- 2 Soulevez le système pour le placer au dessus des rails coulissants.
Les trois vis à épaulement situées de chaque côté du système s'emboîtent dans les fentes en forme de J qui se trouvent sur les assemblages à glissière internes (voir la figure 1-9).
- 3 Inclinez le système vers l'arrière tout en alignant les vis à épaulement arrière situées sur les côtés du système avec les fentes en J situées à l'arrière des assemblages à glissière.
- 4 Emboîtez les vis à épaulement arrière dans les fentes correspondantes.
- 5 Abaissez l'avant du système jusqu'à ce que les vis à épaulement avant et centrale s'emboîtent dans les fentes en J.
Le loquet de dégagement du système situé à l'avant du rail coulissant intérieur s'enclenche lorsque la vis à épaulement s'insère dans la fente avant. Utilisez ce loquet pour retirer le système des assemblages à glissière.
- 6 Appuyez sur le loquet de dégagement situé à l'extérieur de chaque rail coulissant interne, puis poussez le système dans le rack.
- 7 Installez le passe-câbles. Voir “Installation du chemin de câbles et du passe-câbles (kits avec rails coulissants uniquement)”, à la page 62.
- 8 Serrez les vis moletées sur le panneau avant du rack pour fixer les assemblages à glissière sur le rack.

Figure 1-9. Installation d'un système avec des rails coulissants



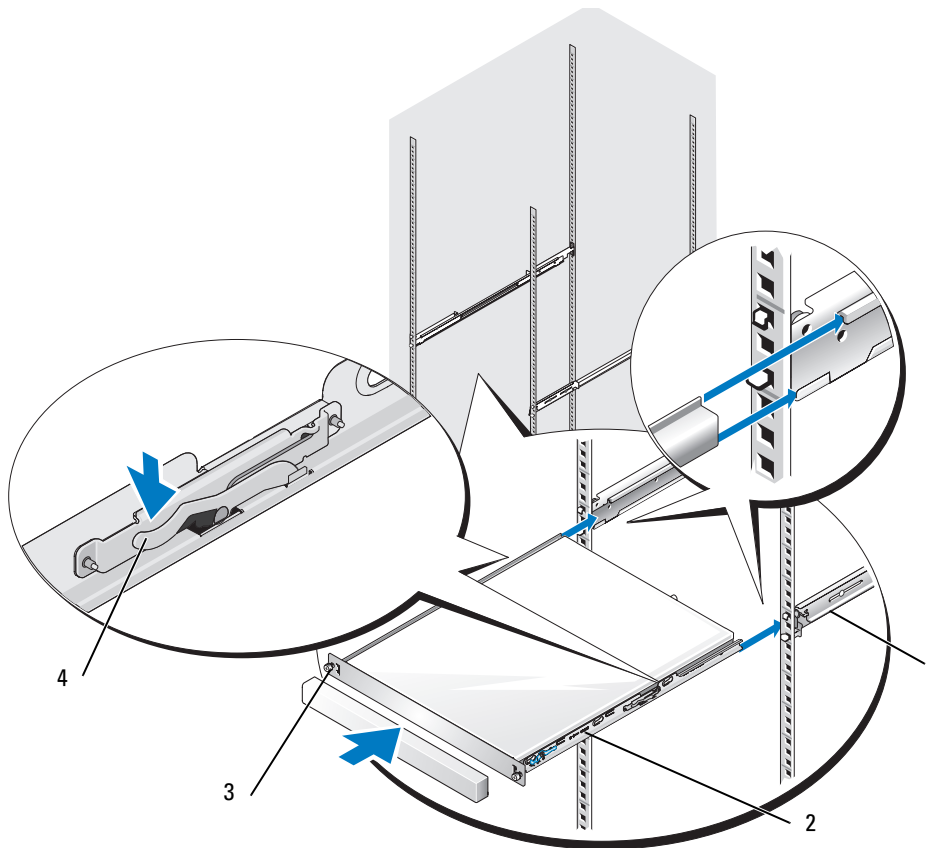
- | | | | | | |
|---|------------------------------|---|------------------------------|---|--------------------------------|
| 1 | Vis à épaulement (6) | 2 | Loquet de dégagement du rail | 3 | Emplacements en forme de J (6) |
| 4 | Loquet de dégagement frontal | 5 | Rails intérieurs (2) | | |

Installation d'un système avec des rails statiques

Pour installer le système dans le rack, procédez comme suit :

- 1 À l'avant du système, soulevez le châssis et positionnez-le de façon que les modules de rail du châssis soient alignés avec les rails de montage du rack.
- 2 Poussez le châssis dans les rails de montage jusqu'à la butée (voir la figure 1-10).
- 3 Serrez les deux vis moletées situées sur le panneau avant du châssis.
- 4 Installez le cadre avant (facultatif). Vous trouverez les instructions correspondantes dans la documentation fournie avec le système.

Figure 1-10. Installation d'un système avec des rails statiques

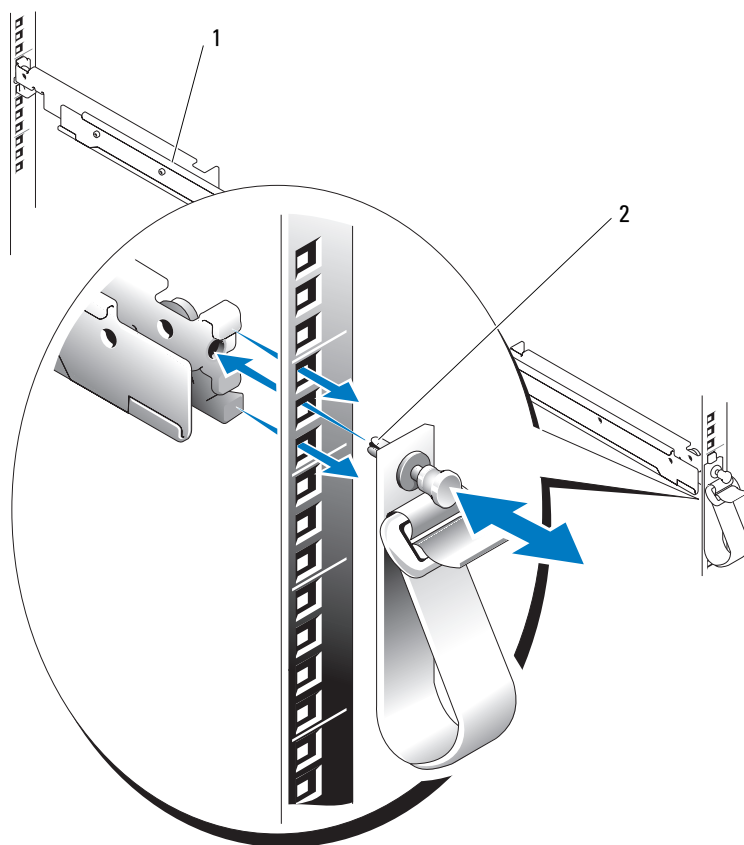


- 1 Rails de montage (2) 2 Modules de rails du châssis (2) 3 Vis moletées (2)
4 Loquets de dégagement (2)

5 Repérez les points d'attache des fixe-câbles situés sur les deux collerettes des supports de montage arrière (voir la figure 1-11).

Ces fixe-câbles sont utilisés pour fixer les cordons du système sur les rails de montage.

Figure 1-11. Installation des fixe-câbles détachables



1 Rails de montage (2)

2 Fixe-câbles détachables (2)

- 6 Faites passer le plot du fixe-câbles dans le point d'attache.
- 7 Enfoncez le plot de manière à emboîter le fixe-câbles dans le rail de montage.
- 8 Utilisez le fixe-câbles pour fixer les cordons du système sur le rail de montage.

Remise en place des portes du rack

Consultez les procédures de réinstallation des portes dans la documentation fournie avec vos armoires rack.

⚠ PRÉCAUTION : compte tenu de leur poids et de leur taille, ne retirez ou n'installez jamais les portes sans l'assistance d'une autre personne.

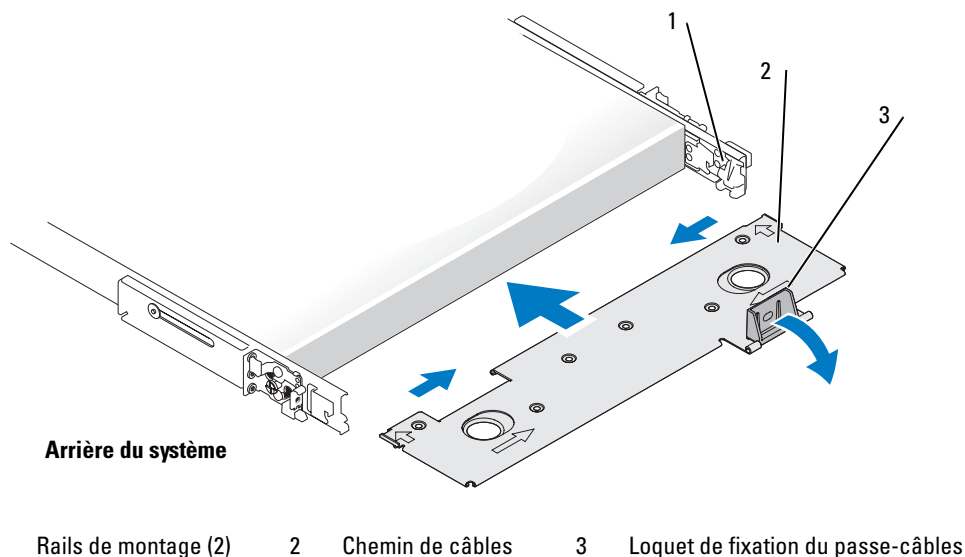
Installation du chemin de câbles et du passe-câbles (kits avec rails coulissants uniquement)

✍ REMARQUE : cette procédure ne s'applique pas au kit de rails statiques.

Installation du chemin de câbles

- 1 À l'arrière du système, placez le chemin de câbles entre les rails de montage et poussez-le jusqu'à ce qu'il se mette en place (voir la figure 1-12).
- 2 Pour préparer l'installation du passe-câbles, ouvrez le loquet de fixation en appuyant sur le cliquet central (voir la figure 1-12).

Figure 1-12. Installation du chemin de câbles

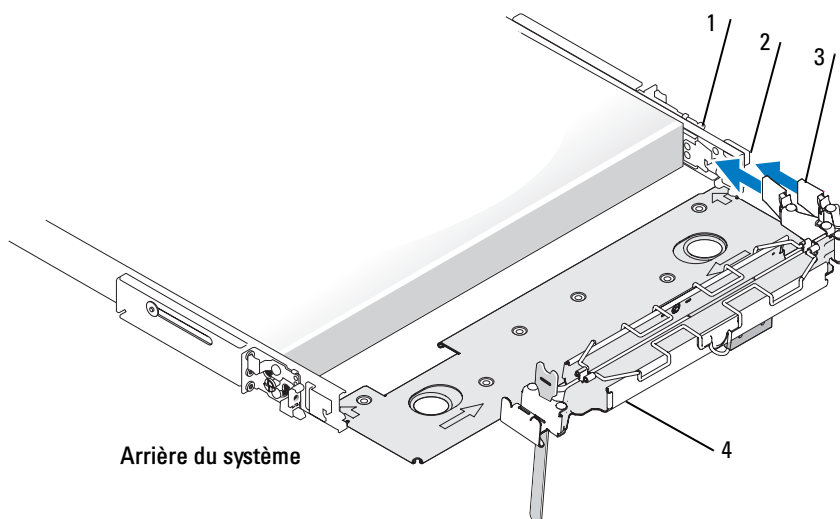


Installation du passe-câbles

REMARQUE : vous pouvez placer le passe-câbles sur le rail de montage gauche ou droit, selon la façon dont vous souhaitez disposer les câbles du système.

- 1 Si nécessaire, ouvrez le loquet de fixation du passe-câbles en appuyant sur le cliquet central (voir la figure 1-12).
- 2 À l'arrière du système, emboîtez le loquet situé à l'avant du passe-câbles sur le support interne de l'assemblage à glissière (voir la figure 1-13).
- 3 Emboîtez l'autre loquet du passe-câbles sur le support externe de l'assemblage à glissière (voir la figure 1-13).

Figure 1-13. Installation du passe-câbles

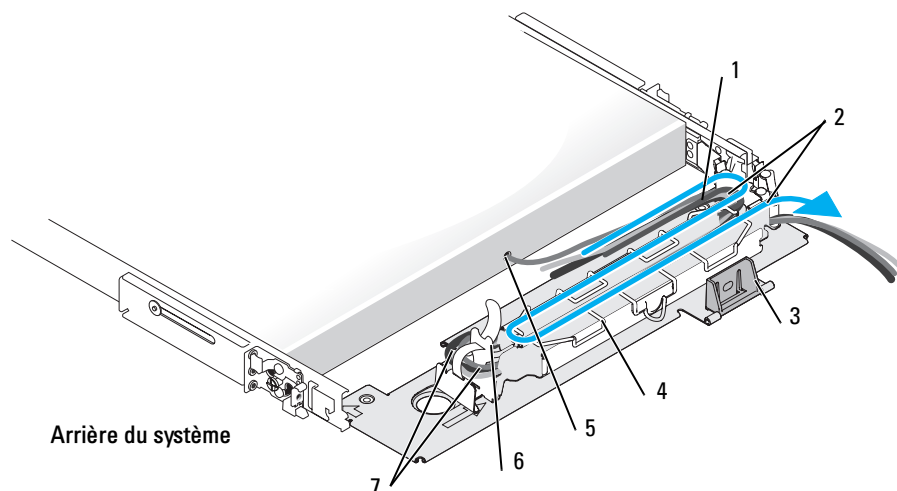


- | | | | | | |
|---|----------------------|---|--------------|---|-------------|
| 1 | Rails de montage (2) | 2 | Supports (2) | 3 | Loquets (2) |
| 4 | Passe-câbles | | | | |

Acheminement des câbles

- 1 Ouvrez le conduit situé en haut du passe-câbles pour permettre le passage des câbles (voir la figure 1-14).

Figure 1-14. Acheminement des câbles dans le passe-câbles




- | | | | | | |
|---|--------------------------------|---|---|---|------------------------------------|
| 1 | Passe-câbles | 2 | Fixe-câbles préinstallés | 3 | Loquet de fixation du passe-câbles |
| 4 | Couvercle du conduit de câbles | 5 | Connecteur du câble du voyant d'état du système | 6 | Bande Velcro |
| 7 | Fixe-câbles préinstallés | | | | |

- 2 Le cas échéant, connectez le câble du voyant d'état dans le connecteur approprié, sur le panneau arrière du système.
Faites passer ce câble dans le passe-câbles et emboîtez l'extrémité dotée du voyant dans l'emplacement situé à l'extrémité du passe-câbles.
- 3 Branchez les câbles d'E/S et les cordons d'alimentation sur les connecteurs correspondants, à l'arrière du système.
Pour plus de détails sur le branchement des câbles, consultez le *Guide de mise en route* ou le *Manuel du propriétaire*.

REMARQUE : pour éviter une tension excessive des câbles d'alimentation, faites-les passer dans les boucles situées à l'arrière des blocs d'alimentation.

- 4 Utilisez les fixe-câbles fournis pour regrouper les câbles et les dégager des systèmes adjacents installés dans le rack.

- 5 Disposez les câbles dans les conduits du passe-câbles.
- 6 Réglez la tension des câbles autour de la charnière et fixez-les à l'aide de la bande Velcro verticale (voir la figure 1-14).
- 7 Utilisez les fixe-câbles préinstallés à l'extrémité interne du passe-câbles et à l'emplacement de la charnière pour maintenir les câbles (voir la figure 1-14).
- 8 Refermez le conduit de câbles.
- 9 Desserrez les vis moletées fixant l'avant du système au rail vertical avant.
- 10 Poussez le système dans le rack puis ressortez-le, pour vérifier que les câbles sont installés correctement et ne se bloquent pas, ne se tendent pas et ne se coincent pas lors du déplacement du passe-câbles. Si nécessaire, repositionnez les câbles dans le passe-câbles.
 **REMARQUE :** si vous tirez le système au maximum, les assemblages à glissière se verrouillent dans cette position. Pour les déverrouiller, appuyez sur le loquet de dégagement situé sur le côté de la glissière, puis faites coulisser le système dans le rack.
- 11 Une fois les câbles correctement positionnés, enfoncez le système dans le rack.
- 12 Refermez le loquet de fixation du passe-câbles (voir la figure 1-14).

Retrait du système de l'armoire rack

Retrait d'un système avec rails coulissants

Pour retirer le système du rack, procédez comme suit :

- 1 Éteignez le système et les périphériques connectés, puis débranchez-le de la prise de courant.
- 2 Débranchez les câbles d'E-S et les cordons d'alimentation des connecteurs correspondants, à l'arrière du système.
- 3 Desserrez les vis moletées situées de chaque côté du panneau avant du châssis (qui fixe le système au rack).
- 4 Tirez le système hors du rack jusqu'à ce qu'il bloque sur la butée.
- 5 Soulevez le loquet de dégagement avant de chaque rail (voir la figure 1-9), puis tirez le système vers l'avant.
- 6 Retirez complètement le système du rack.

Retrait d'un système avec rails statiques


Pour retirer le système du rack, procédez comme suit :

- 1** Éteignez le système et les périphériques connectés, puis débranchez-le de la prise de courant.
- 2** Desserrez les vis moletées situées de chaque côté du panneau avant du châssis (qui fixe le système au rack).
- 3** Déconnectez tous les câbles du système.
- 4** Tirez le système hors du rack jusqu'à ce qu'il soit arrêté par la butée de sécurité.
- 5** Appuyez sur les loquets de dégagement, de chaque côté du système (voir la figure 1-10).
- 6** Retirez complètement le système du rack.

Installation dans un rack à deux montants

Le kit pour rack à deux montants permet d'installer un système dans un rack à châssis ouvert tel que ceux qui sont utilisés dans les équipements de télécommunications. Des racks à deux montants d'une largeur de 7,62 cm ou 15,24 cm (soit 3 et 6 pouces) avec un espacement des trous universel ou large peuvent être utilisés. Vous pouvez installer ce kit dans une configuration à montage central ou encastré.

Le rack à deux montants doit être fixé au sol, au plafond ou en haut d'un mur et si nécessaire, aux racks adjacents à l'aide d'attaches murales ou de dispositifs de fixation au sol et de calage indiqués ou approuvés par le fabricant du rack ou conformes aux normes industrielles. Lisez attentivement les avertissements et consignes figurant dans la documentation du rack avant de commencer l'installation.

 **PRÉCAUTION** : ne tentez pas d'installer le système dans un rack à châssis ouvert si celui-ci n'est pas fixé. Vous risqueriez d'endommager le système et de vous blesser ou de blesser d'autres personnes.


Consignes de sécurité


Respectez les consignes de sécurité de ce guide pour assurer votre sécurité personnelle et pour contribuer à protéger votre système et votre environnement de travail de dommages potentiels. Pour obtenir des informations complètes sur la sécurité, reportez-vous au *Guide d'informations sur le produit*.

SÉCURITÉ : Montage en rack des systèmes

Pour la stabilité du rack et pour votre sécurité, respectez les précautions suivantes. Reportez-vous également à la documentation accompagnant le système et le rack pour connaître les mises en garde et les procédures spécifiques.

Les systèmes sont considérés comme étant les composants d'un rack. Le terme “composant” fait donc référence à un système mais aussi aux différents périphériques ou matériels associés.

 **PRÉCAUTION** : après avoir installé le système/les composants dans un rack, ne sortez jamais plusieurs composants à la fois à l'aide des assemblages à glissière. Le poids de plusieurs composants sortis du rack risquerait de le faire basculer et de blesser quelqu'un gravement.

 **REMARQUE** : le système est certifié sur le plan de la sécurité en tant qu'unité autonome et en tant que composant destiné à être utilisé dans une armoire rack Dell, à l'aide du kit de rack client. L'installation du système et du kit d'installation en rack dans une autre armoire n'a reçu aucune homologation des organismes de certification de la sécurité. Il vous incombe de veiller à ce que la combinaison finale système et rack soit conforme à toutes les normes de sécurité en vigueur, ainsi qu'aux normes électriques locales. Dell décline toute responsabilité et toutes garanties liées à ce type de combinaisons.

- Les kits de rack doivent être installés par des techniciens de maintenance qualifiés. Si vous installez ce kit dans un autre rack, assurez-vous que ce dernier possède les mêmes spécifications qu'un rack Dell.

⚠ PRÉCAUTION : ne déplacez pas de rack sans aide. En raison de la hauteur et du poids du rack, cette tâche doit être réalisée par deux personnes au minimum.

- Chargez le rack du bas vers le haut, en plaçant toujours l'élément le plus lourd en premier.
- Assurez-vous que le rack est d'aplomb et stable avant de tirer un composant hors de son compartiment.
- Agissez avec précaution lorsque vous appuyez sur les loquets de dégagement des rails pour insérer ou retirer un composant. Veillez notamment à ne pas coincer vos doigts dans les rails coulissants.
- Ne surchargez pas le circuit d'alimentation secteur du rack. La consommation totale du rack ne doit pas dépasser 80 % de la capacité du circuit.
- Assurez-vous que les éléments installés dans le rack sont suffisamment ventilés.
- Ne montez pas sur un composant lorsque vous intervenez sur d'autres composants du rack.

Avant de commencer

Avant de commencer à installer le système dans le rack, lisez attentivement la section “Consignes de sécurité”, ainsi que les consignes de sécurité figurant dans le *Guide d'informations sur le produit* pour plus d'informations.

⚠ PRÉCAUTION : si vous installez plusieurs systèmes dans un rack, terminez toutes les opérations requises sur le système en cours d'installation avant de passer au suivant.

🔧 REMARQUE : pour plus d'informations sur l'installation du système proprement dit, voir “Installation du système dans l'armoire rack”, à la page 77”.

Informations importantes concernant la sécurité

Respectez les précautions décrites dans les sous-sections suivantes lors de l'installation du système dans le rack.

⚠ PRÉCAUTION : vous devez respecter à la lettre les procédures de ce document afin de garantir votre propre protection ainsi que celle d'autrui. Le système peut être très lourd et volumineux. Une préparation et une planification adéquates sont donc importantes afin d'éviter tout risque de blessure pour vous-même ou autrui. Ces précautions sont d'autant plus importantes lorsque les systèmes sont installés en hauteur.

⚠ PRÉCAUTION : n'installez pas de kits prévus pour un autre système. Sinon, vous risquez d'endommager le système et de vous blesser ou de blesser une autre personne.

Outils et fournitures recommandés

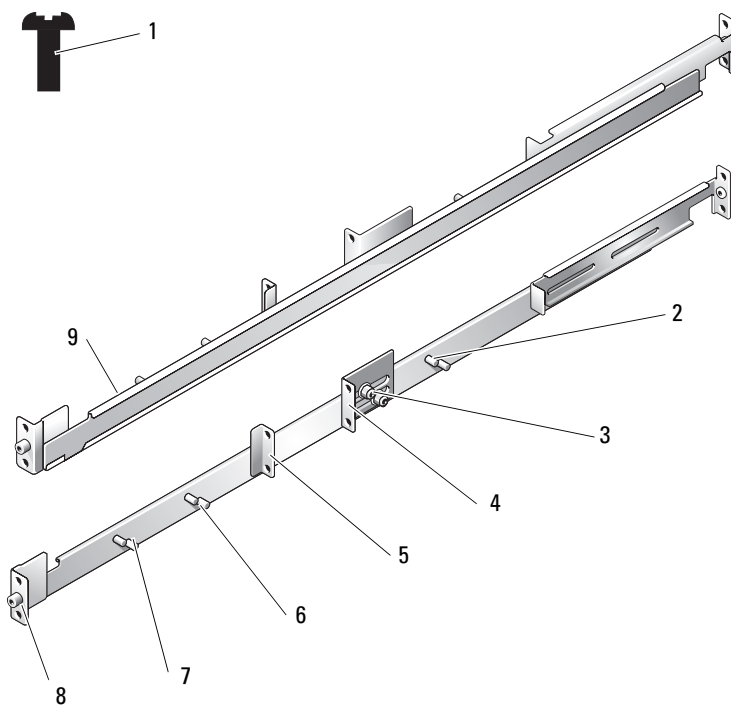
- Tournevis cruciforme n°2
- Clé 3/8" ou tournevis à douille (pour passer au montage encastré)
- Bande adhésive ou stylo feutre pour marquer les trous de montage à utiliser

Contenu du kit de rack

Le kit pour rack à deux montants contient les éléments suivants (voir la figure 2-1) :

- Une paire de rails de montage
- Huit vis cruciformes à tête plate 12-24 x 0,5 pouce
- Fixe-câbles détachables (2) (non représentés figure 2-1)

Figure 2-1. Composants d'un kit pour rack à deux montants



1	Huit vis cruciformes à tête plate 12-24 x 0,5 pouce	2	Goujons filetés de 15,24 cm (6 pouces) pour montage central	3	Goujons filetés de 7,62 cm (3 pouces) pour montage central
4	Collerette de montage réglable	5	Collerette pour le montage central	6	Goujons filetés de 15,24 cm (6 pouces) pour le montage encastré
7	Goujons filetés de 7,62 cm (3 pouces) pour le montage encastré	8	Collerette pour le montage encastré	9	Rails de montage (2)

Tâches d'installation

Pour installer un kit de rack à deux montants, vous devez effectuer les opérations suivantes dans l'ordre indiqué :

- 1 Marquage du rack
 - Rack doté de trous à espacement universel
 - Rack doté de trous à espacement large
- 2 Installation des rails de montage dans le rack
 - Montage central
 - Montage encastré
- 3 Installation du système dans l'armoire rack
- 4 Acheminement des câbles

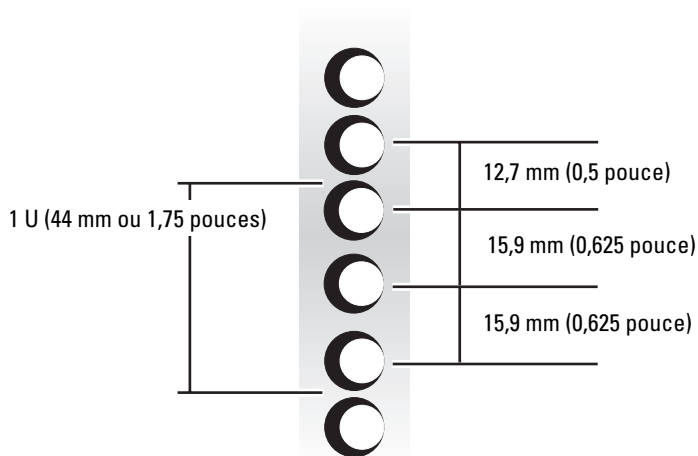
Marquage du rack

Vous devez compter un espace vertical de 1 U (44 mm, soit 1,75 pouces) pour chaque système installé dans le rack.

Rack doté de trous à espacement universel

Les racks dotés de trous à espacement universel comportent des séries alternées de trois trous par unité. L'espacement entre les trous, mesuré de centre à centre (en commençant par le trou supérieur) est respectivement de 15,9 mm, 15,9 mm et 12,7 mm (0,625 pouce, 0,625 pouce et 0,5 pouce) pour les colonnes avant et arrière (voir la figure 2-2).

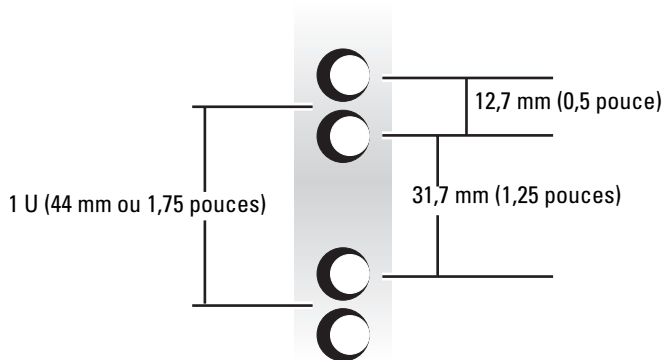
Figure 2-2. Espacement universel sur un rack à deux montants avec châssis ouvert



Rack doté de trous à espacement large

Les racks dotés de trous à espacement large comportent des séries alternées de deux trous par unité. L'espacement entre les trous, mesuré de centre à centre (en commençant par le trou supérieur) est respectivement de 31,7 mm et 12,7 mm (1,25 pouces et 0,5 pouce) pour les colonnes avant et arrière (voir la figure 2-3).

Figure 2-3. Espacement large sur un rack à deux montants avec châssis ouvert



Pour marquer le rack, procédez comme suit :

- 1 Placez une marque sur les rails verticaux avant du rack, à l'endroit correspondant au bas du système à installer dans le rack.

Le bas de chaque espace de 1 U se trouve au milieu de la zone métallique la plus étroite entre les trous.

REMARQUE : si vous utilisez un rack doté de trous à espacement large, passez à l'étape 3.

- 2 Placez une marque à environ 44 mm (1,75 pouces) au-dessus de la marque que vous avez faite au départ (ou remontez de 3 trous pour un rack avec trous à espacement universel). Voir la figure 2-2.

Chaque unité de 1 U (44 mm, soit 1,75 pouces) d'espace vertical dans un rack doté de trous à espacement universel comporte trois trous. Leur espacement, mesuré de centre à centre (en commençant par le haut) est respectivement de 15,9 mm, 15,9 mm et 12,7 mm (0,625 pouce, 0,625 pouce et 0,5 pouce). Voir la figure 2-2.

REMARQUE : si vous utilisez un rack avec trous à espacement universel, la procédure de marquage est terminée.

- 3 Placez une marque à environ 44 mm (1,75 pouces) au-dessus de la marque que vous avez faite au départ (ou remontez au trou suivant si vous utilisez un rack avec trous à espacement large). Voir la figure 2-3.

Chaque unité de 1 U (44 mm, soit 1,75 pouces) d'espace vertical dans un rack doté de trous à espacement large comporte deux trous. Leur espacement, mesuré de centre à centre (en commençant par le haut) est de 31,7 mm (1,25 pouces). Voir la figure 2-3.

Installation des rails de montage

Vous pouvez installer les rails de montage dans un rack à deux montants avec châssis ouvert doté de trous à espacement universel (voir la figure 2-2) ou large (voir la figure 2-3), en procédant à un montage central ou encastré.

 **PRÉCAUTION : n'utilisez pas ce kit pour installer un système pour lequel il n'a pas été prévu. Sinon, vous risquez d'endommager le système et de vous blesser ou de blesser une autre personne.**

Montage central

Le kit pour rack à deux montants est fourni avec des supports configurés pour une installation de 7,62 cm (3 pouces) de large avec montage central. Les composants des rails de montage sont présentés figure 2-1. Pour effectuer l'installation, procédez comme suit :

- 1 Repérez le rail de montage de droite et poussez le support de montage réglable vers l'arrière du rail (voir la figure 2-4).
- 2 Positionnez le rail de montage de droite dans le rack à l'emplacement marqué, poussez le support de montage central vers le rack et fixez la collerette de montage et le support de montage réglable sur le rack. Utilisez quatre vis cruciformes à tête plate de 12-24 x 0,5-pouce (voir la figure 2-4).
- 3 Recommencez l'étape 1 et l'étape 2 pour installer le rail de montage gauche dans le rack.

Figure 2-4. Installation des rails pour un montage central



- | | | | | | |
|---|--|---|--|---|------------------------------------|
| 1 | Rack à deux montants avec châssis ouvert | 2 | Huit vis cruciformes à tête plate 12-24 x 0,5 pouce (4 par rail) | 3 | Collerette pour le montage central |
| 2 | Rails de montage (2) | 4 | Rails du système (2) | 6 | Loquet de dégagement |

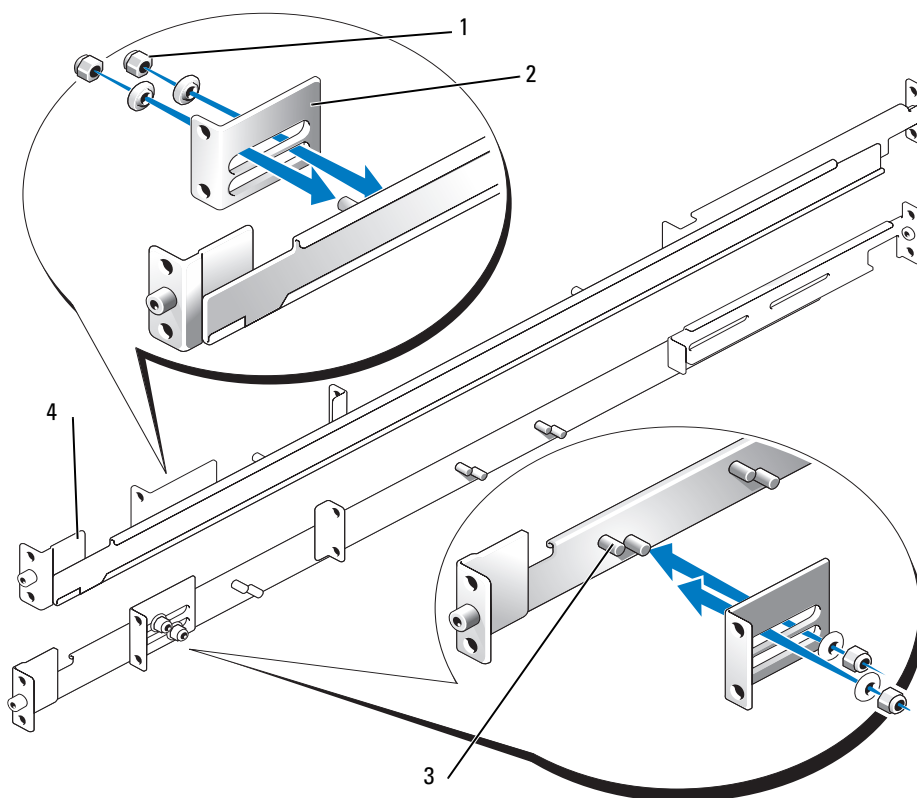
Montage encastré

Le kit pour rack à deux montants est fourni avec des supports configurés pour une installation de 7,62 cm (3 pouces) de large avec montage central. Les composants des rails de montage sont présentés figure 2-1. Pour préparer les rails à un montage encastré dans le rack à deux montants, procédez comme suit :

- 1 Identifiez les deux rails de montage et déposez-les côte à côte sur un plan de travail lisse, en plaçant l'avant des rails vers vous (voir la figure 2-5).

- 2 À l'aide d'une clé 3/8 ou d'un tournevis à douille, retirez les deux écrous du support de montage réglable (voir la figure 2-5).
- 3 Retirez le support et placez-le sur les goujons filetés de 7,62 cm ou 15,24 cm (3 ou 6 pouces) pour montage encastré (voir la figure 2-5).
- 4 Réinstallez le support de montage réglable en resserrant les deux écrous retirés à l'étape 2 (voir la figure 2-5).
- 5 Recommencez la procédure, de l'étape 2 à l'étape 4, pour l'autre rail de montage.

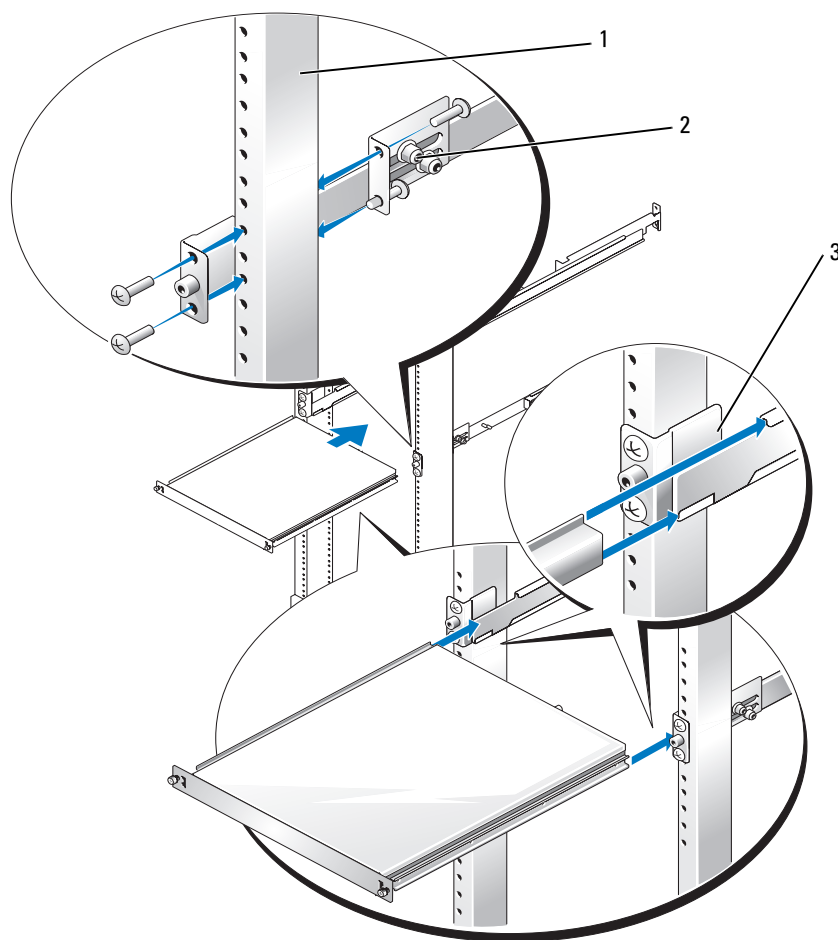
Figure 2-5. Installation du support de montage réglable pour un montage encastré



- | | | | | | |
|---|-------------------------------------|---|-----------------------------|---|---------------------------------------|
| 1 | Écrous (2 par support) | 2 | Support de montage réglable | 3 | Goujons filetés de 7,62 cm (3 pouces) |
| 4 | Collerette pour le montage encastré | | | | |

- 6 Tout en maintenant le rail de montage gauche à l'emplacement marqué, placez la collerette pour montage encastré contre l'avant du rack et fixez-la sur le rail à l'aide de deux vis cruciformes à tête plate 12-24 x 0,5 pouce (voir la figure 2-6).
- 7 Faites glisser le support de montage réglable contre l'arrière du rack et fixez-le au rail à l'aide de deux vis cruciformes à tête plate 12-24 x 0,5 pouce (voir la figure 2-6).
- 8 Recommencez l'étape 6 et l'étape 7 pour installer le rail de montage droit dans le rack.
- 9 À l'aide d'une clé 3/8" ou d'un tournevis à douille, resserrez les écrous sur les supports de montage réglables des deux rails de montage.

Figure 2-6. Installation des rails pour un montage encastré



1 Rack à deux montants avec châssis ouvert

2 Huit vis cruciformes à tête plate 12-24 x 0,5 pouce (4 par rail)

3 Rails de montage (2)

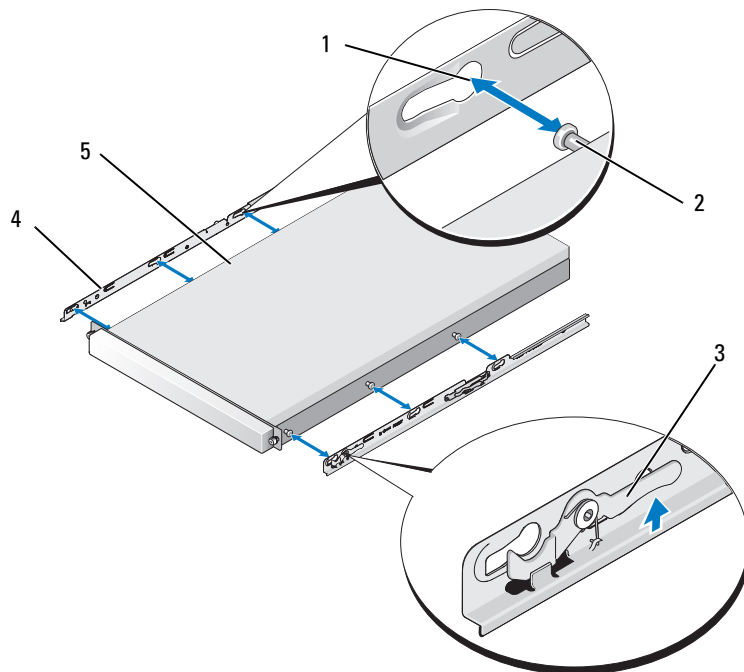
Installation des modules de rails statiques pour le châssis

REMARQUE : il n'est pas nécessaire de retirer le cadre avant fourni en option pour installer ou retirer les modules de rails statiques du châssis.

- 1 Pour installer un module de rails, repérez les trois orifices en trou de serrure sur le module, ainsi que les vis à épaulement correspondantes sur le côté du système (voir la figure 2-7).
- 2 Placez le module de rail contre le côté du système de façon que les vis à épaulement s'emboîtent dans la partie ronde des trous de serrure. Faites ensuite glisser le module vers l'arrière du système.
- 3 Recommencez les étapes 1 et 2 pour installer l'autre module de rail.

Pour retirer un module de rail du châssis, relevez le loquet de dégagement et tirez le rail vers l'avant.

Figure 2-7. Installation et retrait des modules de rails statiques




- | | | | | | |
|---|---------------------------------|---|----------------------|---|----------------------|
| 1 | Orifices en trou de serrure (6) | 2 | Vis à épaulement (6) | 3 | Loquet de dégagement |
| 4 | Modules de rails (2) | 5 | Système | | |

Installation du système dans l'armoire rack

 **PRÉCAUTION** : si vous installez plusieurs systèmes, installez le premier le plus bas possible dans le rack.

- 1 Placez une main sous l'avant du système et l'autre sous l'arrière du système.
- 2 Soulevez le système, positionnez-le de façon que les rails situés à l'arrière s'alignent sur les rails de montage du rack.

 **PRÉCAUTION** : en raison de la taille et du poids du système, ne tentez jamais de l'installer seul dans les rails de montage.

- 3 Poussez le système dans les rails de montage jusqu'à la butée.
- 4 Installez et serrez les vis moletées situées de chaque côté du panneau avant du châssis, de manière à fixer le système sur le rack.

Retrait du système de l'armoire rack

Pour retirer le système du rack, procédez comme suit :

- 1 Éteignez le système et les périphériques connectés, puis débranchez-le de la prise de courant.
- 2 Desserrez les vis moletées situées de chaque côté du panneau avant du châssis (qui fixe le système au rack).
- 3 Déconnectez tous les câbles du système.
- 4 Tirez le système hors du rack jusqu'à ce qu'il soit arrêté par la butée de sécurité.
- 5 Appuyez sur les loquets de dégagement, de chaque côté du système (voir la figure 1-10).
- 6 Retirez complètement le système du rack.

Index

A

- Acheminement des câbles, 64
- Armoire à quatre montants
retrait du système, 65, 77

C

- Câbles, 65
 - acheminement, 64
- Chemin de câbles,
installation, 62
- Consignes de sécurité, 45, 67
- Contenu du kit
 - kit pour rack à deux
montants, 69
 - kit VersaRails, 47, 49
 - VersaRails, 48-49, 61

I

- Installation
 - chemin de câbles, 62
 - kit pour rack à
deux montants, 67, 72-73
 - kit pour rack à
quatre montants, 55
 - système dans un rack à
quatre montants, 58, 77

Installation (suite)

- modules de rails
 - statiques, 54, 76
- passe-câbles, 62
- rails de montage
 - RapidRails, 55
- rails de montage
 - VersaRails, 54, 57, 59, 76

K

- Kit pour rack à deux montants
 - contenu du kit, 69
 - installation des rails
de montage, 72
 - marquage du rack, 70
 - outils et fournitures, 68
- Kit pour rack à quatre
montants
 - contenu du kit
 - VersaRails, 47, 49

M

- Marquage du rack
 - kit pour rack à
deux montants, 70-71
 - kit pour rack à
quatre montants, 50

- Montage central, 72
- Montage encastré, 73

O

- Outils et fournitures
 - kit pour rack à
deux montants, 68
 - rack à quatre montants, 47

P

- Passe-câbles
 - acheminement des câbles, 65
 - installation, 62
- Pieds stabilisateurs, 47
- Portes
 - remise en place, 62
 - retrait, 50
- Précautions relatives au
montage en rack, 46, 68

R

- Rack à quatre montants
 - outils et fournitures, 47
- Rack, pieds stabilisateurs, 47

Rails verticaux

marquage, 50

unité, 51

Remise en place des portes

du rack, 62

Retrait du système

armoires à quatre montants,

65, 77

S

Spécifications de rack

requis pour les rails

VersaRails, 47

U

Unité de rack, 51

V

VersaRails

contenu du kit, 47-49, 61

installation, 54, 57, 59, 76

Rack-Installationsanleitung

Anmerkungen, Hinweise und Warnungen

-  **ANMERKUNG:** Eine ANMERKUNG macht auf wichtige Informationen aufmerksam, die die Arbeit mit dem Computer erleichtern.
-  **HINWEIS:** Ein HINWEIS warnt vor möglichen Beschädigungen der Hardware oder vor Datenverlust und zeigt auf, wie derartige Probleme vermieden werden können.
-  **VORSICHT:** Hiermit werden Sie auf eine potentiell gefährliche Situation hingewiesen, die zu Sachschäden, Verletzungen oder zum Tod führen könnte.

Irrtümer und technische Änderungen vorbehalten.
© 2005 Dell Inc. Alle Rechte vorbehalten.

Die Reproduktion dieses Dokuments in jeglicher Form ist ohne schriftliche Genehmigung von Dell Inc. streng verboten.

Marken in diesem Text: *Dell*, das *DELL* Logo, *RapidRails* und *VersaRails* sind Marken von Dell Inc.

Alle anderen in dieser Dokumentation genannten Marken und Handelsbezeichnungen beziehen Sie auf die entsprechenden Hersteller bzw. deren Produkte. Dell Inc. erhebt keinen Anspruch auf Marken und Handelsbezeichnungen mit Ausnahme der eigenen.

Inhalt

1	Montage in einem Rack mit vier Stützen	85
	Sicherheitshinweise	85
	SICHERHEIT: Montieren von Systemen im Rack	85
	Allgemeine Installationsanleitung	86
	Vorbereitungen	86
	Wichtige Sicherheitshinweise	87
	Rack-Anforderungen für VersaRails	87
	Rack-Stabilisatoren.	87
	Empfohlene Werkzeuge und Zubehör	87
	Inhalt des Rack-Kits für Gleitschienen	88
	Inhalt des Rack-Kits für feste Schienen	89
	Ablauf der Installation	90
	Abnehmen der Rack-Türen	90
	Markieren des Racks	90
	Konfiguration der Gleitschienenensätze (nur bei Kits mit Gleitschienen)	93
	Installation der festen Schienenmodule am Gehäuse (nur bei Kits mit festen Schienen)	94
	Installation der Montageschienen im Rack.	95
	Installation des Systems im Rack	98
	Installation eines Systems mit Gleitschienen.	98
	Installation eines Systems mit festen Schienen	100
	Wiederanbringen der Rack-Türen.	102
	Installation der Ablage und des Kabelführungsarms (nur bei Kits mit Gleitschienen)	102
	Installation der Ablage	102
	Installation des Kabelführungsarms	103
	Verlegen der Kabel	104
	Entfernen des Systems aus dem Rack	105
	Entfernen eines Systems mit Gleitschienen	105
	Entfernen eines Systems mit festen Schienen	106

2	Montage in einem Zwei-Stützen-Rack	107
	Sicherheitshinweise	107
	SICHERHEIT: Montieren von Systemen im Rack	107
	Vorbereitungen	108
	Wichtige Sicherheitshinweise	108
	Empfohlene Werkzeuge und Zubehör	109
	Inhalt des Rack-Kits.	109
	Ablauf der Installation	110
	Markieren des Racks	110
	Racks mit universellem Lochabstand.	110
	Racks mit weitem Lochabstand	111
	Installation der Montageschienen	112
	Mittenmontage	112
	Installation mit bündiger Montage	114
	Installation von festen Schienenmodulen am Gehäuse.	117
	Installation des Systems im Rack	118
	Entfernen des Systems aus dem Rack	118
	Index	119

Montage in einem Rack mit vier Stützen


Sicherheitshinweise

Beachten Sie die nachfolgenden Sicherheitshinweise, um Ihre eigene Sicherheit zu gewährleisten und eine Beschädigung des Systems und der Arbeitsumgebung zu vermeiden. Vollständige Informationen über die Sicherheitsanforderungen und Betriebsvorschriften finden Sie im *Product Information Guide* (Produktinformationshandbuch) zum System. Die Garantieinformationen befinden sich entweder dort oder in einem gesonderten Dokument.


SICHERHEIT: Montieren von Systemen im Rack

Beachten Sie die folgenden Vorsichtsmaßnahmen für die Stabilität und Sicherheit des Racks. Spezielle Warnungen und/oder Sicherheitshinweise und Prozeduren finden Sie auch in der zum System gehörenden Dokumentation zur Rack-Installation.

Systeme gelten als Komponenten in einem Rack. Der Begriff „Komponente“ bezieht sich also auf ein beliebiges System oder auch Peripheriegeräte und Zusatzhardware.

 **VORSICHT: Bevor Sie Systeme in einem Rack einbauen, installieren Sie bei frei stehenden Racks die vorderen und seitlichen Stabilisatoren und bei Racks, die mit anderen Racks verbunden sind, die vorderen Stabilisatoren. Wenn vor dem Einsetzen von Systemen in einem Rack keine Stabilisatoren angebracht werden, kann das Rack unter Umständen umkippen und Verletzungen verursachen. Befestigen Sie daher immer zuerst die Stabilisatoren, bevor Sie Komponenten im Rack installieren.**

Ziehen Sie nach dem Einbau von Systemen bzw. Komponenten in einem Rack niemals mehr als eine Komponente gleichzeitig auf den Gleitschienen aus dem Rack. Durch das Gewicht von mehr als einer Komponente kann das Rack umkippen und Verletzungen verursachen.

 **ANMERKUNG:** Das System ist als frei stehende Einheit und für die Verwendung als Komponente in einem Dell-Rack unter Verwendung des kundenseitigen Rack-Kits sicherheitszertifiziert. Die Installation des Systems und des Rack-Kits in anderen Racks ist von keiner Prüfbehörde abgenommen. Sie sind selbst dafür verantwortlich, dass die endgültige Kombination von System und Rack alle geltenden Sicherheitsstandards und die lokalen elektrischen Richtlinien erfüllt. Dell übernimmt keinerlei Haftung und Gewährleistung für derartige Kombinationen.

- System-Rack-Kits sollten von geschulten Servicetechnikern in einem Rack installiert werden. Wenn Sie das Kit in einem anderen Rack installieren, vergewissern Sie sich, dass das Rack die Spezifikationen eines Dell-Racks erfüllt.

 **VORSICHT: Große Racks dürfen nicht von einer Person allein bewegt werden. Wegen der Höhe und des Gewichts des Racks sollte diese Arbeit mit mindestens zwei Personen durchgeführt werden.**

- Bevor Sie an einem Rack arbeiten, vergewissern Sie sich, dass die Stabilisatoren sicher am Rack befestigt sind, fest auf dem Boden aufliegen und dass das gesamte Gewicht des Racks auf dem Boden lastet. Montieren Sie an einem einzelnen Rack die vorderen und seitliche Stabilisatoren, an mehreren miteinander verbundenen Racks die vordere Stabilisatoren, bevor Sie Arbeiten am Rack durchführen.
- Bestücken Sie das Rack immer von unten nach oben, und setzen Sie die schwerste Komponente zuerst ein.
- Vergewissern Sie sich, dass das Rack gerade und stabil steht, bevor Sie eine Komponente aus dem Rack ziehen.
- Es besteht Quetschgefahr für die Finger, wenn Sie auf die Schienenverriegelung der Komponente drücken und eine Komponente in das Rack schieben oder herausziehen.
- Überlasten Sie nicht den Wechselstromkreis, über den das Rack mit Strom versorgt wird. Die Gesamtlast des Racks sollte 80 Prozent der Nennbelastbarkeit des Stromkreises nicht überschreiten.
- Überprüfen Sie, ob eine ausreichende Luftzufuhr zu den Komponenten im Rack gewährleistet ist.
- Treten Sie nicht auf Komponenten und stellen Sie sich nicht darauf, wenn Sie an anderen Komponenten in einem Rack Arbeiten durchführen.

Allgemeine Installationsanleitung

Diese Installationsanleitung enthält Anweisungen zur Installation eines oder mehrerer Systeme in einem Rack durch geschulte Servicetechniker. Das RapidRails™ Rack-Kit kann ohne Werkzeuge in allen Gestellschränken des Systemherstellers montiert werden und das VersaRails™ Rack-Kit in den meisten Standardgestellschränken. Die Montage der RapidRails- und VersaRails-Rack-Kits verläuft ähnlich. Für jedes im Rack installierte System wird ein Rack-Kit benötigt.

Dieser Abschnitt enthält Anweisungen für die folgenden Rack-Kits mit vier Stützen:

- Rack-Kit mit Gleitschienen
- Rack-Kit mit festen Schienen (RapidRails- und VersaRails-Version)
(Installationsanweisungen für ein Kit mit festen Schienen in einem Rack mit zwei Stützen erhalten Sie unter „Montage in einem Zwei-Stützen-Rack“ auf Seite 107.)

Vorbereitungen

Lesen Sie vor dem Einbau des Systems im Rack sorgfältig die „Sicherheitshinweise“ am Anfang dieser Anleitung sowie die Sicherheitshinweise im *Product Information Guide* (Produktinformationshandbuch).



VORSICHT: Wenn Sie mehrere Systeme in einem Rack installieren, schließen Sie alle Maßnahmen für ein System ab, bevor Sie das nächste System installieren.




VORSICHT: Racks können sehr schwer sein und leicht wegrollen. Sie sind nicht mit Bremsen ausgestattet. Bewegen Sie ein Rack nur mit größter Vorsicht. Fahren Sie die höhenverstellbaren Füße ein, bevor Sie ein Rack bewegen. Vermeiden Sie lange bzw. steile Neigungen oder Rampen, auf denen Sie die Kontrolle über das Rack verlieren könnten. Fahren Sie die höhenverstellbaren Füße aus, damit das Rack abgestützt wird und nicht wegrollen kann.




ANMERKUNG: Wie das System als solches installiert wird, erfahren Sie unter „Installation des Systems im Rack“ auf Seite 98.


Wichtige Sicherheitshinweise

Beachten Sie beim Einbau des Systems im Rack die Sicherheitsmaßnahmen in den folgenden Unterabschnitten.


 **VORSICHT:** Befolgen Sie die in diesem Dokument angegebenen Vorgehensweisen genau, um sich selbst und andere Personen nicht zu gefährden. Das System ist möglicherweise sehr groß und schwer. Sie sollten die Installation sorgfältig vorbereiten und planen, um Verletzungen vorzubeugen. Diese Vorkehrungen gelten umso mehr, wenn Systeme oben im Rack installiert werden.

 **VORSICHT:** Installieren Sie keine Rack-Kit-Komponenten, die für andere Systeme vorgesehen sind. Verwenden Sie ausschließlich das für das System vorgesehene Rack-Kit. Wenn Sie das Rack-Kit für ein anderes System verwenden, könnte das System beschädigt und Sie selbst oder andere Personen verletzt werden.

Rack-Anforderungen für VersaRails

 **HINWEIS:** Das VersaRails-Rack-Kit ist zur Installation durch geschulte Servicetechniker in einem Rack vorgesehen, das den Spezifikationen ANSI/EIA-310-D-92 (American National Standards Institute bzw. Electronic Industries Association), IEC 297 (International Electrotechnical Commission) und der DIN 41494 (Deutsches Institut für Normung) entspricht. Für jedes in einem Rack montierte System wird ein Rack-Kit benötigt.

Rack-Stabilisatoren

 **VORSICHT:** Bevor Sie Systeme in einem Rack einbauen, installieren Sie bei frei stehenden Racks die vorderen und seitlichen Stabilisatoren und bei Racks, die mit anderen Racks verbunden sind, die vorderen Stabilisatoren. Wenn vor dem Einsetzen von Systemen in einem Rack keine Stabilisatoren angebracht werden, kann das Rack unter Umständen umkippen und Verletzungen verursachen. Befestigen Sie daher immer zuerst die Stabilisatoren, bevor Sie Komponenten im Rack installieren.

Die Stabilisatoren verhindern das Umkippen des Racks. Anleitungen zur Installation und Befestigung der Stabilisatoren finden Sie in der mit dem Gestellschrank gelieferten Dokumentation.

Empfohlene Werkzeuge und Zubehör

Sie benötigen eventuell folgende Hilfsmittel zur Installation des Systems in einem Rack mit vier Stützen:

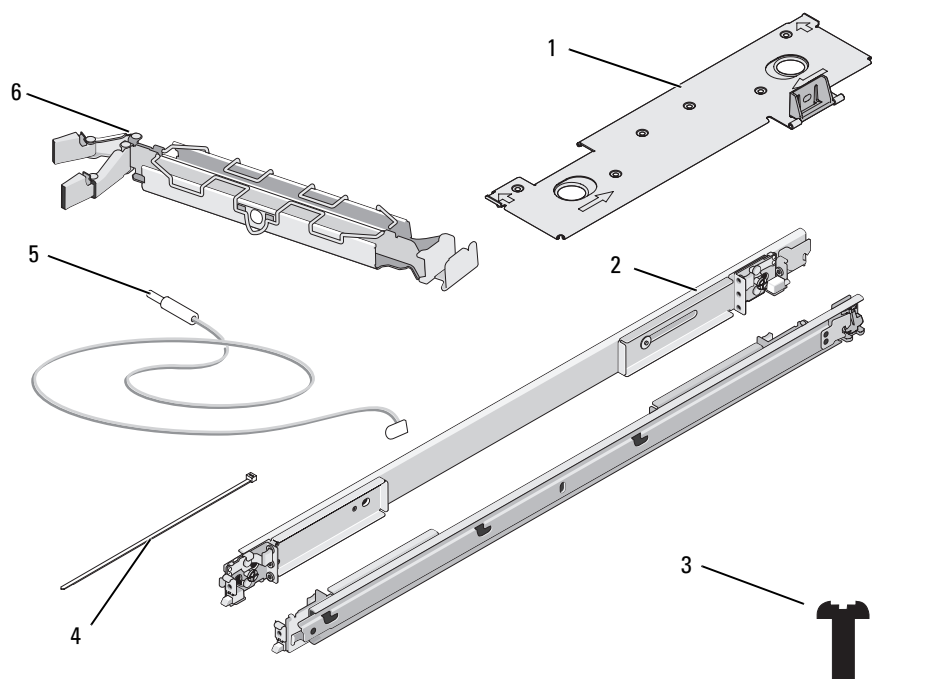
- Kreuzschlitzschraubendreher der Größe 2
- Kreppband oder einen Filzstift zur Markierung der verwendeten Montagelöcher

Inhalt des Rack-Kits für Gleitschienen

- Ein Paar Gleitschienensätze (umwandelbar in RapidRails- oder VersaRails-Konfiguration)
- Ein Kabelführungsarm
- Eine Ablage
- Ein Statusanzeigekabel (falls zutreffend)
- Kabelbinder zum Befestigen der Kabel am Kabelführungsarm
- Acht 10-32 x 0,5 Zoll-Kreuzschlitzbundschauben (nur für VersaRails-Konfiguration verwendet)

ANMERKUNG: Die in den Abbildungen und Anweisungen genannten nichtmetrischen Schrauben werden nach ihrer Größe und der Anzahl der Windungen pro Zoll bezeichnet. So wird z. B. eine Kreuzschlitzschraube Nr. 10 mit 32 Windungen pro Zoll als 10-32-Schraube bezeichnet.

Abbildung 1-1. Inhalt des Rack-Kits für Gleitschienen



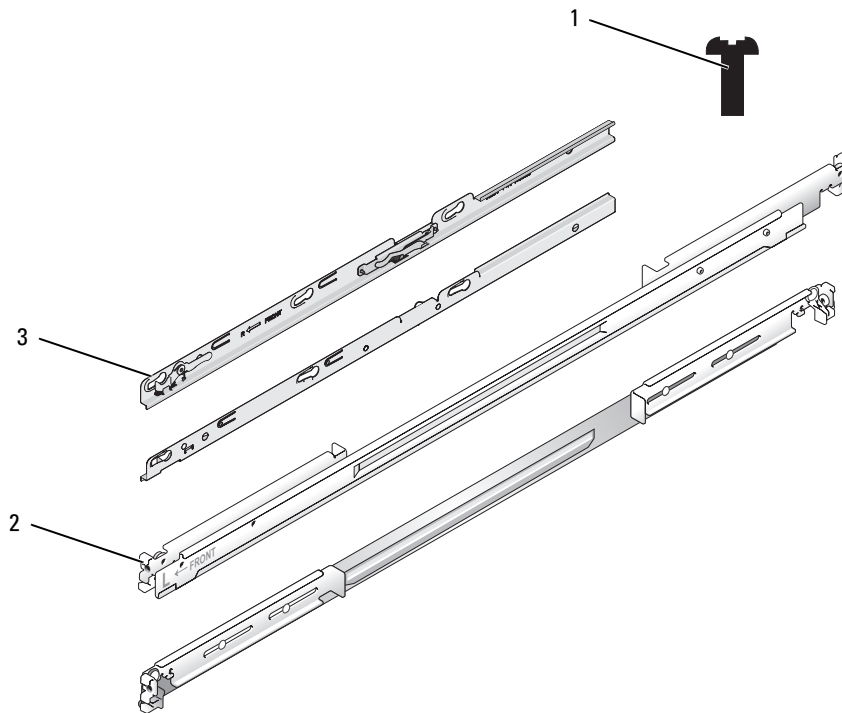
1	Ablage	2	Schienensätze (2)	3	10-32 x 0,5 Zoll-Kreuzschlitzbundschauben (8) (nur für VersaRails-Konfiguration)
4	Kabelbinder	5	Statusanzeigekabel (falls zutreffend)	6	Kabelführungsarm

Inhalt des Rack-Kits für feste Schienen

- Ein paar feste Montageschienen, entweder mit VersaRails- oder RapidRails-Halterungen.
- Ein Paar Festschienenmodule für das Gehäuse
- 10-32 x 0,5 Zoll-Kreuzschlitzbundschraben (8) (nur bei VersaRails-Kits)
- Lösbare Kabelbinder (2) (nicht dargestellt in Abbildung 1-2)

ANMERKUNG: Die in den Abbildungen und Anweisungen genannten nichtmetrischen Schrauben werden nach ihrer Größe und der Anzahl der Windungen pro Zoll bezeichnet. So wird z. B. eine Kreuzschlitzschraube Nr. 10 mit 32 Windungen pro Zoll als 10-32-Schraube bezeichnet.

Abbildung 1-2. Inhalt des Rack-Kits für feste Schienen



- | | | | | | |
|---|---|---|---------------------------|---|--|
| 1 | 10-32 x 0,5 Zoll-Kreuzschlitzbundschraben (8) (nur bei VersaRails-Kits) | 2 | Feste Montageschienen (2) | 3 | Feste Schienenmodule für das Gehäuse (2) |
|---|---|---|---------------------------|---|--|

Ablauf der Installation

Bei der Montage eines Rack-Kits sind die folgenden Arbeitsschritte (ausführlich in den nächsten Abschnitten beschrieben) nacheinander auszuführen:

- 1 Abnehmen der Rack-Türen
- 2 Markieren des Racks
- 3 Konfiguration der Gleitschienensätze (nur bei Kits mit Gleitschienen)
- 4 Installation der festen Schienenmodule am Gehäuse (nur bei Kits mit festen Schienen)
- 5 Installation der Montageschienen im Rack
- 6 Installation des Systems im Rack
- 7 Installation der Ablage und des Kabelführungsarms (nur bei Kits mit Gleitschienen)
- 8 Verlegen der Kabel
- 9 Wiederanbringen der Rack-Türen

Abnehmen der Rack-Türen

Siehe Vorgehensweise zum Entfernen der Türen in der Dokumentation zum Gestellschrank.



VORSICHT: Da die Rack-Türen sehr groß und schwer sind, versuchen Sie niemals, die Türen ohne fremde Hilfe abzunehmen oder einzubauen.



VORSICHT: Verstauen Sie die Türen so, dass niemand verletzt wird, falls sie versehentlich umfallen.

Markieren des Racks

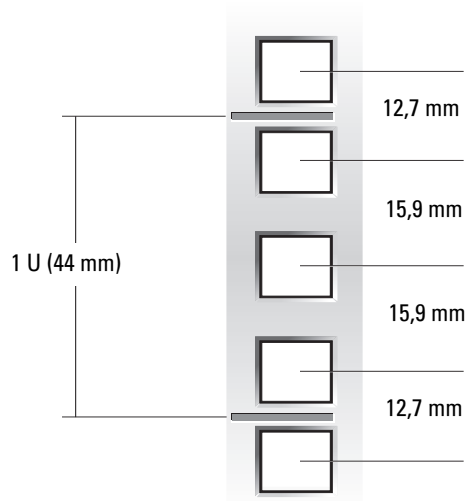
Bei einem 1-U-System benötigen Sie für jedes System, das Sie im Rack installieren, einen vertikalen Abstand von 1 U (44 mm bzw. 1,75 Zoll).

Gestellschränke, die den EIA-310-Standards entsprechen, weisen ein sich wiederholendes Muster aus drei Löchern pro Rack-Einheit auf, deren Mittenabstand zueinander (beginnend mit dem oberen Loch einer 1-U-Einheit) 15,9 mm, 15,9 mm und 12,7 mm (0,625, 0,625 und 0,5 Zoll) an den vorderen und hinteren vertikalen Schienen beträgt (siehe Abbildung 1-3). Gestellschränke können mit runden oder rechteckigen Löchern ausgestattet sein.



ANMERKUNG: Die vertikalen Schienen sind eventuell in Abständen von 1 U mit horizontalen Linien und Zahlen markiert. Notieren Sie sich die Nummer der Markierung auf der vertikalen Schiene. So brauchen Sie keine zusätzlichen Markierungen oder Klebeband am Rack anzubringen.

Abbildung 1-3. Eine Rack-Einheit



⚠ VORSICHT: Wenn Sie mehr als ein System einsetzen wollen, installieren Sie die Montageschienen so, dass sich das erste System möglichst weit unten im Rack befindet.

Gehen Sie zum Markieren des Racks wie folgt vor:

- 1 Bringen Sie auf den vorderen vertikalen Schienen des Racks eine Markierung (mit Stift oder Klebeband) an der Stelle an, an der sich die Unterseite des Systems befinden soll, das Sie in den Rack einbauen möchten.

Die Unterkante jeder 1-U-Einheit befindet sich in der Mitte des schmalsten Metallstücks zwischen den Löchern (bei einigen Racks mit einer horizontalen Linie gekennzeichnet, siehe Abbildung 1-4).

- 2 Bringen Sie 44 mm (1,75 Zoll) über der Originalmarkierung eine Markierung an (oder zählen Sie in einem Rack nach EIA-310-Standard drei Löcher nach oben). Markieren Sie die vorderen vertikalen Schienen mit einem Filzstift oder einem Stück Kreppband (falls Sie die Löcher gezählt haben, bringen Sie direkt über dem oberen Loch eine Markierung an). Die Markierung bzw. das Kreppband zeigt die spätere Position der Oberkante des Systems an den vertikalen Schienen (siehe Abbildung 1-4).

Abbildung 1-4. Vertikale Schienen markieren



1 Markierungen auf vertikalen Schienen (2)

Konfiguration der Gleitschienensätze (nur bei Kits mit Gleitschienen)

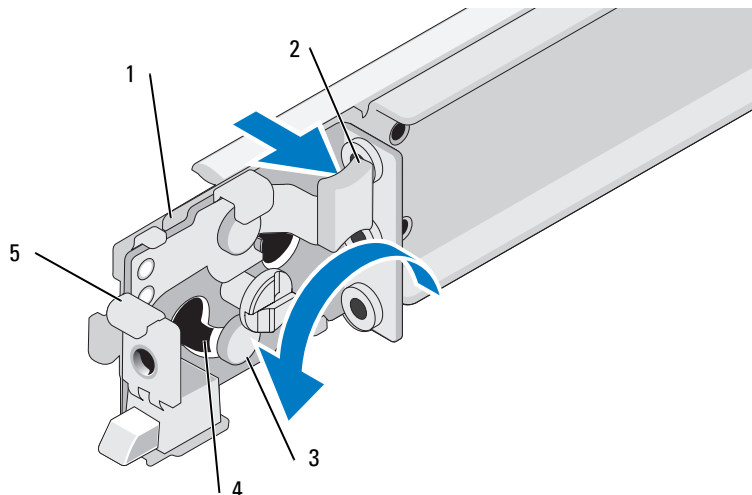
Der Gleitschienensatz ist an den Enden jeweils mit einer drehbaren Montagehalterung ausgestattet. Die Position der Halterung bestimmt, ob der Schienensatz als RapidRails oder VersaRails eingesetzt wird. Auf der RapidRails-Seite der Halterung befinden sich ein Haken und eine Verriegelung zur Befestigung an der vertikalen Schiene. Auf der VersaRails-Seite der Halterung befinden sich drei Löcher, und zur Befestigung an der vertikalen Schiene kommen Schrauben zum Einsatz.

ANMERKUNG: Bei Auslieferung befinden sich die Gleitschienensätze des Rack-Kits in der RapidRails-Konfiguration.

So drehen Sie die Montagehalterung und ändern die Konfiguration der Montageschienen von RapidRails auf VersaRails (siehe Abbildung 1-5):

- 1 Heben Sie den Freigabehebel an der drehbaren Montagehalterung an.
- 2 Drehen Sie die Halterung und schieben Sie sie von den zwei Abstandshaltern nach oben weg.
- 3 Drehen Sie die Halterung weiter bis auf 180 Grad, bis die Abstandshalter wieder in die Aussparungen eingreifen.
- 4 Drehen Sie die Halterung auf den Abstandshaltern in der Gegenrichtung, bis sie einrastet.

Abbildung 1-5. Position der drehbaren Montagehalterung ändern



- | | | | | | |
|---|--------------------|---|---|---|--------------------|
| 1 | Drehbare Halterung | 2 | Freigabehebel | 3 | Abstandshalter (2) |
| 4 | Aussparungen (2) | 5 | Montagehalterungsflansch
(RapidRails-Konfiguration
dargestellt) | | |

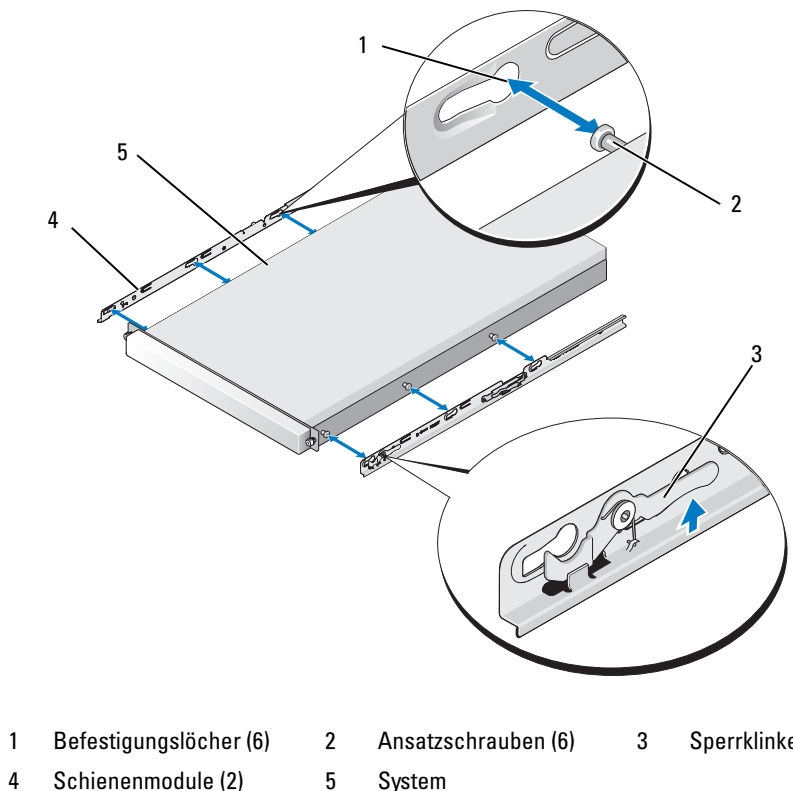
Installation der festen Schienenmodule am Gehäuse (nur bei Kits mit festen Schienen)

ANMERKUNG: Um die festen Schienenmodule zu installieren oder zu entfernen, brauchen Sie die optionale Frontverkleidung nicht abzunehmen.

- 1 Um ein Schienenmodul zu installieren, verwenden Sie die drei Befestigungslöcher am Schienenmodul und die entsprechenden Ansatzschrauben auf der Seite des Systems (siehe Abbildung 1-6).
- 2 Setzen Sie das Schienenmodul an der Seite des Systems so an, dass die Ansatzschrauben durch die weiten Aussparungen der Befestigungslöcher greifen, und schieben Sie dann das Modul zur Systemrückseite hin.
- 3 Wiederholen Sie die Schritte 1 und 2 für das andere Schienenmodul.

Um ein Schienenmodul vom Gehäuse zu entfernen, ziehen Sie die Sperrklinke nach oben, schieben Sie dann die Schiene nach vorn, und entfernen Sie das Schienenmodul vom Gehäuse.

Abbildung 1-6. Festschienenmodule installieren und entfernen



Installation der Montageschienen im Rack

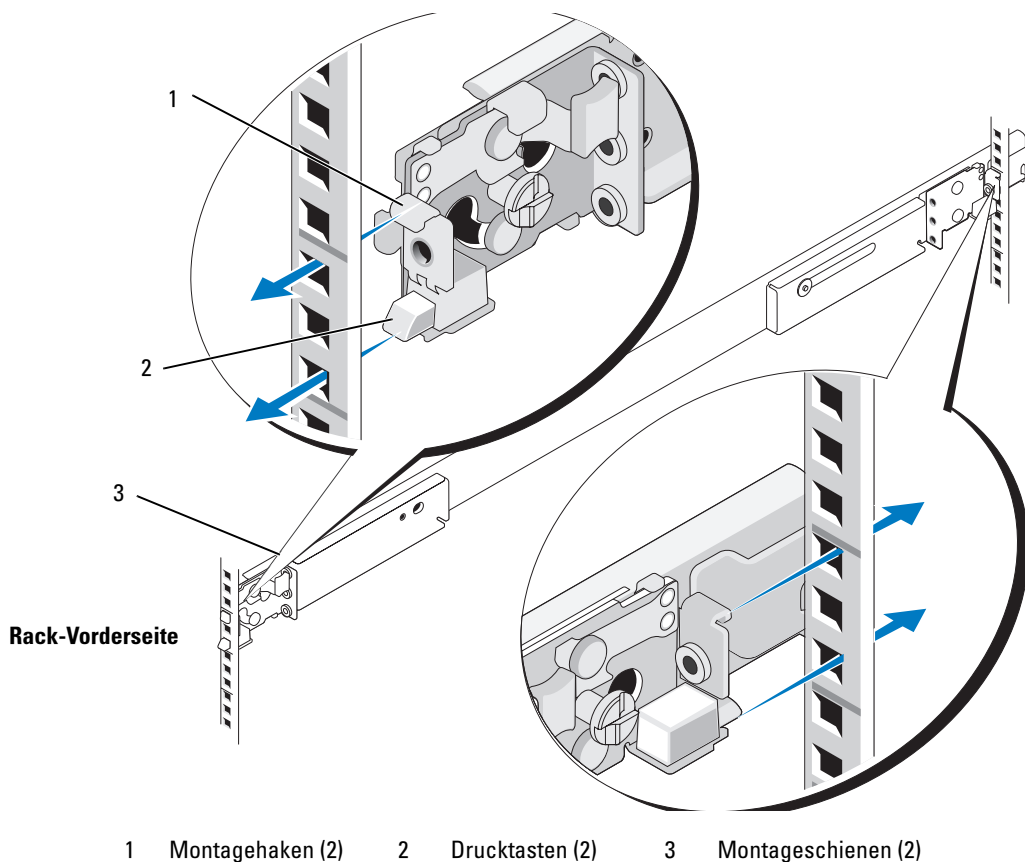
ANMERKUNG: Die folgenden Anweisungen gelten sowohl für Gleitschienen als auch für feste Schienen.

Installation der RapidRails-Montageschienen

- 1 Setzen Sie eine der Montageschienen so an der Vorderseite des Gestellschranks an, dass sich der Montagehalterungsflansch zwischen den Markierungen (oder an der Markierung mit der richtigen Zahl) aus dem Schritt „Markieren des Racks“ an den vertikalen Schienen befindet (siehe Abbildung 1-7).

Der obere Montagehaken am vorderen Montagehalterungsflansch sollte in das obere Loch zwischen den Markierungen auf den vertikalen Schienen eingreifen.

Abbildung 1-7. Installation der RapidRails-Montageschienen



- 2** Schieben Sie die Montageschiene nach vorn, bis der Montagehaken in das Rechteckloch eingreift, und drücken Sie dann den Montagehalterungsflansch nach unten, bis der Montagehaken sitzt und die Drucktaste im unteren Rechteckloch einrastet (siehe Abbildung 1-7).
- 3** Ziehen Sie auf der Rückseite des Gestellschranks den Flansch der Montagehalterung nach hinten, bis der Montagehaken in das obere Rechteckloch eingreift. Drücken Sie dann den Flansch nach unten, bis der Montagehaken sitzt und die Drucktaste im unteren Rechteckloch einrastet.
- 4** Wiederholen Sie Schritt 1 bis Schritt 3 für die Montageschiene auf der anderen Seite des Racks.
- 5** Achten Sie darauf, dass die Montageschienen auf beiden Rack-Seiten in der gleichen Höhe an den vertikalen Schienen befestigt werden.

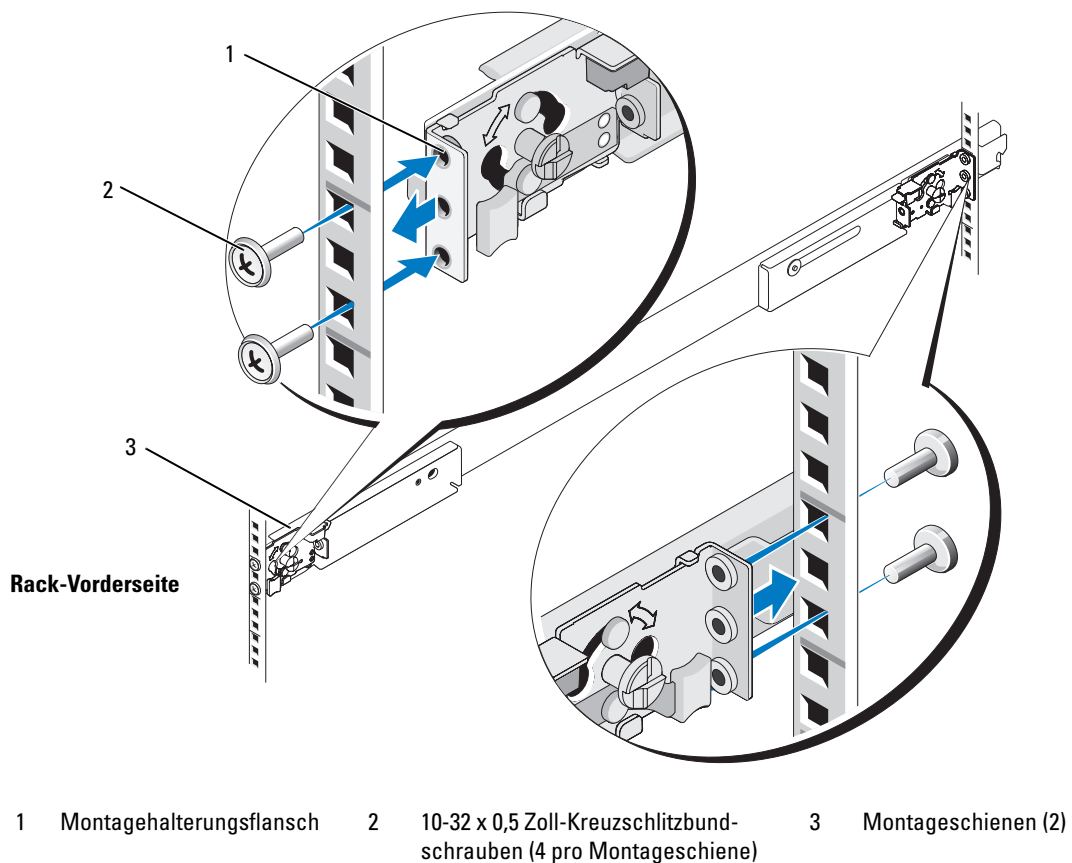
Installation der RapidRails-Montageschienen

- 1** Setzen Sie eine der Montageschienen so an der Vorderseite des Gestellschranks an, dass sich der zugehörige Montagehalterungsflansch zwischen den Markierungen (oder an der Markierung mit der richtigen Zahl) aus dem Schritt „Markieren des Racks“ an den vertikalen Schienen befindet (siehe Abbildung 1-8).

Die drei Löcher an der Vorderseite des Montagehalterungsflansches sollten mit den Löchern zwischen Ihren Markierungen an der vorderen vertikalen Schiene übereinstimmen.

- 2** Befestigen Sie die Montageschiene durch je eine 10-32 x 0,5 Zoll-Kreuzschlitzbundschraube im oberen und unteren Loch des Montageflanschs an der vorderen vertikalen Schiene.
- 3** Ziehen Sie den Montagehalterungsflansch auf der Rack-Rückseite nach hinten, bis seine Montagelöcher mit den rechteckigen Löchern auf der hinteren vertikalen Schiene übereinstimmen.
- 4** Befestigen Sie die Montageschiene mit je einer 10-32 x 0,5 Zoll-Kreuzschlitzbundschraube im oberen und unteren Loch des Montageflanschs an der hinteren vertikalen Schiene.
- 5** Wiederholen Sie Schritt 1 bis Schritt 4 für die Montageschiene auf der anderen Seite des Racks.
- 6** Achten Sie darauf, dass die Montageschienen auf jeder Rack-Seite jeweils an der gleichen Stelle an den vertikalen Schienen montiert werden.

Abbildung 1-8. VersaRails-Montageschienen installieren



Installation des Systems im Rack

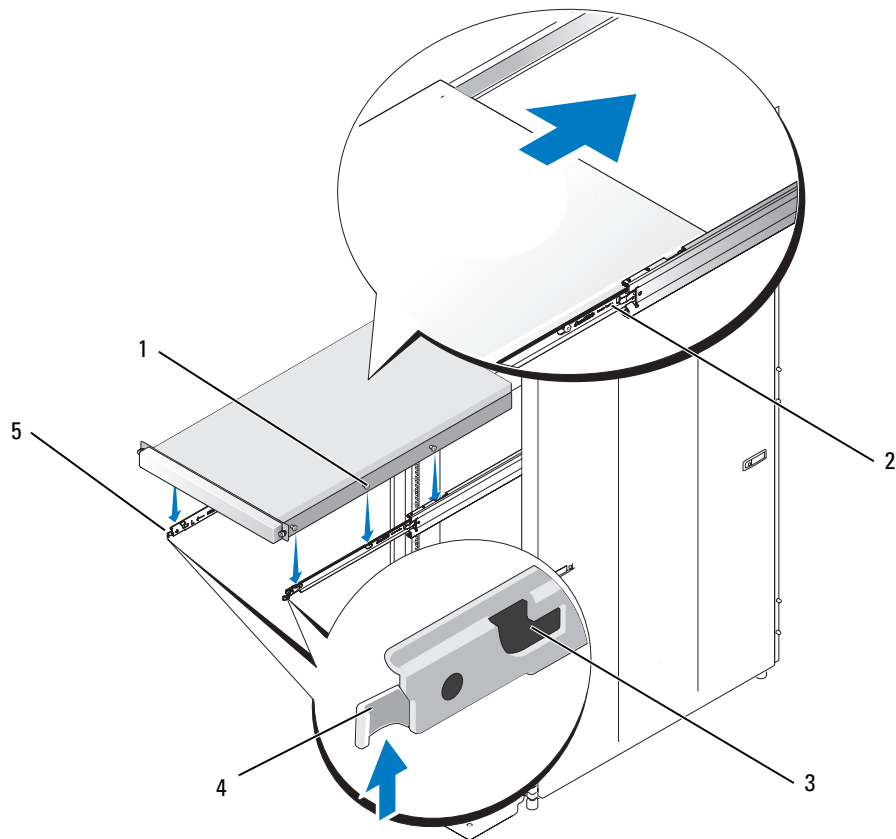
 **VORSICHT:** Wenn Sie mehr als ein System installieren, installieren Sie das erste System in der untersten möglichen Position im Rack.

 **VORSICHT:** Wegen der Größe und des Gewichts des Systems sollten Sie niemals versuchen, das System ohne fremde Hilfe in den Montageschienen zu installieren.

Installation eines Systems mit Gleitschienen

- 1** Ziehen Sie die zwei inneren Gleitschienen aus dem Rack, bis sie in der vollständig ausgezogenen Position einrasten (siehe Abbildung 1-9).
- 2** Heben Sie das System über den herausgezogenen Gleitschienen in Position.
Die jeweils drei Ansatzschrauben an den Seiten des Systems greifen in die entsprechenden J-förmigen Aussparungen in den inneren Schienensätzen (siehe Abbildung 1-9).
- 3** Senken Sie die Rückseite des Systems ab, und richten Sie dabei die hinteren Ansatzschrauben auf den Seiten des Systems mit den J-förmigen Aussparungen in den Schienensätzen aus.
- 4** Lassen Sie die hinteren Ansatzschrauben in die jeweiligen J-förmigen Aussparungen eingreifen.
- 5** Senken Sie die Systemvorderseite ab, und führen Sie die mittleren und vorderen Ansatzschrauben in die jeweiligen J-förmigen Aussparungen in den Schienensätzen ein.
Die Systemsperrklinke auf der Vorderseite der inneren Gleitschiene schnappt zurück, wenn die Ansatzschraube in die vordere Aussparung gelangt. Mit dieser Sperrklinke können Sie das System aus den Gleitschienen entfernen.
- 6** Drücken Sie auf die Sperrklinken an den Außenseiten der inneren Gleitschienen und schieben Sie das System vollständig in das Rack.
- 7** Installieren Sie den Kabelführungsarm. Siehe „Installation der Ablage und des Kabelführungsarms (nur bei Kits mit Gleitschienen)“ auf Seite 102.
- 8** Ziehen Sie die Rändelschrauben auf der Rack-Vorderseite fest, um die Schienensätze am Rack zu sichern.

Abbildung 1-9. Installation eines Systems mit Gleitschienen



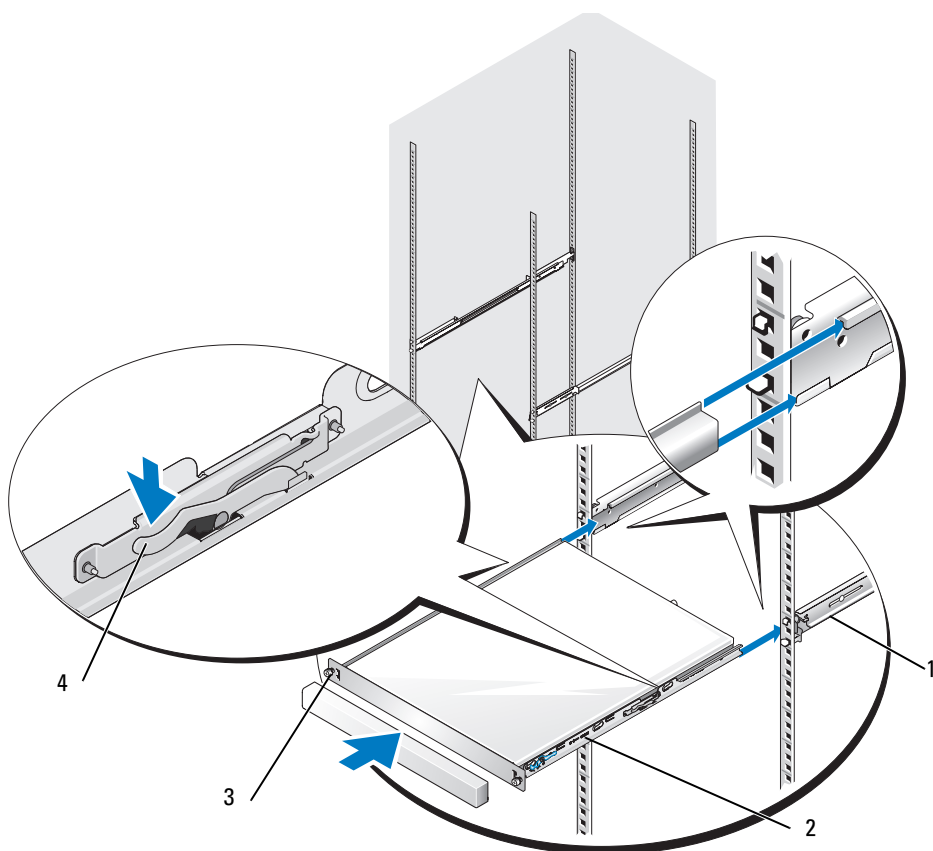
- | | | | | | |
|---|---------------------|---|------------------------------|---|----------------------------|
| 1 | Ansatzschrauben (6) | 2 | Sperrklinke der Gleitschiene | 3 | J-förmige Aussparungen (6) |
| 4 | Vordere Sperrklinke | 5 | Innere Gleitschienen (2) | | |

Installation eines Systems mit festen Schienen

Um das System im Rack zu installieren, gehen Sie wie folgt vor:

- 1 Heben Sie das Gehäuse von der Vorderseite des Systems aus in Position, sodass die festen Schienenmodule am Gehäuse mit den Montageschienen am Rack ausgerichtet sind.
- 2 Schieben Sie das Gehäuse bis zum Anschlag in die Montageschienen (siehe Abbildung 1-10).
- 3 Sichern Sie das Gehäuse mit den beiden Rändelschrauben auf der Vorderseite.
- 4 Installieren Sie gegebenenfalls die optionale Frontverkleidung. Siehe Vorgehensweise zum Anbringen der Fronverkleidung in der Dokumentation des Systems.

Abbildung 1-10. Installation eines Systems mit festen Schienen

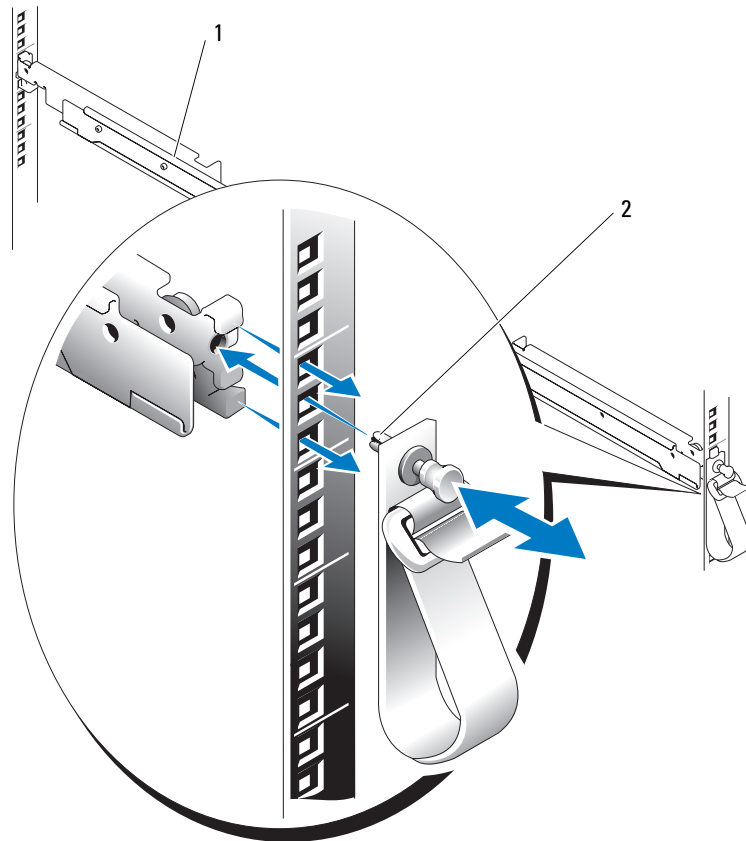


- | | | | | | |
|---|---------------------|---|-------------------------------|---|---------------------|
| 1 | Montageschienen (2) | 2 | Schienenmodule am Gehäuse (2) | 3 | Rändelschrauben (2) |
| 4 | Sperrklinken (2) | | | | |

- Suchen Sie die Befestigungspunkte für die lösbaren Kabelbinder an den zwei hinteren Montagehalterungsflanschen (siehe Abbildung 1-11).

Mit diesen Kabelbindern werden die Systemkabel an den Montageschienen gesichert.

Abbildung 1-11. Lösbare Kabelbinder befestigen



1 Montageschienen (2)

2 Lösbare Kabelbinder (2)

- Schieben Sie das Verbindungsstück des Kabelbinders durch den Befestigungspunkt.
- Drücken Sie den Kabelbinder bis zum Einrasten in die Montageschiene.
- Sichern Sie die Systemkabel mit den lösbaren Kabelbindern an den Montageschienen.

Wiederanbringen der Rack-Türen

Siehe Vorgehensweise zum Einsetzen der Türen in der Rack-Dokumentation.

⚠ VORSICHT: Da die Rack-Türen sehr groß und schwer sind, versuchen Sie niemals, die Türen ohne fremde Hilfe abzunehmen oder einzubauen.

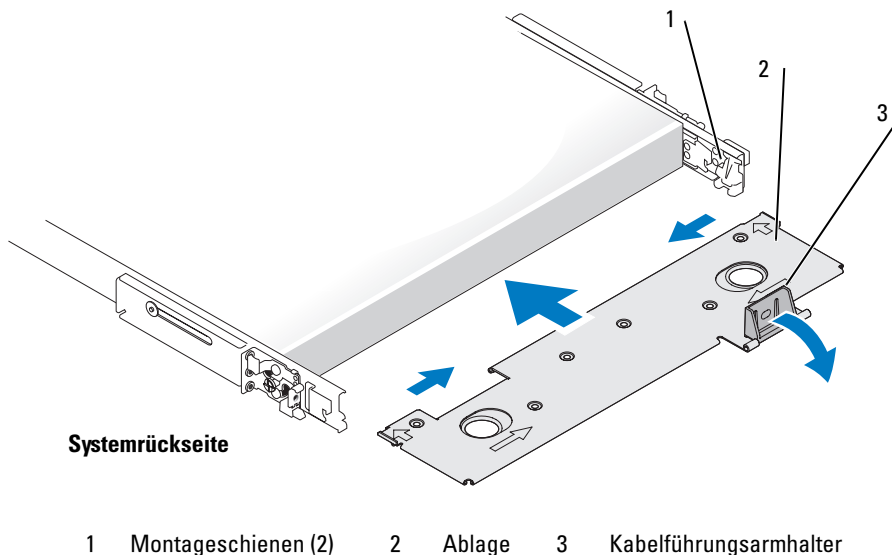
Installation der Ablage und des Kabelführungsarms (nur bei Kits mit Gleitschienen)

✎ ANMERKUNG: Dieser Vorgang gilt nicht für das Kit mit festen Schienen.

Installation der Ablage

- 1 Führen Sie auf der Systemrückseite die Enden der Ablage zwischen die Enden der Montageschienen, und schieben Sie die Ablage bis zum Einrasten nach vorn (siehe Abbildung 1-12).
- 2 Um die Installation des Kabelführungsarms vorzubereiten, drücken Sie auf die Sperrklinke in der Mitte des Kabelführungsarmhalters, und kippen Sie den Halter nach unten (siehe Abbildung 1-12).

Abbildung 1-12. Installation der Ablage

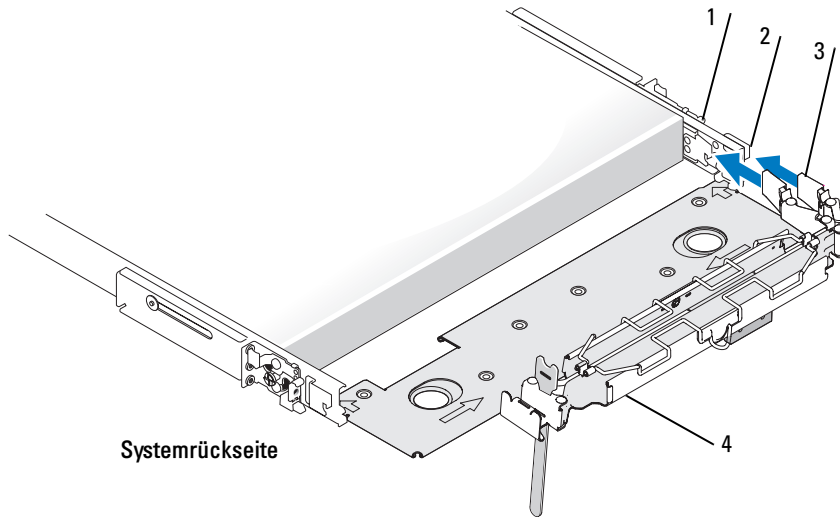


Installation des Kabelführungsarms

ANMERKUNG: Sie können den Kabelführungsarm an der rechten oder der linken Montageschiene befestigen, je nachdem, wie Sie die Systemkabel verlegen wollen.

- 1 Drücken Sie auf der Ablage gegebenenfalls auf die Sperrklinke in der Mitte des Kabelführungsarmhalters, und kippen Sie den Halter nach unten (siehe Abbildung 1-12).
- 2 Befestigen Sie auf der Systemrückseite die Sperrklinke am vorderen Ende des Kabelführungsarms an der inneren Halterung des Schienensatzes, bis die Verbindung einrastet (siehe Abbildung 1-13).
- 3 Befestigen Sie die Sperrklinke am losen Ende des Kabelführungsarms an der äußeren Halterung des Schienensatzes, bis die Verbindung einrastet (siehe Abbildung 1-13).

Abbildung 1-13. Installation des Kabelführungsarms

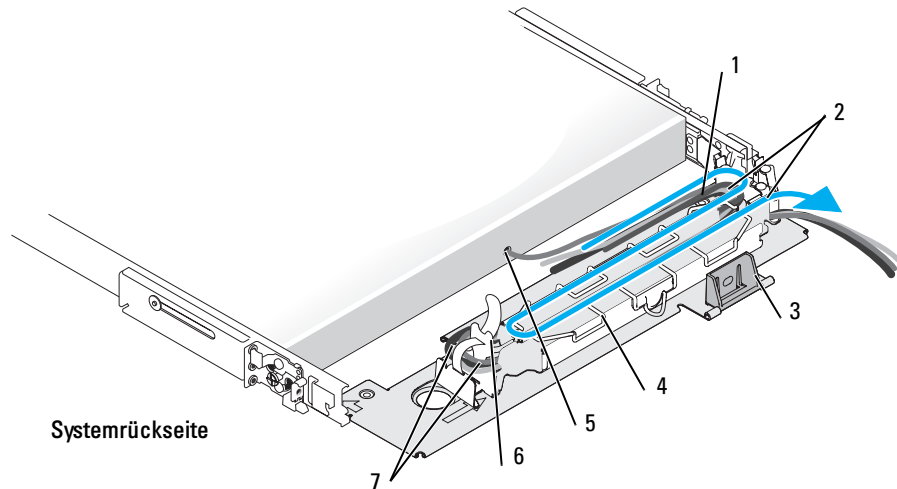


- | | | | | | |
|---|---------------------|---|-----------------|---|------------------|
| 1 | Montageschienen (2) | 2 | Halterungen (2) | 3 | Sperrklinken (2) |
| 4 | Kabelführungsarm | | | | |

Verlegen der Kabel

- 1 Öffnen Sie die Kabeltunnelabdeckung auf der Oberseite des Kabelführungsarms, um die Kabel im Arm verlegen zu können (siehe Abbildung 1-14).

Abbildung 1-14. Kabel im Kabelführungsarm verlegen



- | | | | | | |
|---|-----------------------------|---|------------------------------------|---|------------------------|
| 1 | Kabelführungsarm | 2 | Vorinstallierte Kabelbinder | 3 | Kabelführungsarmhalter |
| 4 | Abdeckung | 5 | Steckplatz für Systemstatusanzeige | 6 | Klettverschluss |
| 7 | Vorinstallierte Kabelbinder | | | | |

- 2 Verbinden Sie gegebenenfalls den Stecker des Statusanzeigekabels mit dem zugehörigen Anschluss auf der Systemrückseite.


Verlegen Sie das Kabel der Systemstatusanzeige entlang des Kabelführungsarms, und befestigen Sie das LED-Ende am Steckplatz am Ende des Kabelführungsarms.

- 3 Verbinden Sie die Daten- und Netzstromkabel mit den entsprechenden Anschlüssen auf der Rückseite des Systems.

Ausführliche Informationen zu Kabelverbindungen finden Sie in der *Getting Started Guide* (Anleitung „Erste Schritte“) oder im *Hardware Owner's Manual* (Hardware-Benutzerhandbuch) zum System.

ANMERKUNG: Verwenden Sie die Zugentlastungsschlaufen auf der Rückseite der Netzteile, um die Netzstromkabel zu entlasten.

- 4 Bündeln Sie die Kabel mit den Kabelbindern aus dem Rack-Kit, sodass sie bei angrenzenden Systemen im Rack nicht stören.

- 5 Verlegen Sie die Kabel in den Kabeltunneln des Kabelführungsarms.
- 6 Sorgen Sie gegebenenfalls für Kabelzuschlag im Scharnierbereich, und sichern Sie die Kabel mit dem vertikalen Klettverschluss (siehe Abbildung 1-14).
- 7 Verwenden Sie die vorinstallierten Kabelbinder am inneren Ende und Scharnierpunkt des Kabelführungsarms, um die gebündelten Kabel im Kabelführungsarm zu sichern (siehe Abbildung 1-14).
- 8 Schließen Sie die Kabeltunnelabdeckung.
- 9 Lösen Sie die Rändelschrauben, mit denen die Systemvorderseite an der vorderen vertikalen Schiene gesichert wird.
- 10 Bewegen Sie das System im Rack vor und zurück, um zu überprüfen, ob die Kabel korrekt verlegt sind und nicht eingeklemmt oder gedehnt werden bzw. die Bewegung des Kabelführungsarms beeinträchtigen. Passen Sie gegebenenfalls die Lage der Kabel im Kabelführungsarm an.
 -  **ANMERKUNG:** Wenn Sie das System vollständig herausziehen, werden die Schiebeneinheiten in der ausgezogenen Position verriegelt. Um die Sperre zu entriegeln, drücken Sie die Sperrklinke auf der Seite der Gleitschiene, und schieben Sie dann das System in das Rack.
- 11 Wenn Sie mit der Kabelführung zufrieden sind, schieben Sie das System vollständig in das Rack.
- 12 Heben Sie den Kabelführungsarmhalter an der Ablage an, um den Arm zu sichern (siehe Abbildung 1-14).

Entfernen des Systems aus dem Rack

Entfernen eines Systems mit Gleitschienen

Gehen Sie wie folgt vor, um das System aus dem Rack zu entfernen:

- 1 Schalten Sie das System sowie die angeschlossenen Peripheriegeräte aus und unterbrechen Sie die Stromzufuhr.
- 2 Entfernen Sie die Daten- und Netzstromkabel von den entsprechenden Anschlüssen auf der Rückseite des Systems.
- 3 Lösen Sie die Rändelschrauben auf beiden Seiten der Gehäusefrontplatte, die das System am Rack sichern.
- 4 Ziehen Sie das System aus dem Rack, bis die Schienen in der ausgezogenen Position einrasten.
- 5 Ziehen Sie an beiden Schienen die vordere Sperrklinke nach oben (siehe Abbildung 1-9), und schieben Sie das System nach vorn.
- 6 Ziehen Sie das System vollständig aus dem Rack.

Entfernen eines Systems mit festen Schienen

Gehen Sie wie folgt vor, um das System aus dem Rack zu entfernen:

- 1** Schalten Sie das System sowie die angeschlossenen Peripheriegeräte aus und unterbrechen Sie die Stromzufuhr.
- 2** Lösen Sie die Rändelschrauben auf beiden Seiten der Gehäusefrontplatte, die das System am Rack sichern.
- 3** Trennen Sie alle Kabel vom System.
- 4** Ziehen Sie das System bis zur Sicherungsraste aus dem Rack.
- 5** Drücken Sie auf die Sperrklinken auf den Seiten des Systems (siehe Abbildung 1-10).
- 6** Ziehen Sie das System vollständig aus dem Rack.

Montage in einem Zwei-Stützen-Rack

Das Zwei-Stützen-Rack-Kit wird für die Montage eines Systems in einem offenen Relaisgestell mit zwei Stützen verwendet, wie man es zum Beispiel bei Telekommunikationsanlagen findet. Es können sowohl 7,62 cm (3 Zoll) als auch 15,24 cm (6 Zoll) breite Racks mit zwei Stützen und universellem Lochabstand oder weitem Lochabstand installiert werden. Sie können dieses Kit entweder für die Mittenmontage oder für die bündige Montage verwenden.

Sie müssen das offene Zwei-Stützen-Relaisgestell ordnungsgemäß auf dem Boden, an der Decke oder oben an der Wand befestigen und gegebenenfalls mit benachbarten Gestellschränken verbinden. Verwenden Sie hierzu Boden- und Wandbefestigungen sowie Stützen, die vom Rack-Hersteller spezifiziert oder zugelassen sind bzw. dem Industriestandard entsprechen. Lesen Sie zuerst die Warnungen in der Dokumentation des Zwei-Stützen-Racks, bevor Sie mit dem Einbau beginnen.

 **VORSICHT: Montieren Sie niemals Systeme in einem offenen Zwei-Stützen-Relaisgestell, das nicht sicher verankert ist. Andernfalls kann das System beschädigt oder Sie bzw. andere Personen verletzt werden.**


Sicherheitshinweise


Beachten Sie die nachfolgenden Sicherheitshinweise, um Ihre eigene Sicherheit zu gewährleisten und eine Beschädigung des Systems und der Arbeitsumgebung zu vermeiden. Vollständige Informationen über die Sicherheitsanforderungen finden Sie im *Produktinformationshandbuch*.

SICHERHEIT: Montieren von Systemen im Rack

Beachten Sie die folgenden Vorsichtsmaßnahmen für die Stabilität und Sicherheit des Racks. Spezielle Warnungen und/oder Sicherheitshinweise und Prozeduren finden Sie auch in der zum System gehörenden Dokumentation zur Rack-Installation.

Systeme gelten als Komponenten in einem Rack. Der Begriff „Komponente“ bezieht sich also auf ein beliebiges System oder auch Peripheriegeräte und Zusatzhardware.

 **VORSICHT: Ziehen Sie nach dem Einbau von Systemen bzw. Komponenten in einem Rack niemals mehr als eine Komponente gleichzeitig auf den Gleitschienen aus dem Rack. Durch das Gewicht von mehr als einer Komponente kann das Rack umkippen und Verletzungen verursachen.**

 **ANMERKUNG:** Das System ist als frei stehende Einheit und für die Verwendung als Komponente in einem Dell-Rack unter Verwendung des kundenseitigen Rack-Kits sicherheitszertifiziert. Die Installation des Systems und des Rack-Kits in anderen Racks ist von keiner Prüfbehörde abgenommen. Sie sind selbst dafür verantwortlich, dass die endgültige Kombination von System und Rack alle geltenden Sicherheitsstandards und die lokalen elektrischen Richtlinien erfüllt. Dell übernimmt keinerlei Haftung und Gewährleistung für derartige Kombinationen.

- System-Rack-Kits sollten von geschulten Servicetechnikern in einem Rack installiert werden. Wenn Sie das Kit in einem anderen Rack installieren, vergewissern Sie sich, dass das Rack die Spezifikationen eines Dell-Racks erfüllt.



VORSICHT: Große Racks dürfen nicht von einer Person allein bewegt werden. Wegen der Höhe und des Gewichts des Racks sollte diese Arbeit mit mindestens zwei Personen durchgeführt werden.

- Bestücken Sie das Rack immer von unten nach oben, und setzen Sie die schwerste Komponente zuerst ein.
- Vergewissern Sie sich, dass das Rack gerade und stabil steht, bevor Sie eine Komponente aus dem Rack ziehen.
- Es besteht Quetschgefahr für die Finger, wenn Sie auf die Schienenverriegelung der Komponente drücken und eine Komponente in das Rack schieben oder herausziehen.
- Überlasten Sie nicht den Wechselstromkreis, über den das Rack mit Strom versorgt wird. Die Gesamtlast des Racks sollte 80 Prozent der Nennbelastbarkeit des Stromkreises nicht überschreiten.
- Überprüfen Sie, ob eine ausreichende Luftzufuhr zu den Komponenten im Rack gewährleistet ist.
- Treten Sie nicht auf Komponenten oder stellen sich darauf, wenn Sie an anderen Komponenten in einem Rack Arbeiten durchführen.

Vorbereitungen

Lesen Sie vor dem Einbau des Systems im Rack sorgfältig den Abschnitt „Sicherheitshinweise“ am Anfang dieser Anleitung sowie die Sicherheitshinweise im *Product Information Guide* (Produktinformationshandbuch).



VORSICHT: Wenn Sie mehrere Systeme in einem Rack installieren, schließen Sie alle Maßnahmen für ein System ab, bevor Sie das nächste System installieren.



ANMERKUNG: Wie das System als solches installiert wird, erfahren Sie unter „Installation des Systems im Rack“ auf Seite 118.

Wichtige Sicherheitshinweise

Beachten Sie beim Einbau des Systems im Rack die Sicherheitsmaßnahmen in den folgenden Unterabschnitten.



VORSICHT: Befolgen Sie die in diesem Dokument angegebene Vorgehensweise genau, um sich selbst und andere Personen nicht zu gefährden. Das System ist möglicherweise sehr groß und schwer. Sie sollten die Installation sorgfältig vorbereiten und planen, um Verletzungen vorzubeugen. Diese Vorkehrungen gelten umso mehr, wenn Systeme oben im Rack installiert werden.



VORSICHT: Installieren Sie keine Rack-Kit-Komponenten, die für andere Systeme vorgesehen sind. Verwenden Sie ausschließlich das für das System vorgesehene Rack-Kit. Wenn Sie das Rack-Kit für ein anderes System verwenden, könnte das System beschädigt und Sie selbst oder andere Personen verletzt werden.

Empfohlene Werkzeuge und Zubehör

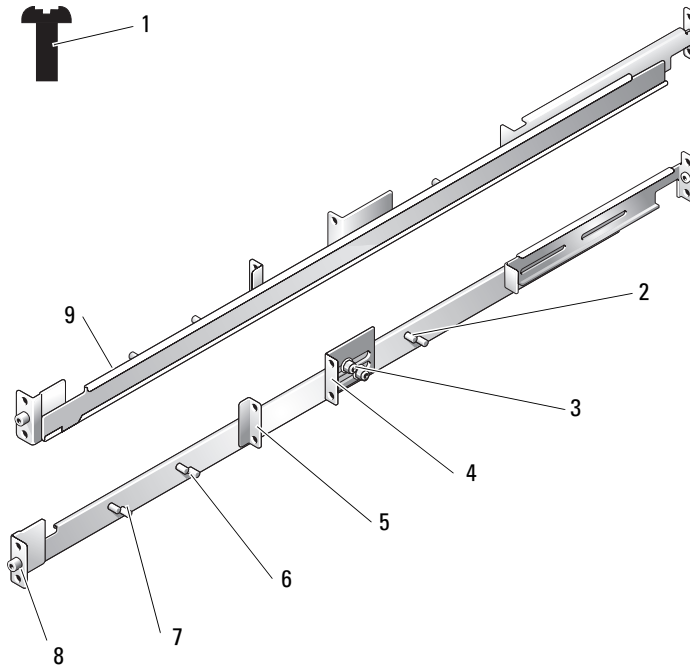
- Kreuzschlitzschraubendreher der Größe 2
- 3/8-Zoll Schraubenschlüssel oder Steckschlüssel (bei Wechsel der Halterung für bündige Montage)
- Kreppband oder Filzstift zur Markierung der korrekten Montagelöcher

Inhalt des Rack-Kits

Das Rack-Kit für zwei Stützen enthält folgende Komponenten (siehe Abbildung 2-1):

- Ein Paar Montageschienen
- 12-24 x 0,5 Zoll-Flachkopfkreuzschlitzschrauben (8)
- Lösbare Kabelbinder (2) (nicht dargestellt in Abbildung 2-1)

Abbildung 2-1. Komponenten des Rack-Kits für zwei Stützen



1	12-24 x 0,5 Zoll-Flachkopfkreuzschlitzschrauben (8)	2	Gewindebolzen im Abstand 15,24 cm (6 Zoll) für Mittenmontage	3	Gewindebolzen im Abstand 7,62 cm (3 Zoll) für Mittenmontage
4	Einstellbarer Montageflansch	5	Montageflansch für Mittenmontage	6	Gewindebolzen im Abstand 15,24 cm (6 Zoll) für bündige Montage
7	Gewindebolzen im Abstand 7,62 cm (3 Zoll) für bündige Montage	8	Montageflansch für bündige Montage	9	Montageschienen (2)

Ablauf der Installation

Bei der Montage eines Zwei-Stützen-Rack-Kits sind die folgenden Arbeitsschritte in der angegebenen Reihenfolge auszuführen:

- 1 Markieren des Racks
 - Rack mit universellem Lochabstand
 - Rack mit weitem Lochabstand
- 2 Installation der Montageschienen im Rack
 - Befestigung in Mittenmontage
 - Befestigung in bündiger Montage
- 3 Installation des Systems im Rack
- 4 Verlegen der Kabel

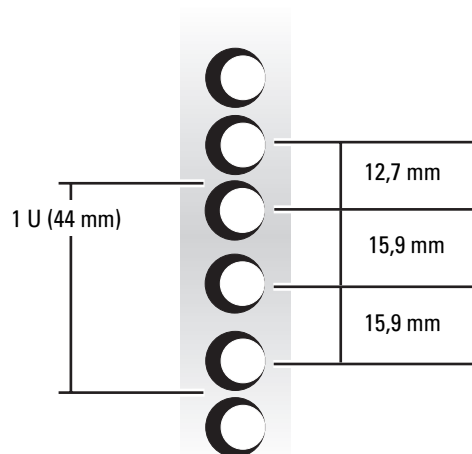
Markieren des Racks

Für jedes System, das Sie im Rack mit zwei Stützen installieren, benötigen Sie 1 Einheit (1 U = 44 mm bzw. 1,75 Zoll) vertikalen Abstand.

Racks mit universellem Lochabstand

Racks mit universellem Lochabstand besitzen ein sich wiederholendes Muster aus drei Löchern pro Rack-Einheit, deren Mittenabstand (beginnend in der Mitte des oberen Lochs einer 1-U-Einheit) 15,9 mm, 15,9 mm und 12,7 mm (0,625 Zoll, 0,625 Zoll und 0,5 Zoll) für die vordere und hintere vertikale Lochreihe beträgt (siehe Abbildung 2-2).

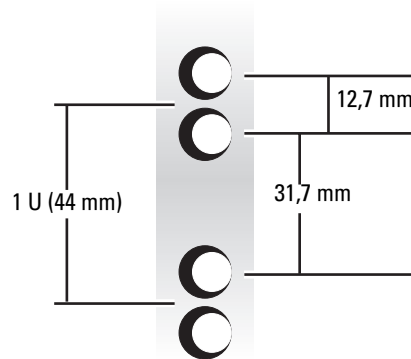
Abbildung 2-2. Universeller Lochabstand beim offenen Relaisgestell mit zwei Stützen



Racks mit weitem Lochabstand


Racks mit weitem Lochabstand besitzen ein sich wiederholendes Muster aus zwei Löchern pro Rack-Einheit, deren Mittenabstand (beginnend mit dem oberen Loch einer 1-U-Einheit) 31,7 mm und 12,7 mm (1,25 Zoll bzw. 0,5 Zoll) für die vordere und hintere vertikale Lochreihe beträgt (siehe Abbildung 2-3).

Abbildung 2-3. Weiter Lochabstand beim offenen Relaisgestell mit zwei Stützen



Gehen Sie zum Markieren des Racks wie folgt vor:

- 1 Bringen Sie auf den vorderen vertikalen Schienen des Racks eine Markierung an der Stelle an, an der sich die Unterseite des Systems befinden soll, das Sie in das Zwei-Stützen-Rack einbauen.
Die Unterkante jeder 1-U-Einheit befindet sich in der Mitte des schmalsten Metallstücks zwischen den Löchern.

 **ANMERKUNG:** Wenn das Rack einen weiten Lochabstand hat, gehen Sie zu Schritt 3.

- 2 Setzen Sie eine Markierung 44 mm (1,75 Zoll) über die ursprüngliche Markierung (oder zählen Sie in einem Rack mit universellem Lochabstand drei Löcher nach oben, siehe Abbildung 2-2).

Jede vertikale 1-U-Einheit (44 mm oder 1,75 Zoll) in einem Rack mit universellem Lochabstand verfügt über drei Löcher, deren Mittenabstand zueinander (beginnend mit dem oberen Loch einer 1-U-Einheit) 15,9 mm, 15,9 mm und 12,7 mm (0,625 Zoll, 0,625 Zoll und 0,5 Zoll) beträgt (siehe Abbildung 2-2).

 **ANMERKUNG:** Wenn das Rack einen universellen Lochabstand hat, ist das Markieren des Racks damit abgeschlossen.

- 3 Setzen Sie eine Markierung 44 mm (1,75 Zoll) über die ursprüngliche Markierung (oder zählen Sie in einem Rack mit weitem Lochabstand bis zum nächsten Loch nach oben, siehe Abbildung 2-3).

Jede vertikale 1-U-Einheit (44 mm oder 1,75 Zoll) in einem Rack mit universellem Lochabstand hat zwei Löcher, deren Mittenabstand zueinander (beginnend mit dem oberen Loch einer 1-U-Einheit) 31,7 mm (1,25 Zoll) beträgt (siehe Abbildung 2-3).

Installation der Montageschienen

Sie können die Montageschienen in einem offenen Zwei-Stützen-Rack mit entweder universellem Lochabstand (siehe Abbildung 2-2) oder weitem Lochabstand (siehe Abbildung 2-3) installieren. Die Montageschienen lassen sich mit bündiger Montage oder Mittenmontage einbauen.



VORSICHT: Installieren Sie mit diesem Rack-Kit keine anderen Systeme. Verwenden Sie ausschließlich das für Ihr System konzipierte Rack-Kit. Wenn Sie das Rack-Kit für ein anderes System verwenden, könnte das System beschädigt und Sie selbst oder andere Personen verletzt werden.

Mittenmontage

Im Lieferumfang des Zwei-Stützen-Rack-Kits sind Haltungen für Mittenmontage mit 7,62 cm Breite (3 Zoll) enthalten. Zum Anbringen der Schienenkomponenten siehe Abbildung 2-1. Um die Montage abzuschließen, führen Sie folgende Schritte aus:

- 1 Schieben Sie auf der rechten Montageschiene die einstellbare Montagehalterung nach hinten (siehe Abbildung 2-4).
- 2 Setzen Sie die rechte Montageschiene an der markierten Stelle in das Rack mit zwei Stützen ein, schieben Sie die einstellbare Halterung für Mittenmontage nach vorne gegen das vertikale Zwei-Stützen-Rack, und sichern Sie den Montageflansch und die einstellbare Montagehalterung am Rack mit zwei 12-24 x 0,5 Zoll-Flachkopfkreuzschlitzschrauben (siehe Abbildung 2-4).
- 3 Wiederholen Sie Schritt 1 und Schritt 2 für den Einbau der linken Montageschiene im Rack.

Abbildung 2-4. Einbau der Montageschienen bei Mittenmontage



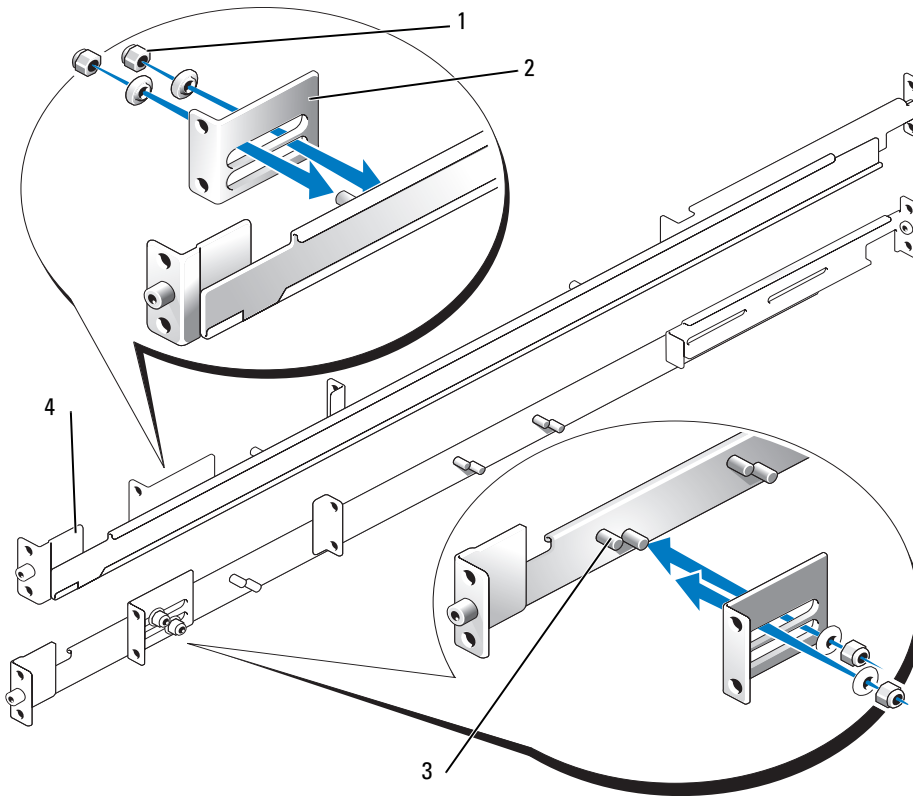
- | | | | | | |
|---|-------------------------------|---|---|---|----------------------------------|
| 1 | Offenes Rack mit zwei Stützen | 2 | 12-24 x 0,5 Zoll-Flachkopfkreuzschlitzschrauben (4 pro Schiene) | 3 | Montageflansch für Mittenmontage |
| 2 | Montageschienen (2) | 4 | Systemschienen (2) | 6 | Sperklinke |

Installation mit bündiger Montage

Im Lieferumfang des Zwei-Stützen-Rack-Kits sind Haltungen für Mittenmontage mit 7,62 cm Breite (3 Zoll) enthalten. Zum Anbringen der Schienenkomponenten siehe Abbildung 2-1. Gehen Sie zum Vorbereiten der Montageschienen für die bündige Montage im Zwei-Stützen-Rack wie folgt vor:

- 1** Legen Sie die beiden Montageschienen nebeneinander auf eine ebene Arbeitsfläche, wobei die vorderen Enden der Montageschienen zu Ihnen zeigen (siehe Abbildung 2-5).
- 2** Entfernen Sie mit einem 3/8-Zoll-Schlüssel oder -Steckschlüssel zwei Muttern aus der einstellbaren Montagehalterung (siehe Abbildung 2-5).
- 3** Nehmen Sie die Halterung ab, und setzen Sie die Halterung dann auf die Gewindebolzen für bündige Montage mit 7,62 cm (3 Zoll) oder 15,24 cm (6 Zoll) Abstand (siehe Abbildung 2-5).
- 4** Verwenden Sie die in Schritt 2 entfernten Muttern, um die einstellbare Montagehalterung zu sichern; ziehen Sie die Muttern zunächst fingerfest an (siehe Abbildung 2-5).
- 5** Wiederholen Sie Schritt 2 bis Schritt 4 zur Vorbereitung der anderen Montageschiene.

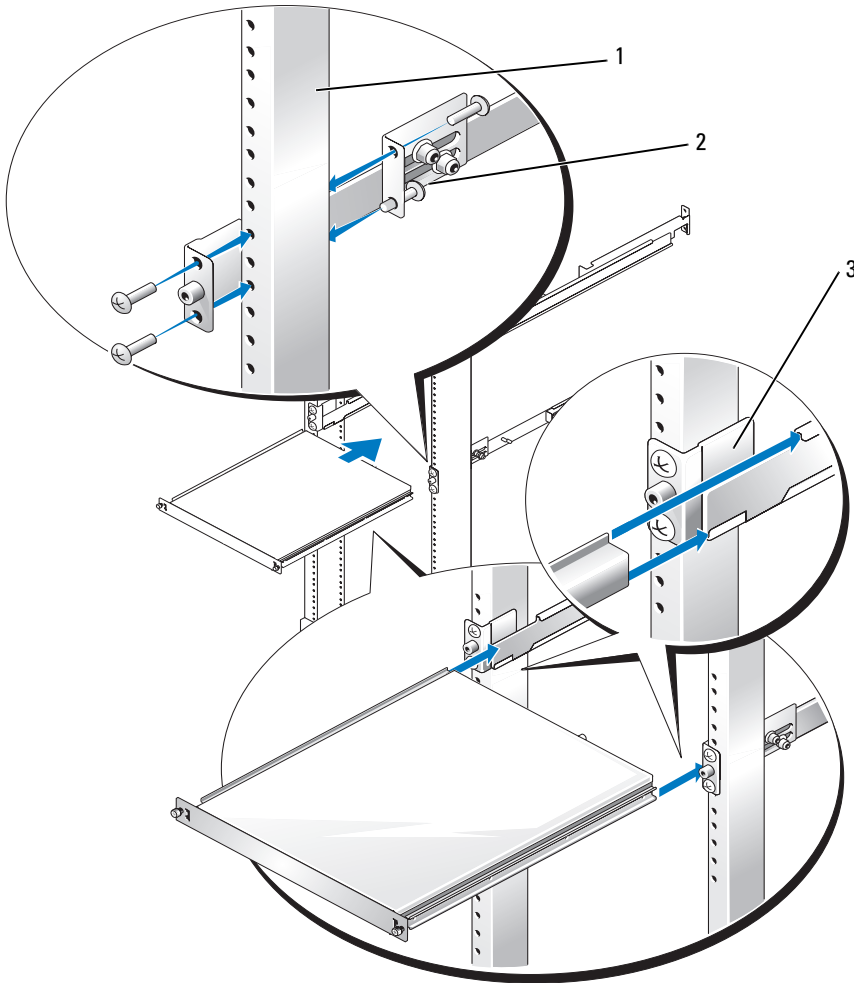
Abbildung 2-5. Einstellbare Montagehalterung für bündige Montage konfigurieren



- | | | | | | |
|---|------------------------------------|---|-------------------------------|---|---|
| 1 | Muttern (2 pro Halterung) | 2 | Einstellbare Montagehalterung | 3 | Gewindebolzen im Abstand 7,62 cm (3 Zoll) für bündige Montage |
| 4 | Montageflansch für bündige Montage | | | | |

- 6 Halten Sie die linke Montageschiene an die markierte Stelle, positionieren Sie den Montageflansch für bündige Montage gegen die Vorderseite des vertikalen Zwei-Stützen-Racks, und sichern Sie ihn mit zwei 12-24 x 0,5 Zoll-Flachkopfkreuzschlitzschrauben an der Schiene (siehe Abbildung 2-6).
- 7 Verschieben Sie die einstellbare Montagehalterung so, dass sie an der Rückseite des Zwei-Stützen-Racks anliegt, und sichern Sie sie an der Schiene mit 12-24 x 0,5 Zoll-Flachkopfkreuzschlitzschrauben (siehe Abbildung 2-6).
- 8 Wiederholen Sie Schritt 6 und Schritt 7 für den Einbau der rechten Montageschiene im Rack.
- 9 Ziehen Sie mit einem 3/8-Zoll-Schlüssel oder -Steckschlüssel die Muttern an den einstellbaren Montagehalterungen auf beiden Montageschienen fest.

Abbildung 2-6. Montageschienen für bündige Konfiguration installieren



- 1 Offenes Rack mit zwei Stützen 2 12-24 x 0,5 Zoll-
Flachkopfkreuzschlitz-
schrauben (4 pro Schiene) 3 Montageschienen (2)

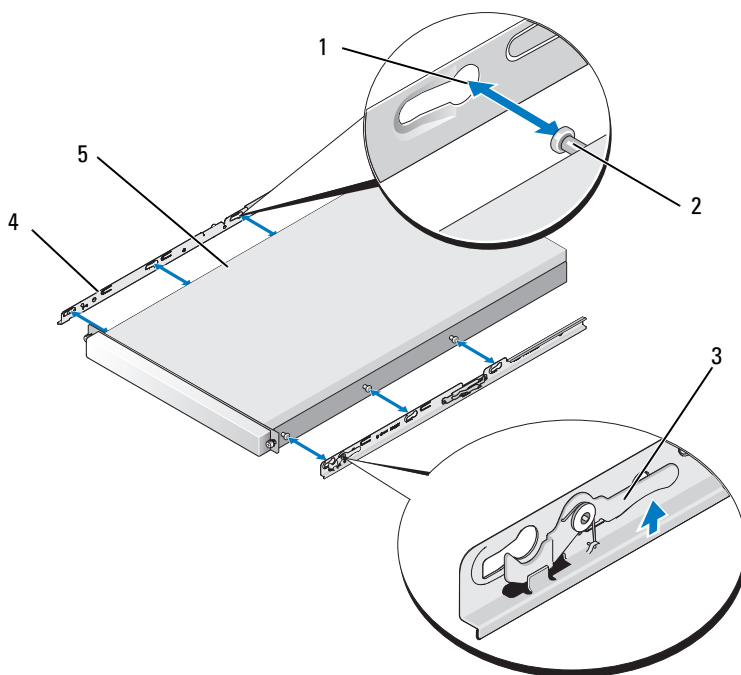
Installation von festen Schienenmodulen am Gehäuse

ANMERKUNG: Um die festen Schienenmodule zu installieren oder zu entfernen, brauchen Sie die optionale Frontverkleidung nicht abzunehmen.

- 1 Um ein Schienenmodul zu installieren, verwenden Sie die drei Befestigungslöcher am Schienenmodul und die entsprechenden Ansatzschrauben auf der Seite des Systems (siehe Abbildung 2-7).
- 2 Setzen Sie das Schienenmodul an der Seite des Systems so an, dass die Ansatzschrauben durch die weiten Aussparungen der Befestigungslöcher greifen, und schieben Sie dann das Modul zur Systemrückseite hin.
- 3 Wiederholen Sie die Schritte 1 und 2 für das andere Schienenmodul.

Um ein Schienenmodul vom Gehäuse zu entfernen, ziehen Sie die Sperrklinke nach oben, schieben Sie dann die Schiene nach vorn, und entfernen Sie das Schienenmodul vom Gehäuse.

Abbildung 2-7. Feste Schienenmodule am Gehäuse installieren und entfernen



- | | | | | | |
|---|------------------------|---|---------------------|---|-------------|
| 1 | Befestigungslöcher (6) | 2 | Ansatzschrauben (6) | 3 | Sperrklinke |
| 4 | Schienenmodule (2) | 5 | System | | |

Installation des Systems im Rack

 **VORSICHT: Wenn Sie mehr als ein System installieren, installieren Sie das erste System in der untersten möglichen Position im Rack.**

- 1 Fassen Sie das System mit der einen Hand unter der Vorderseite und mit der anderen Hand unter der Rückseite an.
- 2 Heben Sie das System in Position, sodass die Seitenschienen auf der Rückseite des Systems mit den Montageschienen im Rack ausgerichtet sind.

 **VORSICHT: Wegen der Größe und des Gewichts des Systems sollten Sie niemals versuchen, das System ohne fremde Hilfe in den Montageschienen zu installieren.**

- 3 Schieben Sie das System bis zum Anschlag in die Montageschienen.
- 4 Drücken Sie die Rändelschrauben an den Seiten des Systemgehäuses hinein und drehen Sie sie fest, um das System am Rack zu sichern.

Entfernen des Systems aus dem Rack

Gehen Sie wie folgt vor, um das System aus dem Rack zu entfernen:

- 1 Schalten Sie das System sowie die angeschlossenen Peripheriegeräte aus und unterbrechen Sie die Stromzufuhr.
- 2 Lösen Sie die Rändelschrauben auf beiden Seiten der Gehäusefrontplatte, die das System am Rack sichern.
- 3 Trennen Sie alle Kabel vom System.
- 4 Ziehen Sie das System bis zur Sicherungsraste aus dem Rack.
- 5 Drücken Sie auf die Sperrklinken auf den Seiten des Systems (siehe Abbildung 1-10).
- 6 Ziehen Sie das System vollständig aus dem Rack.

Index

E

Einsetzen der Rack-Türen, 102

I

Inhaltsliste

VersaRails-Kit, 88-89

Zwei-Stützen-Rack-Kit, 109

Installation

Feste Schienenmodule, 94, 117

Kabelablage, 102

Kabelführungsarm, 102

Montageschienen

beim Zwei-Stützen-Rack, 112, 114

Rack-Kit für vier Stützen, 95

RapidRails-

Montageschienen, 95

System im Rack mit vier Stützen, 98, 118

VersaRails-Montage-

schienen, 94, 97, 99, 117

Installieren

Zwei-Stützen-Rack-Kit, 107

K

Kabel, 105

Kabel verlegen, 104

Kabelablage, 104

installieren, 102

Kabelführungsarm

Installation, 102

Kabel verlegen, 105

Kit-Inhalt

VersaRails, 88-89, 101

Zwei-Stützen-Rack, 109

Konfiguration mit

bündiger Montage, 114

Mittenmontage, 112

M

Markieren des Racks

Rack-Kit für vier Stützen, 90

Zwei-Stützen-

Rack-Kit, 110-111

R

Rack mit vier Stützen

System entfernen, 105, 118

Rack-Anforderungen

für VersaRails, 87

Rack-Einheit, 91

Rack-Kit für vier Stützen

Inhalt des VersaRails-Kits, 88-89

Werkzeuge und Zubehör, 87

Rack-Stabilisatoren, 87

S

Sicherheitshinweise, 85, 107

Stabilisatoren, 87

System entfernen

Rack mit vier Stützen, 105, 118

T

Türen

Einsetzen, 102

Entfernen, 90

V

VersaRails

Installation, 94, 97, 99, 117

Kit-Inhalt, 88-89, 101

Vertikale Schienen
 Eine Rack-Einheit, 91
 Markieren, 90

Vorsichtsmaßnahmen
 bei der Rack-
 Montage, 86, 108

W




Werkzeuge und Zubehör
 Rack-Kit für vier Stützen, 87
 Zwei-Stützen-Rack-Kit, 109

Z

Zwei-Stützen-Rack-Kit
 Kit-Inhalt, 109
 Markieren des Racks, 110
 Montageschienen
 installieren, 112
 Werkzeuge und Zubehör, 109

ラック取り付けガイド

メモ、注意、警告

-  **メモ**：コンピュータを使いやすくするための重要な情報を説明しています。
-  **注意**：ハードウェアの損傷やデータの損失の可能性を示し、その危険を回避するための方法を説明しています。
-  **警告**：物的損害、けが、または死亡の原因となる可能性があることを示します。

本書の内容は予告なく変更されることがあります。
© 2005 すべての著作権は Dell Inc. にあります。

Dell Inc. の書面による許可のない複製は、いかなる形態においても厳重に禁じられています。

本書で使用されている商標について：Dell、DELL ロゴ、RapidRails、および VersaRails は Dell Inc. の商標です。

本書では、必要に応じて上記以外の商標や会社名が使用されている場合がありますが、これらの商標や会社名は、一切 Dell Inc. に所属するものではありません。

目次

1	4 柱型ラックの取り付け	
	安全にお使いいただくために	125
	安全について：システムのラックへの取り付け	125
	取り付けに関する一般的なガイド	126
	作業を開始する前に	126
	安全に関する重要な注意	127
	VersaRails のラック要件	127
	ラックスタビライザ	127
	推奨する工具および備品	127
	スライドレールラックキットの内容	128
	スタティックレールラックキットの内容	129
	取り付け手順	130
	ラック扉の取り外し	130
	ラックへの印付け	130
	スライドレールアセンブリの構成（スライドレールキットのみ）	133
	シャーシスタティックレールモジュールの取り付け （スタティックレールキットのみ）	134
	ラックへのマウントレールの取り付け	135
	ラックへのシステムの取り付け	138
	スライドレールを使用するシステムの取り付け	138
	スタティックレールを使用するシステムの取り付け	140
	ラック扉の取り付け	142
	トレイとケーブルマネージメントアームの取り付け （スライドレールキットのみ）	142
	トレイの取り付け	142
	ケーブルマネージメントアームの取り付け	143
	ケーブルの配線	144
	ラックからのシステムの取り外し	145
	スライドレールを使用するシステムの取り外し	145
	スタティックレールを使用するシステムの取り外し	146

2 2柱型ラックの取り付け

安全にお使いいただくために	147
安全について：システムのラックへの取り付け	147
作業を開始する前に	148
安全に関する重要な注意	148
推奨する工具および備品	149
ラックキットの内容	149
取り付け手順	150
ラックへの印付け	150
ユニバーサル間隔で穴があるラック	150
ワイド間隔で穴があるラック	151
マウントレールの取り付け	152
センターマウント構成での取り付け	152
フラッシュマウント構成での取り付け	153
シャーシのスタティックレールモジュールの取り付け	156
ラックへのシステムの取り付け	157
ラックからのシステムの取り外し	157

索引	159
---------------------	------------

4 柱型ラックの取り付け


安全にお使いいただくために

ご自身の身体の安全を守り、システムおよび作業環境を保護するために、以下の安全に関するガイドラインに従ってください。安全および規制の詳細については、システムに付属の『製品情報ガイド』を参照してください。保証に関する情報は、『サービス&サポートのご案内』を参照してください。


安全について：システムのラックへの取り付け

ラックの安定性や安全性に関して、以下の点にご注意ください。また、特定の注意文および手順については、システムおよびラック付属のラック取り付けマニュアルを参照してください。


システムはラックの一部とみなします。したがって、「コンポーネント」には、さまざまな周辺機器やサポートハードウェアと同様に、システムも含まれます。

 **警告：**単体ラックでは正面と側面のスタビライザ、連結ラックでは正面のスタビライザを取り付けてからラックにシステムを取り付けてください。スタビライザを正しく取り付けずにシステムをラックに取り付けると、ラックが転倒し、けがをするおそれがあります。必ずスタビライザを取り付けてから、ラックにコンポーネントを取り付けてください。

ラックにシステム/コンポーネントを取り付けた後は、一度に複数のコンポーネントをラックのスライドアセンブリを使って引き出さないでください。重みでラックが転倒し、大けがをするおそれがあります。

 **メモ：**ご使用のシステムは、独立型のユニットとして、また、カスタマーラックキットで構成される Dell ラックキャビネットに取り付けるコンポーネントとして、その安全性が保証されています。それ以外のラックキャビネットにシステムおよびラックキットを取り付ける場合は、安全性が保証されません。最終的に組み合わせたシステムおよびラックについては、ユーザーの責任において、適用される安全基準および地域の電気規約の要件に適合することを確認してください。デルでは、このような組み合わせに関連するいかなる保証責任も負いません。

- システムラックキットは、トレーニングを受けたサービス技術者がラックに取り付けます。キットを別のラックに取り付ける場合は、そのラックがデルのラック仕様に適合していることを確認してください。

 **警告：**大型ラックを1人で移動しないでください。ラックの高さと重さを考慮して、少なくとも2人以上でラックを移動することをお勧めします。

- ラックで作業をする前に、スタビライザがラックに固定されて床面に伸び、ラックの全重量が床面にかかっていることを確認してください。ラックで作業をする前に、ラックが1つの場合は正面と側面のスタビライザ、複数のラックを連結する場合は正面のスタビライザを取り付けます。
- ラックには必ず下から上へと、最も重いものから順に設置してください。
- コンポーネントをラックから引き出す前に、ラックが水平で安定していることを確認してください。
- レールリリースラッチを押してコンポーネントをラックから出し入れするときは、スライドレールに指をはさまれないように注意してください。
- ラックに電力を送る AC 分岐回路に過重電流を流さないでください。ラックの総負荷が分岐回路定格の 80% を超えないようにしてください。
- ラック内のコンポーネントが十分に通気されることを確認してください。
- ラックに取り付けたコンポーネントの作業中に、他のコンポーネントの上に乗ったり、足をかけたりしないでください。

取り付けに関する一般的なガイド


本書は、ラックキャビネットに1つまたは複数のシステムを取り付ける作業を行う、トレーニングを受けたサービス技術者向けの手順書です。RapidRails™ ラックキットは、工具を使わずにすべてのシステムメーカーのラックキャビネットに取り付けることができます。VersaRails™ ラックキットは、業界規格に適合しているほとんどのラックキャビネットに取り付けることができます。RapidRails ラックキットと VersaRails ラックキットの取り付け手順はほとんど同じです。ラックキットは、ラックキャビネットに取り付けるシステム1台ごとに1セットずつ必要です。


本項には、以下の4柱型ラックキットを取り付ける手順が説明されています。


- スライドレールラックキット
- スタティックレールラックキット (RapidRails バージョンおよび VersaRails バージョン)
スタティックレールキットを2柱型ラックに取り付ける手順については、「2柱型ラックの取り付け」(147ページ)を参照してください。

作業を開始する前に

システムのラックへの取り付けを開始する前に、本書の「安全にお使いいただくために」およびご使用のシステムの『製品情報ガイド』の安全にお使いいただくための注意事項を参照し、補足情報を確認してください。


 **警告**：複数のシステムをラックに取り付ける場合は、1台のシステムの取り付け手順を完了してから、次のシステムの取り付けに進んでください。


 **警告：**ラックキャビネットはサイズが非常に大きく重量もありますが、キャスターで簡単に移動できるようになっています。このキャスターにはブレーキがないため、ラックキャビネットを移動するときは十分な注意が必要です。ラックキャビネットを別の場所に移動するときは、水平調節用の脚を収納してください。長い傾斜面、急勾配のある場所、スロープなど、バランスが取りにくい場所にはキャビネットを設置しないでください。水平調節用の脚を伸ばしてキャビネットを支え、キャビネットが動かないようにしてください。

 **メモ：**システム自体の設置方法については、「ラックへのシステムの取り付け」（138 ページ）を参照してください。


安全に関する重要な注意

システムをラックに取り付けるときは、次の各項の安全に関する注意を遵守してください。


 **警告：**作業者は、自分自身と周囲の人々を保護するために、本書の手順に必ず従ってください。本システムは非常に重量があり大きいため、ご自身や周囲の人々のけがを防ぐために準備と計画を適切に行うことが重要です。これは、特にシステムをラックの高い位置に取り付ける場合に重要になります。

 **警告：**別のシステム用に設計されたラックキットのコンポーネントは取り付けしないでください。ご使用のシステム用のラックキットのみをお使いください。別のシステム用のラックキットを使用すると、システムが損傷し、ご自身や周囲の人々のけがをするおそれがあります。

VersaRails のラック要件

 **注意：**VersaRails ラックキットは、米国規格協会（ANSI） / 米国電子工業会（EIA）規格 ANSI/EIA-310-D-92、国際電気標準会議（IEC） 297、ドイツ工業規格（DIN） 41494 の仕様を満たすラックについてトレーニングを受けたサービス技術者が取り付けるように設計されています。ラックキットは、ラックに取り付けるシステム 1 台につき 1 セット必要です。

ラックスタビライザ

 **警告：**単体ラックでは正面と側面のスタビライザ、連結ラックでは正面のスタビライザを取り付けてからラックにシステムを取り付けてください。スタビライザを正しく取り付けずにシステムをラックに取り付けると、ラックが転倒し、けがをするおそれがあります。必ずスタビライザを取り付けてから、ラックにコンポーネントを取り付けてください。

スタビライザはラックの転倒を防ぎます。スタビライザを取り付けて床に固定する手順については、ラックキャビネットに付属のマニュアルを参照してください。

推奨する工具および備品

システムを 4 柱型ラックキャビネットに取り付ける際、以下の工具および備品が必要な場合があります。

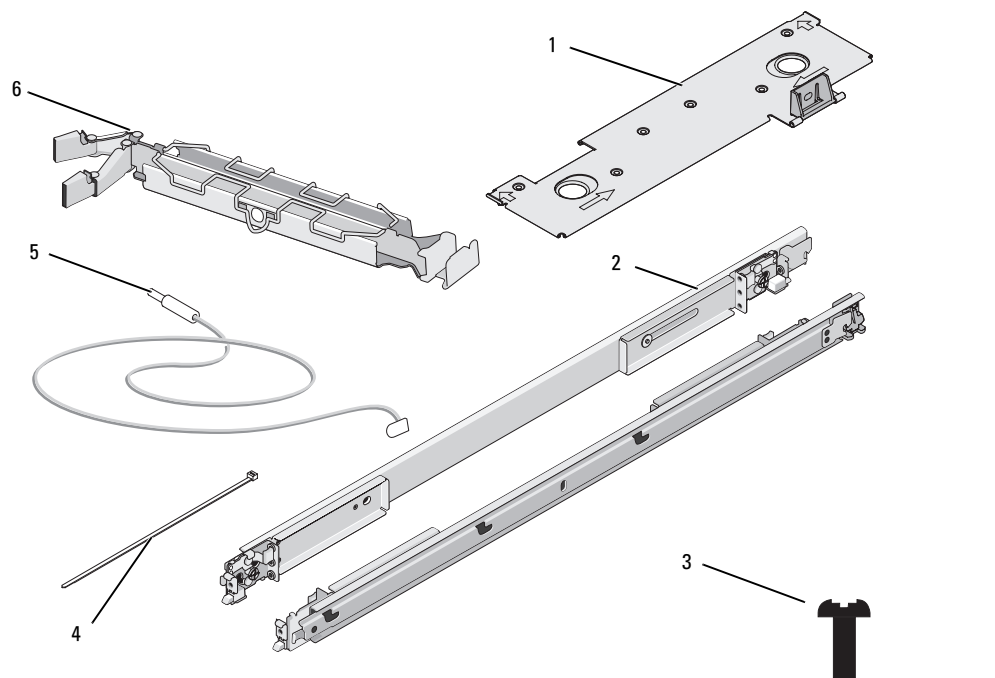
- #2 プラスドライバ
- マスキングテープまたはフェルトペン（取り付け穴に印を付けるときに使用）

スライドレールラックキットの内容

- スライドアセンブリ 1 組 (RapidRails または VersaRails の構成に変換可能)
- ケーブルマネージメントアーム 1 本
- トレイ 1 個
- ステータスインジケータケーブル 1 本 (必要な場合)
- ケーブルをケーブルマネージメントアームに固定するタイラップ
- 10-32 x 0.5 インチフランジヘッドプラスネジ 8 本 (VersaRails 構成でのみ使用)

メモ：図と手順の説明に示すメートル法規格以外のネジは、サイズとインチ当たりのネジ山数で表記されています。たとえば1インチに32本のネジ山がある#10 プラスネジは、10-32 ネジと表記します。

図 1-1 スライドレールラックキットの内容



- | | | | | | |
|---|-------|---|----------------------------|---|--|
| 1 | トレイ | 2 | スライドアセンブリ (2) | 3 | 10-32 x 0.5 インチフランジヘッド
プラスネジ (8)
(VersaRails 構成のみ) |
| 4 | タイラップ | 5 | ステータスインジケータケーブル
(必要な場合) | 6 | ケーブルマネージメントアーム |

スタティックレールラックキットの内容

- VersaRails ブラケットまたは RapidRails ブラケット を使う 1 組のスタティックマウントレール
- シャーシスタティックレールモジュール 1 組
- 10-32 x 0.5 インチフランジヘッドプラスネジ (8) (VersaRails キットのみ)
- 取り外し可能タイラップ (2) (図 1-2 には記載なし)


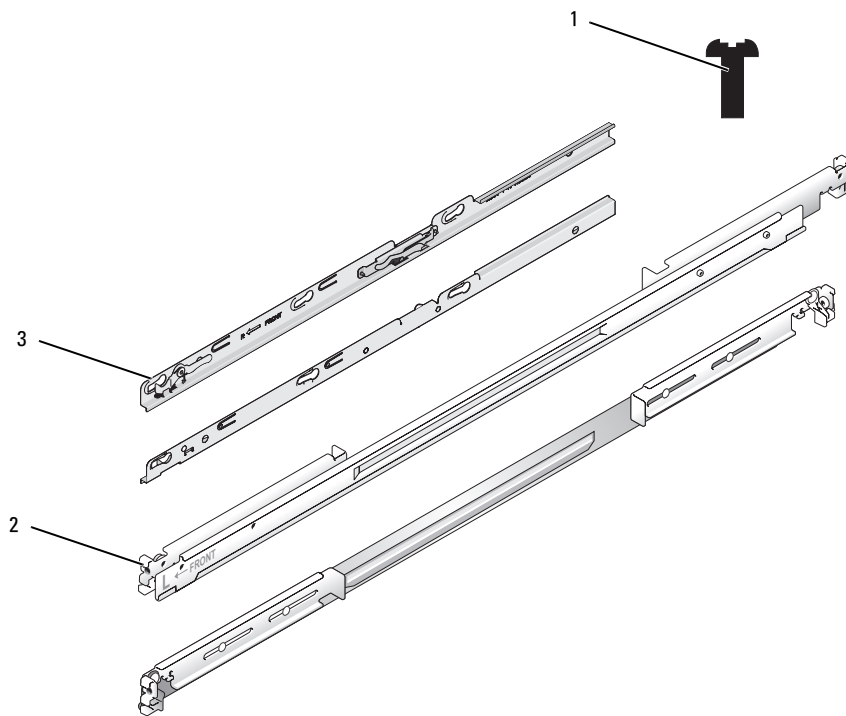
 **メモ：**図と手順の説明に示すメートル法規格以外のネジは、サイズとインチ当たりのネジ山数で表記されています。たとえば1インチに32本のネジ山がある#10プラスネジは、10-32ネジと表記します。

図 1-2 スタティックレールラックキットの内容



- | | | | | | |
|---|---|---|-------------------|---|----------------------------|
| 1 | 10-32 x 0.5 インチフランジ
ヘッドプラスネジ (8)
(VersaRails キットのみ) | 2 | スタティックマウントレール (2) | 3 | シャーシスタティックレール
モジュール (2) |
|---|---|---|-------------------|---|----------------------------|


取り付け手順


ラックキットを取り付けるには、次の手順（以降の各項で詳細を説明）を番号順に実行します。

- 1 ラック扉の取り外し
- 2 ラックへの印付け
- 3 スライドレールアセンブリの構成（スライドレールキットのみ）
- 4 シャーシスタティックレールモジュールの取り付け（スタティックレールキットのみ）
- 5 ラックへのマウントレールの取り付け
- 6 ラックへのシステムの取り付け
- 7 トレイとケーブルマネージメントアームの取り付け（スライドレールキットのみ）
- 8 ケーブルの配線
- 9 ラック扉の取り付け

ラック扉の取り外し

ラックキャビネットに付属のマニュアルに記載されている扉の取り外し手順を参照してください。

 **警告：**ラックキャビネットの扉の大きさと重さを考慮して、取り付けおよび取り外しは1人では行わないでください。

 **警告：**取り外した扉は、不意に倒れてけがをしないような場所に保管してください。

ラックへの印付け

1 ラックユニット（1 U）システムでは、ラックに取り付ける各システムの上下に、1 U（44mm）の空間を空ける必要があります。

EIA-310 規格を満たすラックキャビネットには、1 ラックユニット（1 U）ごとに3つの穴が交互に並んでいます。穴の中心から中心までの距離は、前面および背面垂直レールの1 U スペースの一番上の穴から計測して 15.9 mm、15.9 mm、12.7 mm となっています（図 1-3 を参照）。ラックキャビネットの穴には丸型または角型があります。


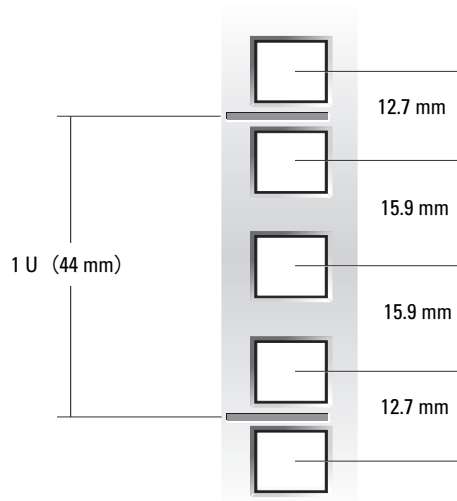
 **メモ：**垂直レールには、1 U 間隔の水平の線と数字で印が付いていることがあります。ラックの垂直レールについている印の番号を控える方法もあるので、ラックに印を付けたリテープを貼る作業は必須ではありません。

図 1-3 1 ラックユニット (1U)

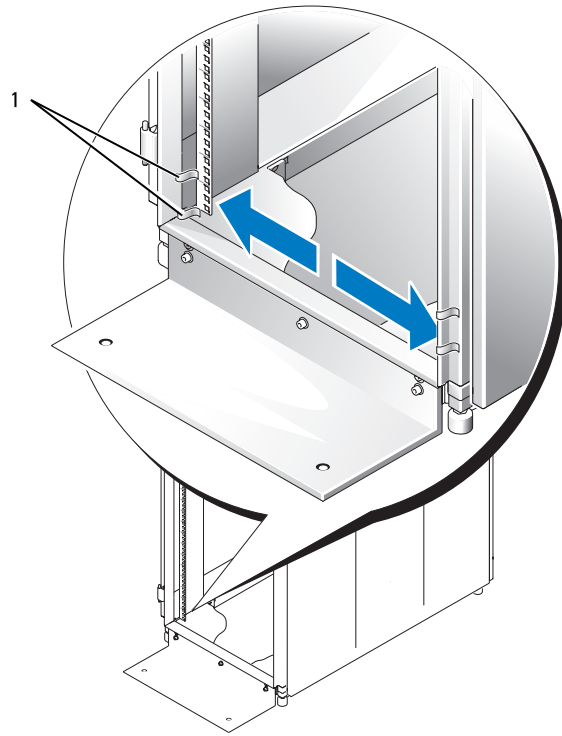


⚠ 警告：2 台以上のシステムを取り付ける場合は、ラックの使用可能な最下段に 1 台目のシステムを取り付けられるようにマウントレールをセットしてください。

ラックに印を付けるには、次の手順を実行します。

- 1 ラック前面の垂直レール上で、ラックキャビネットに取り付けるシステムの底部の位置を決め、フェルトペンまたはテープを使って印を付けます。
底部にあたる各 1 U スペースの位置は、穴と穴の間が狭い方の金属部分の中央です（横線で印が付いているラックキャビネットもあります。図 1-4 を参照）。
- 2 最初に印を付けた場所から 44 mm 上（あるいは EIA-310 規格に適合したラックであれば、ラックの穴を上から 3 つ数えた場所）を決め、フェルトペンまたはマスキングテープを使ってラック前面の垂直レールに印を付けます（穴を数えた場合は一番上の穴の真上に印を付ける）。このマークまたはテープが、垂直レール上でシステムの上端が来る位置になります（図 1-4 を参照）。

図 1-4 垂直レールの印付け



1 垂直レールの印 (2)

スライドレールアセンブリの構成（スライドレールキットのみ）

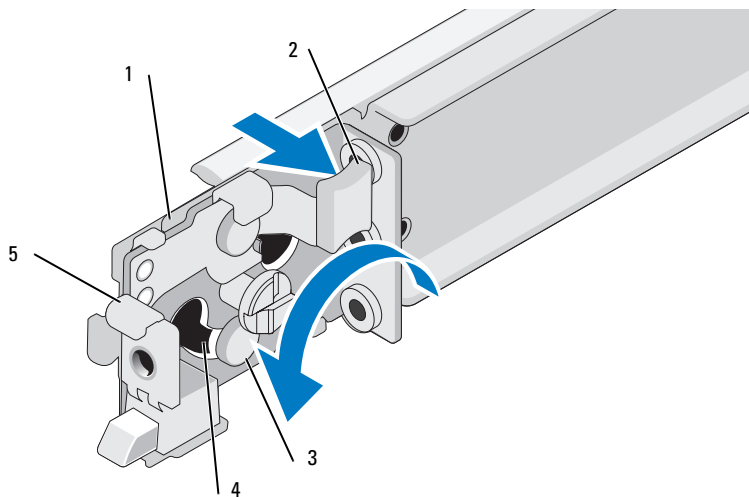
スライドレールアセンブリには、レールの両端に回転取り付けブラケットがあります。レールアセンブリが RapidRail または VersaRail のどちらとして使われるかは、ブラケットの位置によって決まります。ブラケットの RapidRail 側には、ブラケットを垂直レールに固定するフックとラッチがあります。ブラケットの VersaRail 側には 3 つの穴があり、ネジを使って垂直レールに取り付けるようになっています。

メモ：ラックキットは、RapidRails 構成のスライドレールアセンブリに付属しています。

取り付けブラケットを回転させて、マウントレールを RapidRails から VersaRails に変更するには、以下の手順を実行します（図 1-5 を参照）。

- 1 回転取り付けブラケットのリリースレバーを押し上げます。
- 2 ブラケットを回転させ、スライドさせて 2 つの肩付き突起から取り外します。
- 3 肩付き突起が切り込みに再び入るまで、ブラケットをさらに 180 度回転させます。
- 4 所定の位置にカチッとハマるまで、ブラケットを反対方向に回転させて肩付き突起上に戻します。

図 1-5 回転取り付けブラケットの位置の変更



- | | | |
|------------|---------------------------------------|-------------|
| 1 回転ブラケット | 2 リリースレバー | 3 肩付き突起 (2) |
| 4 切り込み (2) | 5 取り付けブラケットフランジ
(図は RapidRails 構成) | |

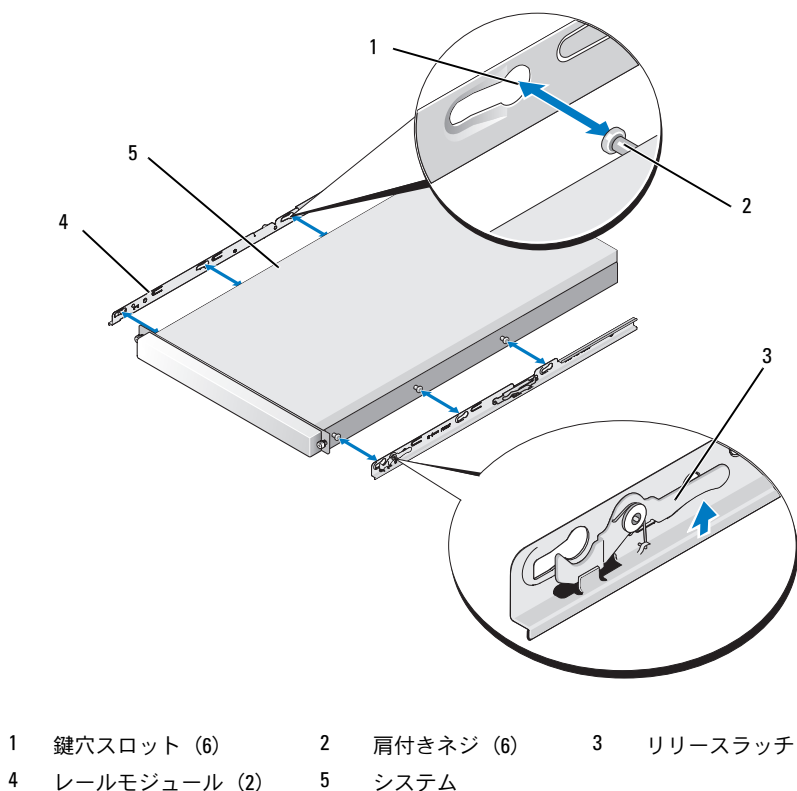
シャーシスタティックレールモジュールの取り付け (スタティックレールキットのみ)

メモ：シャーシにスタティックレールモジュールを取り付けたり取り外したりするのに、オプションの前面ベゼルを取り外す必要はありません。

- 1 レールモジュールを取り付けるには、レールモジュール上の3つの鍵穴スロットと、それに対応するシステム側面の肩付きネジの位置を確認します（図 1-6 を参照）。
- 2 肩付きネジが鍵穴スロットの丸い部分に入るようにレールモジュールをシステム側面に合わせ、モジュールをシステムの背面方向にスライドさせます。
- 3 手順 1 と 2 を繰り返して、もう1つのレールモジュールを取り付けます。

シャーシからレールモジュールを取り外すには、リリースラッチを押し上げ、レールを前方にスライドさせて、レールモジュールをシャーシから外します。

図 1-6 スタティックレールシャーシモジュールの取り付けと取り外し



ラックへのマウントレールの取り付け

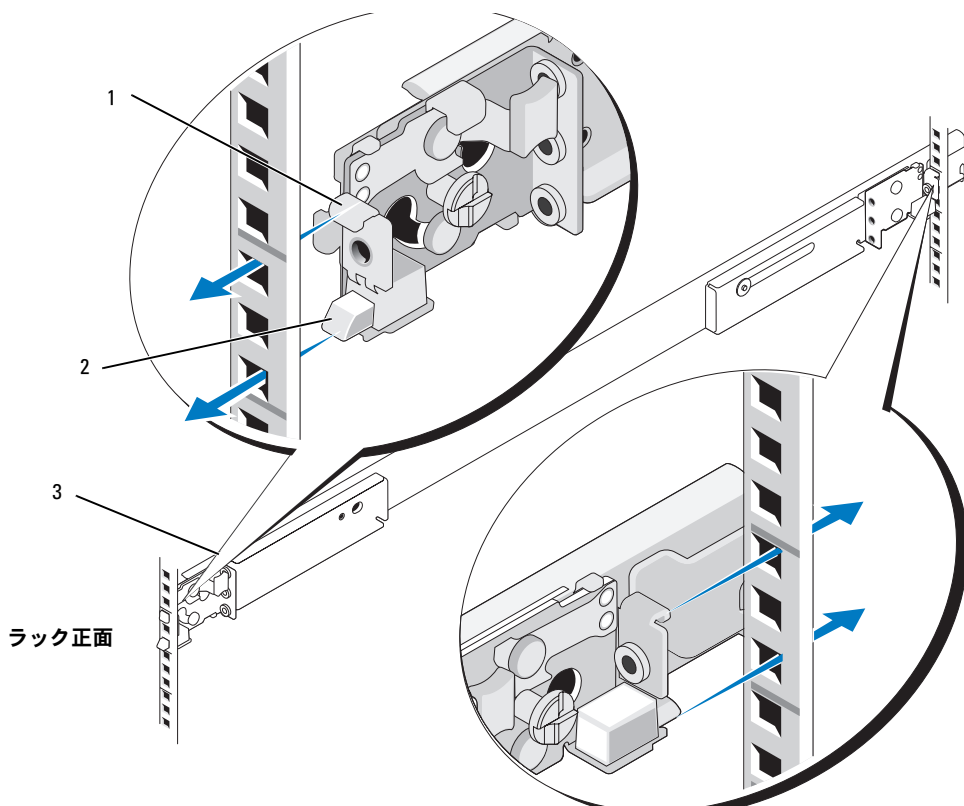
メモ：以下の説明は、スライドマウントレールとスタティックマウントレールの両方に適用されます。

RapidRails マウントレールの取り付け

- 1 ラックキャビネットの前面で、取り付けブラケットのフランジが、「ラックへの印付け」の垂直レールに付けた印やテープの間のスペースに収まるように（または穴の数を数えて）、1つ目のマウントレールの位置を合わせます（図 1-7 を参照）。

マウントレールの前面取り付けブラケットフランジの上部取り付けフックを、垂直レールに付けた印の間にある一番上の穴に差し込みます。

図 1-7 RapidRails マウントレールの取り付け



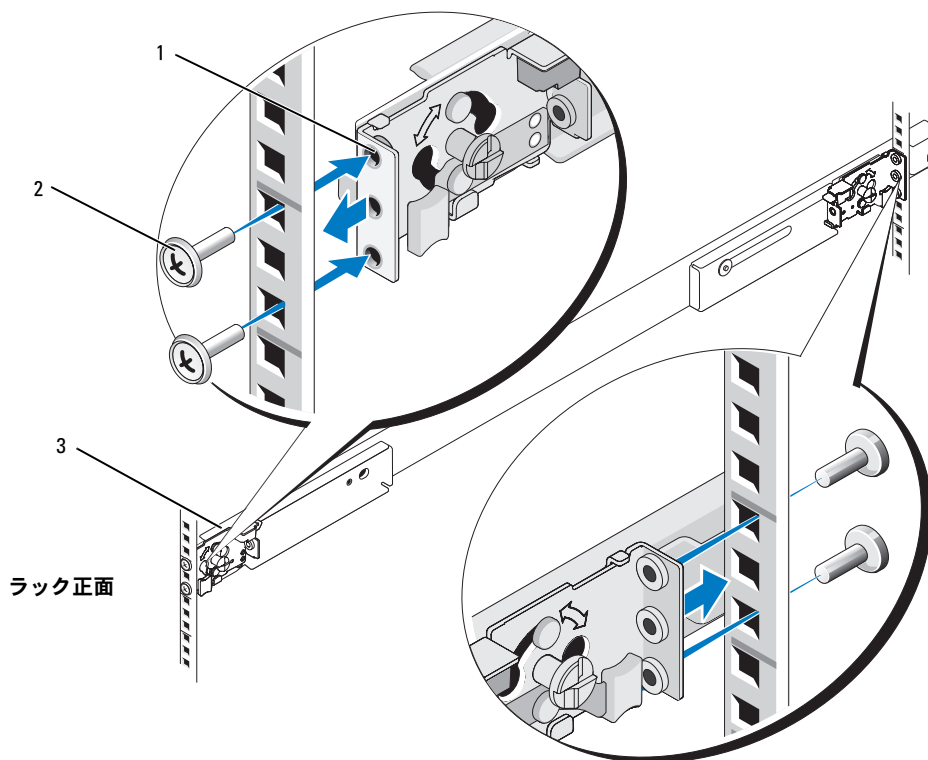
- 1 取り付けフック (2) 2 押しボタン (2) 3 マウントレール (2)

- 2 マウントレールを正面に向かって押して、取り付けフックを角型の穴に差し込み、取り付けブラケットフランジを下に押して取り付けフックを穴に固定します。完全に固定されると押しボタンが下側の角型の穴から飛び出します（図 1-7 を参照）。
- 3 キャビネットの背面で、取り付けブラケットのフランジを後ろに引いて、上部取り付けフックを対応する角型の穴に差し込み、フランジを下に押して取り付けフックを穴に固定します。完全に固定されると押しボタンが下側の角型の穴から飛び出します。
- 4 ラックの反対側のマウントレールで、手順 1～手順 3 を繰り返します。
- 5 左右の垂直レールで、マウントレールが同じ高さに取り付けられていることを確認します。

VersaRails マウントレールの取り付け


- 1 ラックキャビネットの前面で、取り付けブラケットのフランジが、「ラックへの印付け」の垂直レールに付けた印の間のスペースに収まるように（または穴の数を数えて）、1 つ目のマウントレールの位置を合わせます（図 1-8 を参照）。
取り付けブラケットフランジの前面にある 3 個の穴を、前面垂直レールに付けた印の間の穴に合わせます。
- 2 2 本の 10-32 x 0.5 インチフランジヘッドプラスネジを取り付けブラケットフランジの上下の穴に差し込んで、マウントレールを前面垂直レールに固定します。
- 3 キャビネットの背面から、取り付けブラケットフランジを後ろに引いて、取り付け穴を背面垂直レールのそれぞれ対応する穴に合わせます。
- 4 2 本の 10-32 x 0.5 インチフランジヘッドプラスネジを取り付けブラケットフランジの上下の穴に差し込んで、マウントレールを背面垂直レールに固定します。
- 5 ラックの反対側のマウントレールで、手順 1～手順 4 を繰り返します。
- 6 左右の垂直レールで、マウントレールが同じ高さに取り付けられていることを確認します。


図 1-8 VersaRails マウントレールの取り付け



- 1 取り付けブラケットフランジ 2 10-32 x 0.5 インチフランジヘッド
プラスネジ (マウントレール1
本につき4本) 3 マウントレール (2)

ラックへのシステムの取り付け

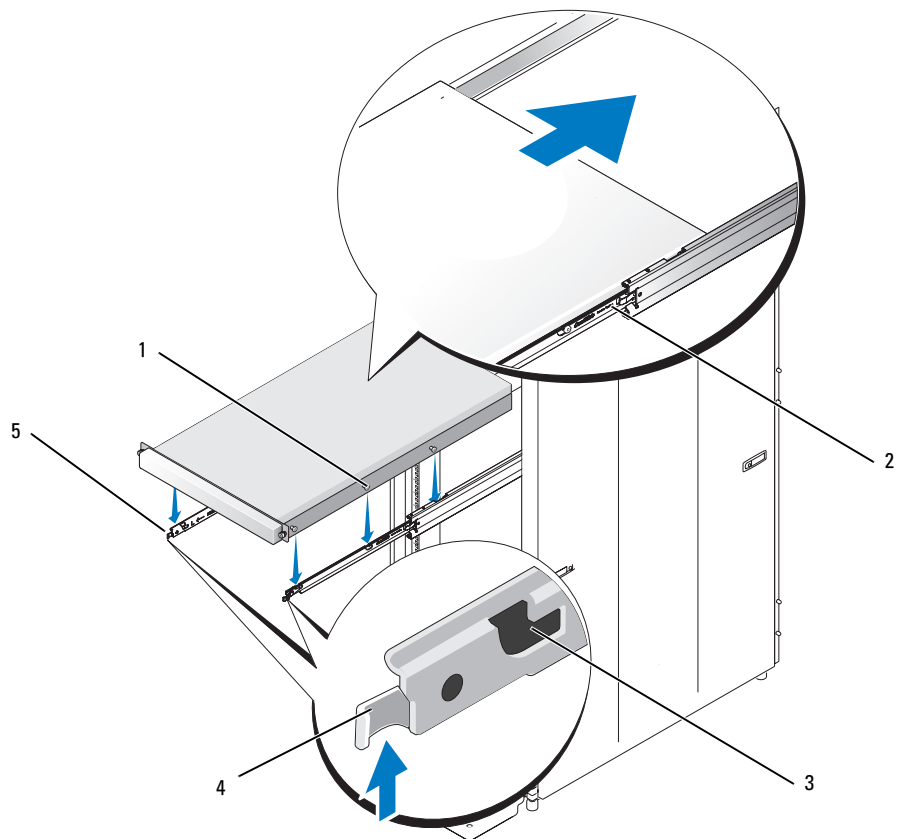
 **警告**：複数のシステムを取り付ける場合は、1台目のシステムをラックの使用可能な最下段に取り付けてください。

 **警告**：システムの大きさと重さを考慮して、マウントレールへのシステムの取り付けは1人では行わないでください。

スライドレールを使用するシステムの取り付け

- 1 2つの内部スライドレールをラックから引き出し、一番外側の位置でロックします（図 1-9 を参照）。
- 2 スライドアセンブリに載せられる高さまでシステムを持ち上げます。
システムの両側に 3 本ずつある肩付きネジを内部スライドアセンブリの対応する J スロットに差し込みます（図 1-9 を参照）。
- 3 システムの側面にある後部肩付きネジを、スライドアセンブリの背面 J スロットに合わせながら、システム背面を下げます。
- 4 後部肩付きネジをそれぞれの J スロットにはめ込みます。
- 5 システム前面を下げて、中央と前部の肩付きネジをスライドアセンブリの J スロットに差し込みます。
肩付きネジを前面スロットに差し込むと、内部スライドレールの前面にあるシステムリリースラッチが元の位置に戻ってカチッと固定されます。システムをスライドアセンブリから取り外すときは、このシステムリリースラッチを使用します。
- 6 各内部スライドの外側にあるスライドリリースラッチを押し、システムをラックに押し込みます。
- 7 ケーブルマネージメントアームの取り付け「トレイとケーブルマネージメントアームの取り付け（スライドレールキットのみ）」（142 ページ）を参照してください。
- 8 ラックの正面パネルにある蝶ネジを締めてスライドアセンブリをラックに固定します。

図 1-9 スライドレールを使用するシステムの取り付け



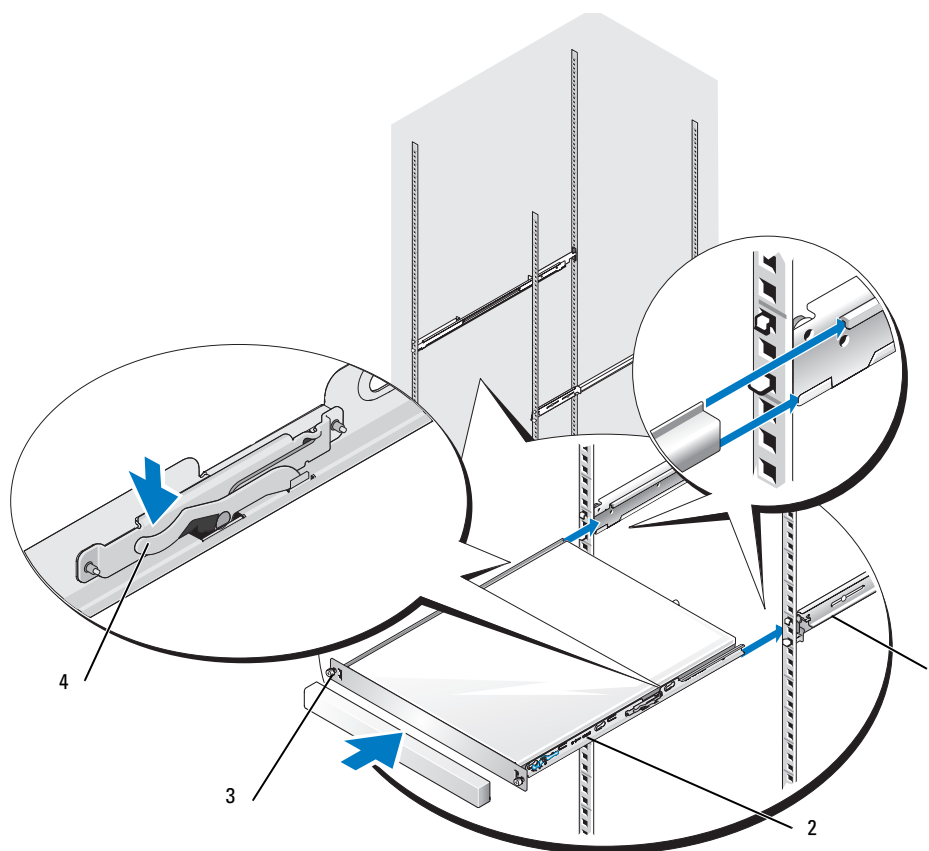
- | | | |
|---------------|-----------------|-------------|
| 1 肩付きネジ (6) | 2 スライドリリースラッチ | 3 Jスロット (6) |
| 4 フロントリリースラッチ | 5 内部スライドレール (2) | |

スタティックレールを使用するシステムの取り付け

システムをラックに取り付けるには、次の手順を実行します。

- 1 システムの正面からシャーシを持ち上げて、シャーシレールがラックのマウントレールにはまるように位置を合わせます。
- 2 シャーシをマウントレールの一番奥まで押し込みます（図 1-10 を参照）。
- 3 シャーシ正面パネルの両方の蝶ネジを締めます。
- 4 必要に応じて、オプションの前面ベゼルを取り付けます。システムに同梱のマニュアルに記載されているベゼルの取り付け手順を参照してください。

図 1-10 スタティックレールを使用するシステムの取り付け

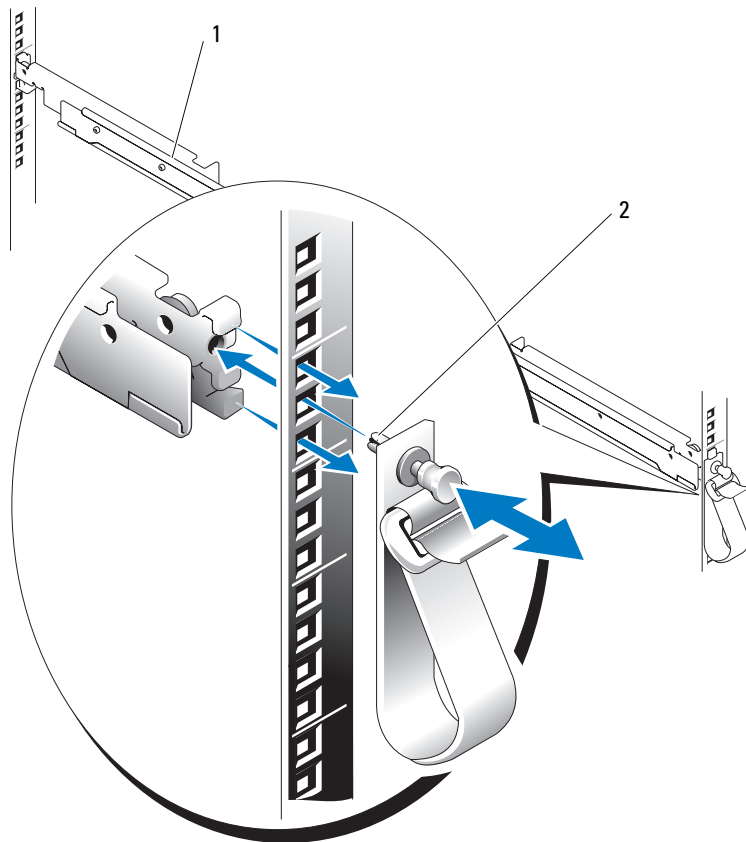


- | | | | | | |
|---|-------------|---|------------------|---|---------|
| 1 | マウントレール (2) | 2 | シャーシレールモジュール (2) | 3 | 蝶ネジ (2) |
| 4 | リリースラッチ (2) | | | | |

- 5 後部取り付けブラケットのフランジに設けられた 2 つの取り外し可能タイラップ取り付け穴を見つけます (図 1-11 を参照)。

タイラップは、システムケーブルをマウントレールに固定するために使います。

図 1-11 取り外し可能タイラップの取り付け



1 マウントレール (2) 2 取り外し可能タイラップ (2)

- 6 タイラップの留め具を取り付け穴に挿入します。
- 7 タイラップのプランジャを押すと、カチッと音がしてタイラップがマウントレールに固定されます。
- 8 取り外し可能タイラップを使用して、システムケーブルをマウントレールに固定します。

ラック扉の取り付け

ラックに付属のマニュアルに記載されている扉の取り付け手順を参照してください。

⚠ 警告：ラックキャビネットの扉の大きさと重さを考慮して、取り付けおよび取り外しは1人では行わないでください。

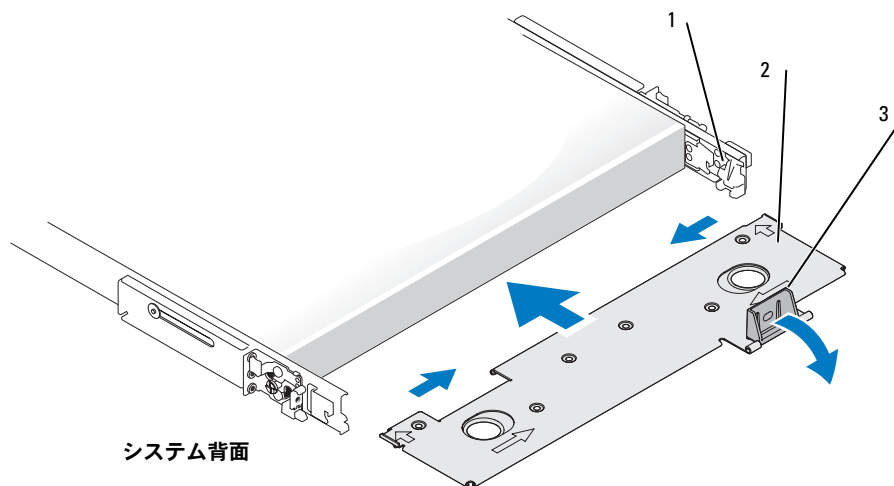
トレイとケーブルマネージメントアームの取り付け (スライドレールキットのみ)

📌 メモ：この手順はスタティックレールキットには適用されません。

トレイの取り付け

- 1 システムの背面で、トレイの両端をマウントレールの両端の間に合わせ、固定されるまでトレイを前方へスライドさせます (図 1-12 を参照)。
- 2 ケーブルマネージメントアームの取り付けに備えて、ケーブルマネージメントアーム保持ラッチの中央にあるキャッチを押し、ラッチを下方方向に回転させます (図 1-12 を参照)。

図 1-12 トレイの取り付け



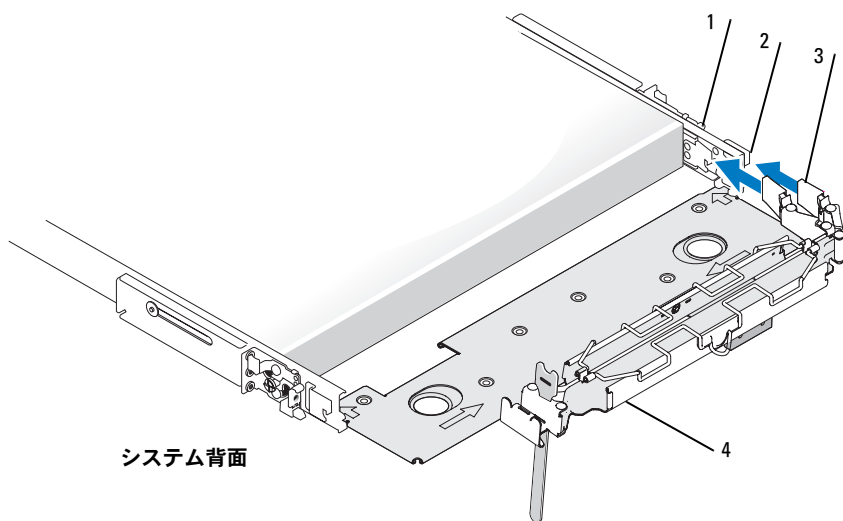
- 1 マウントレール (2) トレイ 3 ケーブルマネージメントアーム保持ラッチ

ケーブルマネージメントアームの取り付け

メモ：ケーブルマネージメントアームは、左右のマウントレールのどちらにでも取り付けることができます。左右のどちらに取り付けるかは、システムからのケーブルをどう配線するかによります。

- 1 必要に応じて、トレイ上のケーブルマネージメントアーム保持ラッチの中央にあるキャッチを押し、ラッチを下方方向に回転させます（図 1-12 を参照）。
- 2 システムの背面で、ケーブルマネージメントアーム前端部のラッチをスライドアセンブリ最深部のブラケットにはめ込み、固定されるまで押し込みます（図 1-13 を参照）。
- 3 ケーブルマネージメントアームのまだ取り付けしていない一端のラッチをスライドアセンブリの最も外側のブラケットにはめ込み、固定されるまで押し込みます（図 1-13 を参照）。

図 1-13 ケーブルマネージメントアームの取り付け

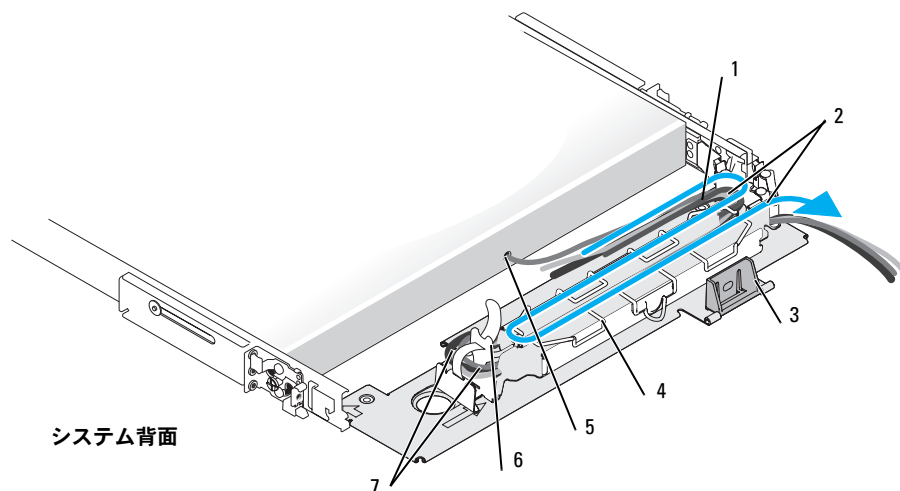


- | | | | | | |
|---|----------------|---|----------|---|---------|
| 1 | マウントレール (2) | 2 | ブラケット(2) | 3 | ラッチ (2) |
| 4 | ケーブルマネージメントアーム | | | | |

ケーブルの配線

- 1 アーム内にケーブルを配線できるようにするために、ケーブルマネジメントアーム上部のワイヤーケーブルバスケットリッドを開きます（図 1-14 を参照）。

図 1-14 ケーブルマネジメントアームでのケーブルの配線



- | | | |
|-----------------|----------------------------|----------------------|
| 1 ケーブルマネジメントアーム | 2 取り付け済みのタイラップ | 3 ケーブルマネジメントアーム保持ラッチ |
| 4 バスケットリッド | 5 システムステータスインジケータケーブルのコネクタ | 6 ベルクロストラップ |
| 7 取り付け済みのタイラップ | | |

- 2 必要に応じて、システムステータスインジケータケーブルをシステム背面パネルのコネクタに接続します。


システムステータスインジケータケーブルをケーブルマネジメントアームに通し、LED が付いた端をケーブルマネジメントアームの端のロットに挿入します。

- 3 I/O ケーブルコネクタと電源ケーブルコネクタを、システム背面パネルの各コネクタに接続します。

ケーブル接続の詳細については、ご使用のシステムの『はじめに』、または『ハードウェアオーナーズマニュアル』を参照してください。

メモ：電源装置の背面にあるストレインリリーフープを使用して、電源ケーブルのストレインリリーフに役立っています。

- 4 ラックキットに付属のタイラップを使用して、ラック内の隣接するシステムの邪魔にならないようにケーブルを束ねます。

- 5 ケーブルをケーブルマネージメントアームのバスケットに通します。
- 6 ヒンジの動きを妨げないように、必要に応じてケーブルのたるみを調節し、束ねたケーブルを縦方向のベルクストラップで固定します (図 1-14 を参照)。
- 7 内部の端とケーブルマネージメントアームのヒンジ部分にある取り付け済みのタイラップを使用して、ケーブルマネージメントアームチャンネル内の束ねたケーブルを固定します (図 1-14 を参照)。
- 8 ケーブルバスケットリッドを閉じます。
- 9 システムの前面を前面垂直レールに固定している蝶ネジを外します。
- 10 システムをラックから引き出したりラックに押し戻したりして、ケーブルが正しく取り付けられているか、ケーブルマネージメントアームの動きでケーブルが絡まったり、引きつったりしないか、またはアームの動きが妨げられていないか確認します。必要に応じて、ケーブルマネージメントアームのバスケット内のケーブルの位置を調整します。
 **メモ**：システムを引き出せる限度まで引き出すと、伸びきった位置でスライドアセンブリにロックがかかります。ロックを解除するには、スライドの側面にあるスライドリリースラッチを押しながら、システムをラックに押し込みます。
- 11 ケーブルが正しく配線できたら、システムをラックに完全に押し込みます。
- 12 トレイ上のケーブルマネージメントアーム保持ラッチを押し上げてアームを固定します (図 1-14 を参照)。

ラックからのシステムの取り外し

スライドレールを使用するシステムの取り外し

システムをラックから取り外すには、次の手順を実行します。

- 1 システムおよび接続されている周辺機器の電源を切り、システムを電源コンセントから外します。
- 2 I/O ケーブルコネクタと電源ケーブルコネクタを、システム背面パネルの各コネクタから取り外します。
- 3 正面シャーシパネルの両側でシステムのシャーシをラックに固定している蝶ネジを緩めます。
- 4 レールが引き出された位置でロックするまで、システムをラックから引き出します。
- 5 各レールのフロントリリースラッチを引き上げて (図 1-9 を参照)、システムを前に引き出します。
- 6 システムをラックから完全に引き出します。

スタティックレールを使用するシステムの取り外し

システムをラックから取り外すには、次の手順を実行します。

- 1 システムおよび接続されている周辺機器の電源を切り、システムを電源コンセントから外します。
- 2 正面シャーシパネルの両側でシステムのシャーシをラックに固定している蝶ネジを緩めます。
- 3 システムからすべてのケーブルを外します。
- 4 リリースラッチが掛かって止まる場所まで、システムをラックから引き出します。
- 5 システム両側のリリースラッチを押し下げます（図 1-10 を参照）。
- 6 システムをラックから完全に引き出します。

2 柱型ラックの取り付け

2 柱型ラックキットは、電気通信機器設備などで使用される 2 柱型オープンフレームリレーラックにシステムを取り付けるために使用します。7.62 cm および 15.24 cm 幅 2 柱型ラック（取り付け穴の間隔はユニバーサルまたはワイド）に対応しています。このキットは、センターマウントまたはフラッシュマウントのどちらの構成にも取り付けられます。

2 柱型リレーラックは、ラックメーカーや業界規格によって規定または認可された床面または壁面用の留め具や支柱を使用して、床面、天井、上部壁面、あるいは適切であれば隣接するラックなどに正しく固定する必要があります。取り付けを開始する前に、2 柱型ラックメーカーのマニュアルを参照して、警告事項を確認してください。

⚠ 警告：正しい位置にしっかりと固定されていない 2 柱型オープンフレームリレーラックには、システムを取り付けしないでください。システムの損傷や作業者および周囲の人々のけがを招くおそれがあります。

安全にお使いいただくために

ご自身の身体の安全を守り、システムおよび作業環境を保護するために、以下の安全に関するガイドラインに従ってください。安全に関する詳細な情報については、『製品情報ガイド』を参照してください。

安全について：システムのラックへの取り付け


ラックの安定性や安全性に関して、以下の点にご注意ください。また、特定の注意文および手順については、システムおよびラック付属のラック取り付けマニュアルを参照してください。

システムはラックの一部とみなします。したがって、「コンポーネント」には、さまざまな周辺機器やサポートハードウェアと同様に、システムも含まれます。

⚠ 警告：ラックにシステム/コンポーネントを取り付けた後は、一度に 2 台以上のコンポーネントをスライドアセンブリのラックから引き出さないでください。重みでラックが転倒し、大けがをすおそれがあります。

📌 メモ：ご使用のシステムは、独立型のユニットとして、また、カスタマーラックキットで構成される Dell ラックキャビネットに取り付けるコンポーネントとして、その安全性が保証されています。それ以外のラックキャビネットにシステムおよびラックキットを取り付ける場合は、安全性が保証されません。最終的に組み合わせたシステムおよびラックについては、ユーザーの責任において、適用される安全基準および地域の電気規約の要件に適合することを確認してください。デルでは、このような組み合わせに関連するいかなる保証責任も負いません。


- システムラックキットは、トレーニングを受けたサービス技術者がラックに取り付けます。キットを別のラックに取り付ける場合は、そのラックがデルのラック仕様に適合していることを確認してください。


 **警告：大型ラックを1人で移動しないでください。ラックの高さと重さを考慮して、少なくとも2人以上でラックを移動することをお勧めします。**

- ラックには必ず下から上へと、最も重いものから順に設置してください。
- コンポーネントをラックから引き出す前に、ラックが水平で安定していることを確認してください。
- レールリリースラッチを押してコンポーネントをラックから出し入れするときは、スライドレールに指をはさまれないように注意してください。
- ラックに電力を送る AC 分岐回路に過重電流を流さないでください。ラックの総負荷が分岐回路定格の 80% を超えないようにしてください。
- ラック内のコンポーネントが十分に通気されることを確認してください。
- ラックに取り付けたコンポーネントの作業中に、他のコンポーネントの上に乗ったり、足をかけたりしないでください。

作業を開始する前に


システムのラックへの取り付けを開始する前に、本書の「安全にお使いいただくために」およびご使用のシステムの『製品情報ガイド』の安全にお使いいただくための注意事項を参照し、補足情報を確認してください。


 **警告：複数のシステムをラックに取り付ける場合は、1台のシステムの取り付け手順を完了してから、次のシステムの取り付けに進んでください。**

 **メモ：システム自体の設置方法については、「ラックへのシステムの取り付け」(157 ページ)」を参照してください。**

安全に関する重要な注意

システムをラックに取り付けるときは、次の各項の安全に関する注意を遵守してください。

 **警告：作業者は、自分自身と周囲の人々を保護するために、本書の手順に必ず従ってください。本システムは非常に重量があり大きいため、ご自身や周囲の人々のけがを防ぐために準備と計画を適切に行うことが重要です。これは、特にシステムをラックの高い位置に取り付ける場合に重要になります。**

 **警告：別のシステム用に設計されたラックキットのコンポーネントは取り付けないでください。ご使用のシステム用のラックキットのみをお使いください。別のシステム用のラックキットを使用すると、システムが損傷し、ご自身や周囲の人々がけがをするおそれがあります。**

推奨する工具および備品

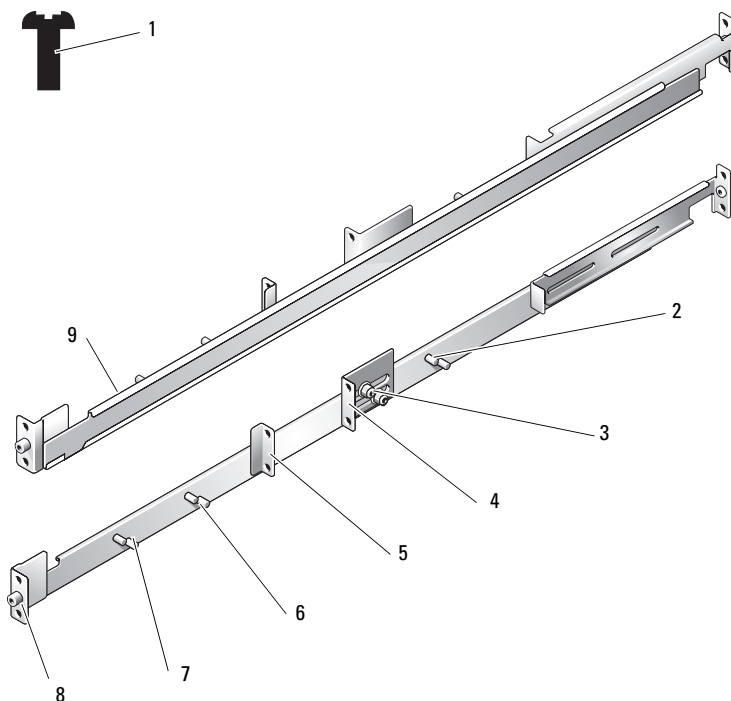
- #2 プラスドライバ
- 3/8 インチレンチまたはナットドライバ（ブラケットをフラッシュマウント構成に変更する場合）
- 取り付け穴に印を付けるために使用するマスキングテープまたはフェルトペン

ラックキットの内容

2 柱型ラックキットの付属品は次のとおりです（図 2-1 参照）。

- マウントレール 1 組
- 12-24 x 0.5 インチプラスなベネジ（8）
- 取り外し可能タイラップ（2）（図 2-1 には記載なし）

図 2-1 2 柱型ラックキットの部品



- | | | | | | |
|---|------------------------------|---|------------------------------|---|-------------------------------|
| 1 | 12-24 x 0.5 インチプラスなベネジ（8） | 2 | 15.24 cm 幅、センターマウント、ネジ付きスタッド | 3 | 7.62 cm 幅、センターマウント、ネジ付きスタッド |
| 4 | 調整可能な取り付けフランジ | 5 | センターマウント取り付けフランジ | 6 | 15.24 cm 幅、フラッシュマウント、ネジ付きスタッド |
| 7 | 7.62 cm 幅、フラッシュマウント、ネジ付きスタッド | 8 | フラッシュマウント取り付けフランジ | 9 | マウントレール（2） |

取り付け手順

2 柱型ラックキットを取り付けるには、次の手順を番号順に実行します。

- 1 ラックへの印付け
 - ユニバーサル間隔で穴があるラック
 - ワイド間隔で穴があるラック
- 2 ラックへのマウントレールの取り付け
 - センターマウント
 - フラッシュマウント
- 3 ラックへのシステムの取り付け
- 4 ケーブルの配線

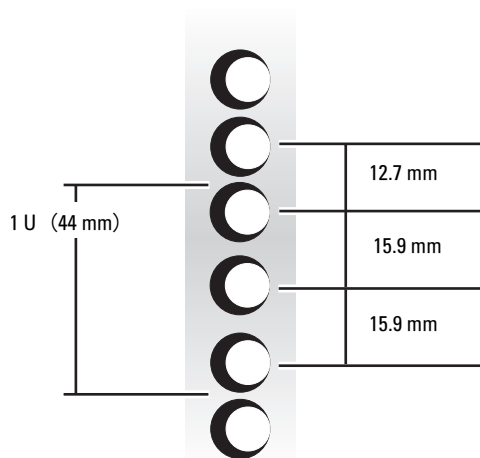
ラックへの印付け

2 柱型ラックに取り付ける各システムの上下には、1 U（44mm）の空間を空ける必要があります。

ユニバーサル間隔で穴があるラック

ユニバーサル間隔で穴があるラックには、1 ラックユニット（1 U）ごとに 3 つの穴が交互に並んでいます。穴の中心から中心まで距離は、前面および背面垂直レールの 1 U スペースの一番上の穴から計測して 15.9 mm、15.9 mm、12.7 mm となっています（図 2-2 を参照）。

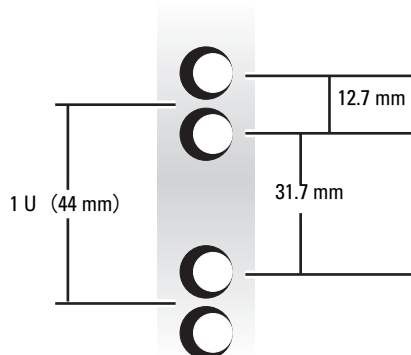
図 2-2 2 柱型オープンフレームリレーラックのユニバーサル間隔の穴



ワイド間隔で穴があるラック


ワイド間隔で穴があるラックには、ラックユニットごとに2つの穴が交互に並んでいます。穴の中心から中心までの距離は、前面および背面の垂直支柱の1 U スペースの一番上の穴から計測して31.7 mm、12.7 mmとなっています（図 2-3 を参照）。

図 2-3 2 柱型オープンフレームリレーラックのワイド間隔の穴




ラックに印を付けるには、次の手順を実行します。

- 1 前面垂直レール上で、2 柱型ラックに取り付けるシステムの底部の位置を決め、印を付けます。各 1 U スペースの底部は、レールの穴の一番間隔が狭い金属部分の中央になります。

 **メモ：**ワイド間隔で穴があるラックの場合は、手順 3 に進みます。

- 2 最初に印を付けた場所から 44 mm 上（あるいはユニバーサル間隔で穴があるラックでは、ラックの穴を上から 3 つ数えた場所）に印を付けます（図 2-2 を参照）。

ユニバーサル間隔で穴があるラックの垂直方向の各 1 U スペースには（一番上の穴から計測して）穴の中心間距離が 15.9 mm、15.9 mm、12.7 mm の間隔で 3 つの穴があります（図 2-2 を参照）。

 **メモ：**ユニバーサル間隔で穴があるラックの場合、ラックの印付け手順はこれで完了です。

- 3 最初に印を付けた場所から 44 mm 上（あるいはワイド規格のラックでは次の上の穴の場所）に印を付けます（図 2-3 を参照）。

ワイド間隔で穴があるラックの垂直方向の各 1 U（44 mm）のスペースには、（一番上の穴から計測して）穴の中心間距離が 31.7 mm の間隔で 2 つの穴があります（図 2-3 を参照）。

マウントレールの取り付け

マウントレールは、ユニバーサル間隔（図 2-2 参照）またはワイド間隔（図 2-3 参照）のどちらの穴がある 2 柱型オープンフレームラックにも取り付けることができます。また、マウントレールは、フラッシュマウント構成またはセンターマウント構成のどちらでも取り付けることができます。

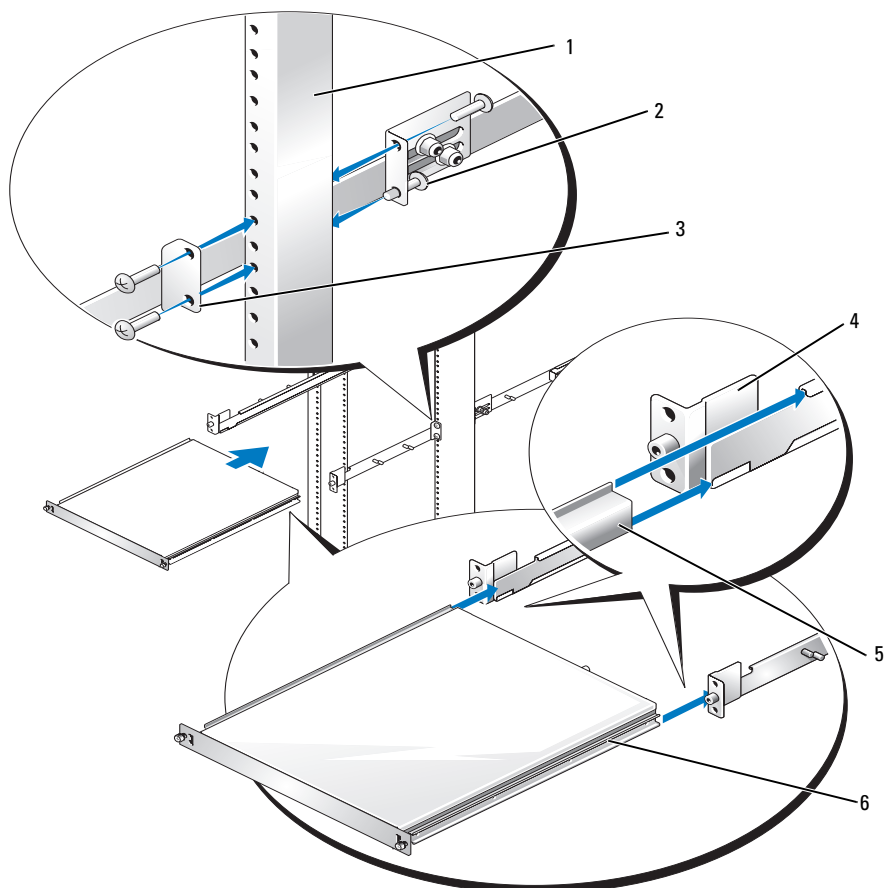
⚠ 警告：このラックキットを使用して他のシステムを取り付けしないでください。ご使用のシステム用のラックキットのみをお使いください。別のシステム用のラックキットを使用すると、システムが損傷し、ご自身や周囲の人々がけがをするおそれがあります。

センターマウント構成での取り付け

2 柱型ラックキットは、7.62 cm 幅センターマウント用のブラケット構成で出荷されています。マウントレールの付属部品については、図 2-1 を参照してください。取り付けを完了するには、次の手順を実行します。

- 1 右側のマウントレールを見つけてください。調整可能な取り付けブラケットを押し、マウントレールの後方へ移動します（図 2-4 を参照）。
- 2 右側のマウントレールを、2 柱型ラックの印を付けた場所に合わせ、センターマウントの調整可能な取り付けブラケットを前方へ押し、2 柱型ラックの支柱に押しつけ、4 本の 12-24 x 0.5 インチプラスなベネジを使用して取り付けフランジと取り付けブラケットを固定します（図 2-4 を参照）。
- 3 手順 1 と手順 2 を繰り返して、左側のマウントレールをラックに取り付けます。

図 2-4 センターマウント構成でのマウントレールの取り付け



- | | | | | | |
|---|-----------------|---|--|---|------------------|
| 1 | 2 柱型オープンフレームラック | 2 | 12-24 x 0.5 インチプラスなベネジ
(レール1本につき4本) | 3 | センターマウント取り付けフランジ |
| 2 | マウントレール (2) | 4 | システムレール (2) | 5 | リリースラッチ |
| | | 6 | | | |

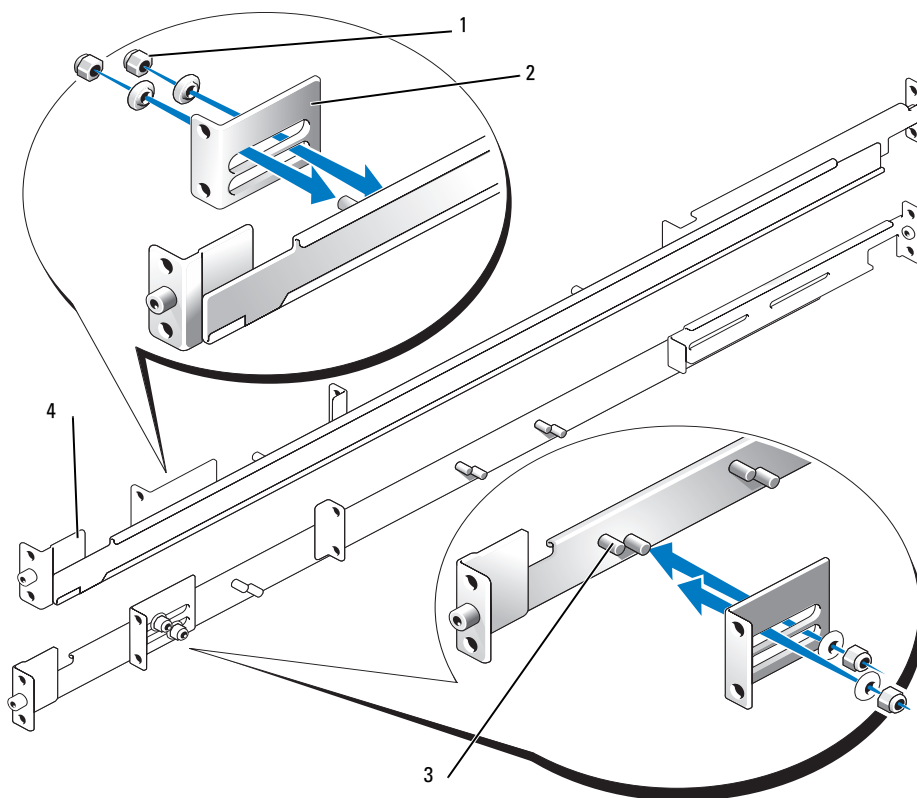
フラッシュマウント構成での取り付け

2 柱型ラックキットは、7.62 cm 幅センターマウント用のブラケット構成で出荷されています。マウントレールの付属部品については、図 2-1 を参照してください。2 柱型ラックでフラッシュマウント構成にするためには、次の手順でマウントレールを準備します。

- 滑らかな作業面に、レールの前端を手前にして 2 本のマウントレールを並べます (図 2-5 を参照)。
- 3/8 インチレンチまたはナットドライバを使って、調整可能な取り付けブラケットから 2 個のナットを取り外します (図 2-5 を参照)。

- 3 ブラケットを取り外し、7.62 cm または 15.24 cm 幅のどちらかの取り付け用ネジ付きスタッドに取り付けます (図 2-5 を参照)。
- 4 手順 2 で取り外した 2 個のナットを調整可能な取り付けブラケットに取り付け、手締めで固定します (図 2-5 を参照)。
- 5 手順 2 ~ 手順 4 を繰り返して、反対側のマウントレールも同様に準備します。

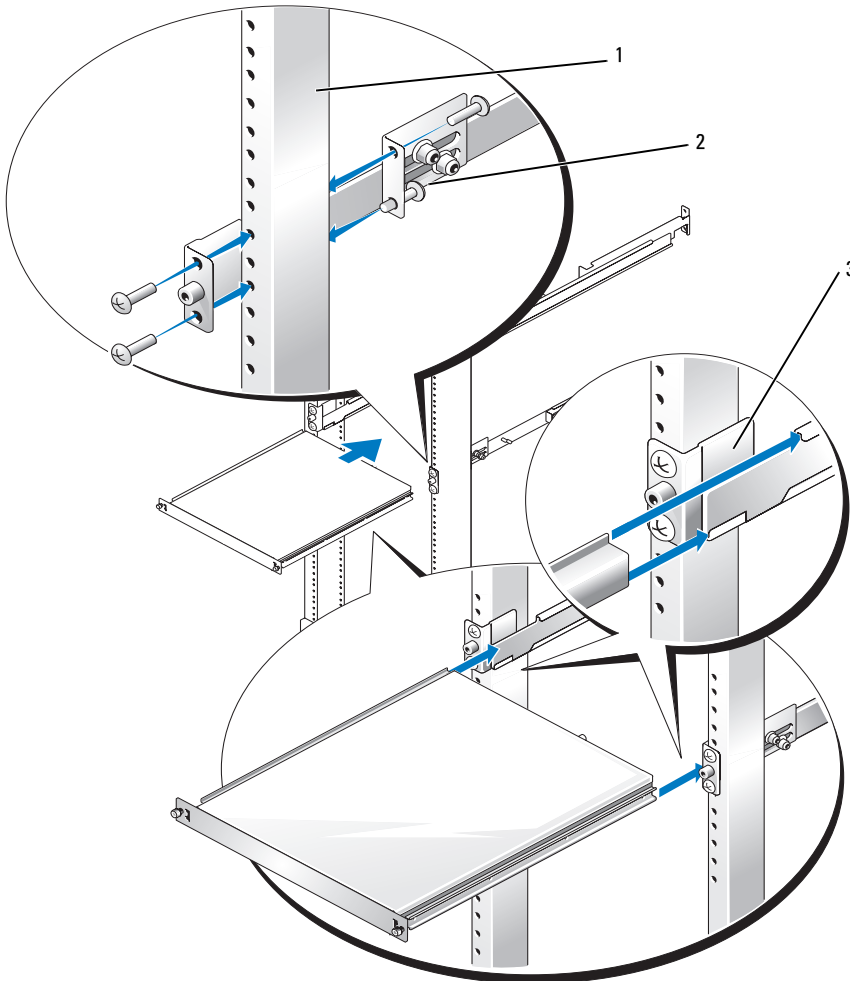
図 2-5 フラッシュマウント構成での調整可能な取り付けブラケットの準備



- | | | |
|--------------------------|------------------|--------------------------------|
| 1 ナット (ブラケット 1 個につき 2 個) | 2 調整可能な取り付けブラケット | 3 7.62 cm 幅、フラッシュマウント、ネジ付きスタッド |
|--------------------------|------------------|--------------------------------|
- 4 フラッシュマウント取り付けフランジ
 - 6 左側のマウントレールを印を付けた位置に合わせ、フラッシュマウント取り付けフランジを 2 柱型ラックの支柱の前面にぴったり合わせて置き、2 本の 12-24 x 0.5 インチプラスなベネジを使って支柱に固定します (図 2-6 を参照)。

- 7 調整可能な取り付けブラケットを2柱型ラックの支柱の背面まで押し込み、2本の12-24 x 0.5インチプラスなベネジを使って支柱に固定します（図2-6を参照）。
- 8 手順6と手順7を繰り返して、右側のマウントレールをラックに取り付けます。
- 9 3/8インチレンチまたはナットドライバで、両方のマウントレールのブラケットに取り付けたナットをすべて締め付けます。

図2-6 フラッシュマウント構成でのマウントレールの取り付け



- 1 2柱型オープンフレームラック 2 12-24 x 0.5インチプラスなベネジ 3 マウントレール (2
 (レール1本につき4本)

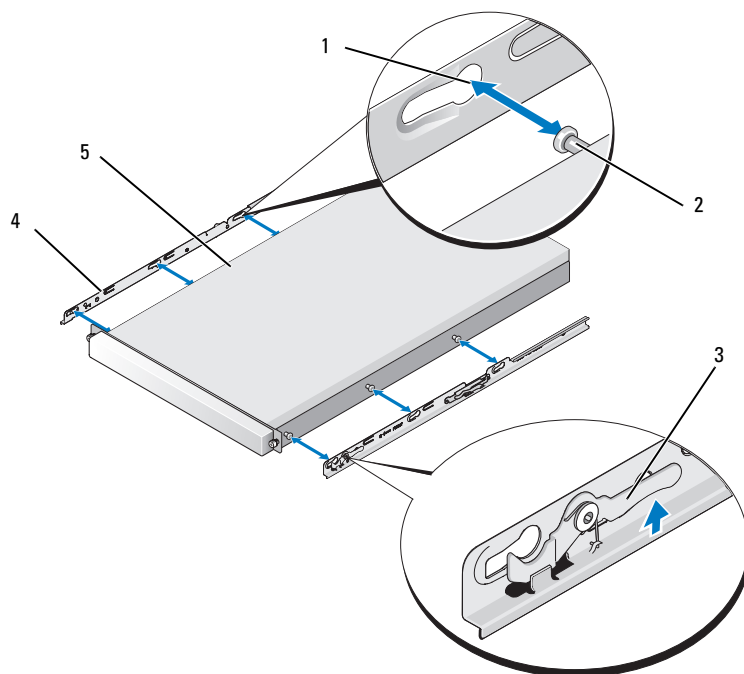
シャーシのスタティックレールモジュールの取り付け

メモ：シャーシにスタティックレールモジュールを取り付けたり取り外したりするのに、オプションの前面ベゼルを取り外す必要はありません。

- 1 レールモジュールを取り付けるには、レールモジュール上の3つの鍵穴スロットと、それに対応するシステム側面の肩付きネジの位置を確認します（図 2-7 を参照）。
- 2 肩付きネジが鍵穴スロットの丸い部分に入るようにレールモジュールをシステム側面に合わせ、モジュールをシステムの背面方向にスライドさせます。
- 3 手順 1 と 2 を繰り返して、もう 1 つのレールモジュールを取り付けます。

シャーシからレールモジュールを取り外すには、リリースラッチを押上げ、レールを前方にスライドさせて、レールモジュールをシャーシから外します。

図 2-7 スタティックレールシャーシモジュールの取り付けと取り外し



- | | | | | | |
|---|--------------|---|-----------|---|---------|
| 1 | 鍵穴スロット (6) | 2 | 肩付きネジ (6) | 3 | リリースラッチ |
| 4 | レールモジュール (2) | 5 | システム | | |

ラックへのシステムの取り付け

⚠ 警告：複数のシステムを取り付ける場合は、1台目のシステムをラックの使用可能な最下段に取り付けてください。

- 1 片方の手をシステム前面の下に、もう片方の手をシステム背面の下に置きます。
- 2 システムを持ち上げて、システム側面のレールがシステム後方でラックのマウントレールにはまるように位置を合わせます。

⚠ 警告：システムの大きさと重さを考慮して、マウントレールへのシステムの取り付けは1人では行わないでください。

- 3 システムをマウントレールの一番奥まで押し込みます。
- 4 正面パネルの両側にある蝶ネジを差し込んで締め付け、システムのシャーシをラックに固定します。

ラックからのシステムの取り外し

システムをラックから取り外すには、次の手順を実行します。

- 1 システムおよび接続されている周辺機器の電源を切り、システムを電源コンセントから外します。
- 2 正面シャーシパネルの両側でシステムのシャーシをラックに固定している蝶ネジを緩めます。
- 3 システムからすべてのケーブルを外します。
- 4 リリースラッチが掛かって止まるまで、システムをラックから引き出します。
- 5 システム両側のリリースラッチを押し下げます（図 1-10 を参照）。
- 6 システムをラックから完全に引き出します。

索引

2 柱型ラックキット
キットの内容, 149
工具と備品, 149
マウントレール, 152
ラックへの印付け, 150

4 柱型ラック
システムの取り外し,
145, 157

4 柱型ラックキット
VersaRails キットの
内容, 128-129
工具と備品, 127

V

VersaRails
キットの内容, 128-129,
141
取り付け, 134, 137, 139,
156

VersaRails のラック
要件, 127

あ

安全にお使いいただく
ために, 125, 147

き

キットの内容
2 柱型ラック, 149
VersaRails, 128-129, 141

け

ケーブル, 145
ケーブルマネージメント
アーム, 142, 144-145

こ

工具と備品
2 柱型ラックキット, 149
4 柱型ラックキット, 127

し

システムの取り外し
4 柱型ラック, 145, 157

す

垂直レール, 131-130
スタビライザ, 127

せ

センターマウント構成, 152

と

扉

取り外し, 130
取り付け, 142

取り付け

2 柱型ラックキット, 147
2 柱型ラックへのマウント
レール, 152-153
4 柱型ラックキット, 135
4 柱型ラックへのシステムの
取り付け, 138, 157

RapidRails マウント
レール, 135

VersaRails マウント
レール, 134, 137,
139, 156

ケーブルマネージメント
アーム, 142

スタティックレール
モジュール, 134, 156

な

内容のリスト

- 2 柱型ラックキット, 149
- VersaRails キット, 128-129

ふ

フラッシュマウント

- 構成, 153

ら

ラックスタビライザ, 127

ラック扉の取り付け, 142

ラック取り付け時の
注意事項, 126, 148

ラックへの印付け

- 2 柱型ラックキット,
150-151

- 4 柱型ラックキット, 130

ラックユニット, 131

Guía de instalación del rack

Notas, avisos y precauciones



NOTA: una NOTA proporciona información importante que le ayudará a utilizar mejor el ordenador.



AVISO: un AVISO indica la posibilidad de daños en el hardware o la pérdida de datos, e informa de cómo evitar el problema.



PRECAUCIÓN: un mensaje de PRECAUCIÓN indica el riesgo de daños materiales, lesiones o incluso la muerte.

La información contenida en este documento puede modificarse sin previo aviso.

© 2005 Dell Inc. Reservados todos los derechos.

Queda estrictamente prohibida la reproducción de este documento en cualquier forma sin la autorización por escrito de Dell Inc.

Marcas comerciales utilizadas en este texto: *Dell*, el logotipo de *DELL*, *RapidRails* y *VersaRails* son marcas comerciales de Dell Inc.

Otras marcas y otros nombres comerciales pueden utilizarse en este documento para hacer referencia a las entidades que los poseen o a sus productos. Dell Inc. renuncia a cualquier interés sobre la propiedad de marcas y nombres comerciales que no sean los suyos.

Contenido

1	Instalación del rack de cuatro postes	165
	Instrucciones de seguridad	165
	SEGURIDAD: Montaje de sistemas en rack	165
	Instrucciones generales de instalación	166
	Antes de comenzar	166
	Información importante sobre seguridad	167
	Requisitos del rack para VersaRails	167
	Pies estabilizadores del rack	167
	Herramientas y material recomendados	167
	Contenido del kit de rack de rieles deslizantes	168
	Contenido del kit de rack de rieles estáticos	169
	Tareas de instalación	170
	Extracción de las puertas del rack	170
	Marcado del rack	170
	Configuración de los ensamblajes de rieles deslizantes (únicamente en los kits de rieles deslizantes)	173
	Instalación de los módulos de rieles estáticos del chasis (únicamente en los kits de rieles estáticos)	174
	Instalación de los rieles de montaje en el rack	175
	Instalación del sistema en el rack	178
	Instalación de un sistema con rieles deslizantes	178
	Instalación de un sistema con rieles estáticos	180
	Colocación de las puertas del rack	182
	Instalación de la bandeja y el brazo para tendido de cables (únicamente en los kits de rieles deslizantes)	182
	Instalación de la bandeja	182
	Instalación del brazo para tendido de cables	183
	Cableado	184
	Extracción del sistema del rack	185
	Extracción de un sistema con rieles deslizantes	185
	Extracción de un sistema con rieles estáticos	186

2	Instalación del rack de dos postes	187
	Instrucciones de seguridad	187
	SEGURIDAD: Montaje de sistemas en rack	187
	Antes de comenzar	188
	Información importante sobre seguridad	188
	Herramientas y material recomendados	189
	Contenido del kit de rack	189
	Tareas de instalación	190
	Marcado del rack	190
	Racks con separación universal entre orificios	190
	Racks con separación ancha entre orificios	191
	Instalación de los rieles de montaje	192
	Montaje centrado	192
	Montaje a ras	194
	Instalación de los módulos de rieles estáticos del chasis	197
	Instalación del sistema en el rack	198
	Extracción del sistema del rack	198
	Índice	199

Instalación del rack de cuatro postes


Instrucciones de seguridad

Siga estas pautas de seguridad para garantizar su propia seguridad y proteger el sistema y el entorno de trabajo frente a posibles daños. Para obtener información completa sobre seguridad y normativas, consulte la *Guía de información del producto* que se entrega con el sistema. La información de la garantía puede incluirse en este documento o en un documento aparte.


SEGURIDAD: Montaje de sistemas en rack

Tenga en cuenta las precauciones siguientes para garantizar la estabilidad y la seguridad del rack. Consulte también la documentación de instalación del rack incluida con el sistema y el rack para ver las instrucciones y los procedimientos específicos de precaución.

Los sistemas se consideran componentes de un rack. Por lo tanto, “componente” se refiere a cualquier sistema, así como a los distintos periféricos o al hardware de soporte.

 **PRECAUCIÓN:** antes de instalar sistemas en un rack, instale los estabilizadores frontales y laterales para racks individuales, o bien los estabilizadores frontales para varios racks unidos. Si no se instalan estabilizadores antes de realizar el montaje de los sistemas, el rack puede volcarse, y ello puede producir lesiones personales. Por lo tanto, instale siempre los estabilizadores antes de instalar los componentes en el rack.

Una vez que haya instalado el sistema o los componentes en el rack, no extraiga nunca del rack más de un componente a la vez sobre sus ensamblajes deslizantes. El peso de más de un componente extendido puede provocar que el rack se vuelque y ello puede producir lesiones graves.

 **NOTA:** este sistema tiene el certificado de seguridad de una unidad independiente y como un componente para uso en un armario rack Dell con el kit de rack para clientes. La instalación del sistema y del kit de rack en otros armarios rack no ha sido aprobada por ninguna agencia de seguridad. Es su responsabilidad asegurarse de que la combinación final de sistema y rack cumpla los estándares de seguridad correspondientes y los requisitos de códigos de electricidad locales. Dell declina todas las responsabilidades y garantías con relación a tales combinaciones.

- Los kits de rack del sistema están diseñados para ser instalados en un rack por técnicos de servicio cualificados. Si instala el kit en cualquier otro rack, cerciőrese de que éste cumpla las especificaciones de un rack Dell.

 **PRECAUCIÓN:** no mueva los racks sin la ayuda de otra persona. Debido a la altura y el peso del rack, se recomienda un mínimo de dos personas para realizar dicha tarea.

- Antes de manipular el rack, asegőrese de que los estabilizadores estén fijados al rack, de que lleguen hasta el suelo y de que todo el peso del rack descansa sobre el suelo. Antes de trabajar en el rack, instale los estabilizadores frontales y laterales en caso de un único rack, o bien los estabilizadores frontales en caso de varios racks unidos.

- Cargue siempre el rack desde la parte inferior hacia arriba, colocando en primer lugar el elemento más pesado.
- El rack debe estar nivelado y estable antes de extender un componente.
- Tenga cuidado al presionar los pestillos de liberación de los rieles de componentes y al extraer o introducir un componente del rack, puesto que sus dedos pueden quedar aprisionados en los rieles deslizantes.
- No sobrecargue el circuito de alimentación de CA que suministra alimentación al rack. La carga total del rack no debe ser superior al 80 % de la corriente nominal del circuito.
- Los componentes del rack deben disponer de una ventilación suficiente.
- No suba sobre ningún componente ni lo utilice como escalón para realizar operaciones en los componentes de un rack.

Instrucciones generales de instalación

En esta guía de instalación se proporcionan instrucciones para técnicos de servicio especializados que instalen uno o más sistemas en un armario rack. El kit de rack RapidRails™ se puede montar en todos los armarios rack del fabricante sin herramientas, y el kit de rack VersaRails™ se puede montar en la mayoría de los armarios rack estándar del sector. Los procedimientos para instalar los kits de rack RapidRails y VersaRails son similares. Para cada sistema que se montará en el armario rack se precisa un kit de rack.

Esta sección contiene procedimientos para los kits de rack de cuatro postes siguientes:

- Kit de rack de rieles deslizantes
- Kit de rack de rieles estáticos (versiones RapidRails y VersaRails)

Consulte la sección “Instalación del rack de dos postes” en la página 187 para obtener instrucciones sobre cómo instalar un kit de rieles estáticos en un rack de dos postes.

Antes de comenzar

Antes de montar el sistema en el rack, lea detenidamente la sección “Instrucciones de seguridad” de esta guía, así como las instrucciones de seguridad que se incluyen en la *Guía de información del producto* para obtener información adicional.



PRECAUCIÓN: cuando instale varios sistemas en un rack, realice todos los procedimientos para un sistema antes de instalar el siguiente sistema.




PRECAUCIÓN: los armarios rack pueden ser muy pesados, pero se mueven con facilidad gracias a las ruedas. No disponen de frenos. Preste extremo cuidado cuando mueva un armario rack. Si traslada el armario rack, pliegue primero los pies niveladores. Evite rampas o inclinaciones largas o pronunciadas para evitar perder el control del armario. Extienda los pies niveladores para sostener el armario y evitar que se desplace.




NOTA: para obtener instrucciones sobre la instalación del sistema, consulte “Instalación del sistema en el rack” en la página 178.


Información importante sobre seguridad

Tenga en cuenta las precauciones de seguridad descritas en los apartados siguientes al instalar el sistema en el rack.


 **PRECAUCIÓN:** debe seguir estrictamente los procedimientos que se explican en este documento para protegerse a sí mismo y a otras personas que puedan verse involucradas. El sistema puede tener una envergadura y un peso considerables, por lo que son importantes una preparación y una planificación adecuadas para evitar lesiones personales. Esta precaución es aún más importante cuando se montan sistemas en la parte alta del rack.

 **PRECAUCIÓN:** no instale componentes de kit de rack que estén diseñados para otro sistema. Utilice únicamente el kit de rack correspondiente a su sistema. Si utiliza un kit de rack para otro sistema, pueden producirse daños en el sistema y lesiones personales.

Requisitos del rack para VersaRails

 **AVISO:** el kit de rack VersaRails lo deben montar únicamente técnicos de servicio cualificados en un rack que cumpla las especificaciones siguientes: ANSI/EIA-310-D-92, IEC 297 y DIN 41494. Se precisa un kit de rack para cada sistema que se instale en el rack.

Pies estabilizadores del rack

 **PRECAUCIÓN:** antes de instalar sistemas en un rack, instale los estabilizadores frontales y laterales para racks individuales, o bien los estabilizadores frontales para varios racks unidos. Si no se instalan estabilizadores antes de realizar el montaje de los sistemas, el rack puede volcarse, y ello puede producir lesiones personales. Por lo tanto, instale siempre los estabilizadores antes de instalar los componentes en el rack.

Los pies estabilizadores ayudan a evitar que el rack vuelque. Consulte la documentación que se facilita con el armario rack para obtener instrucciones sobre la instalación y la fijación de los pies estabilizadores.

Herramientas y material recomendados

Para montar el sistema en un armario rack de cuatro postes, necesita los elementos siguientes:

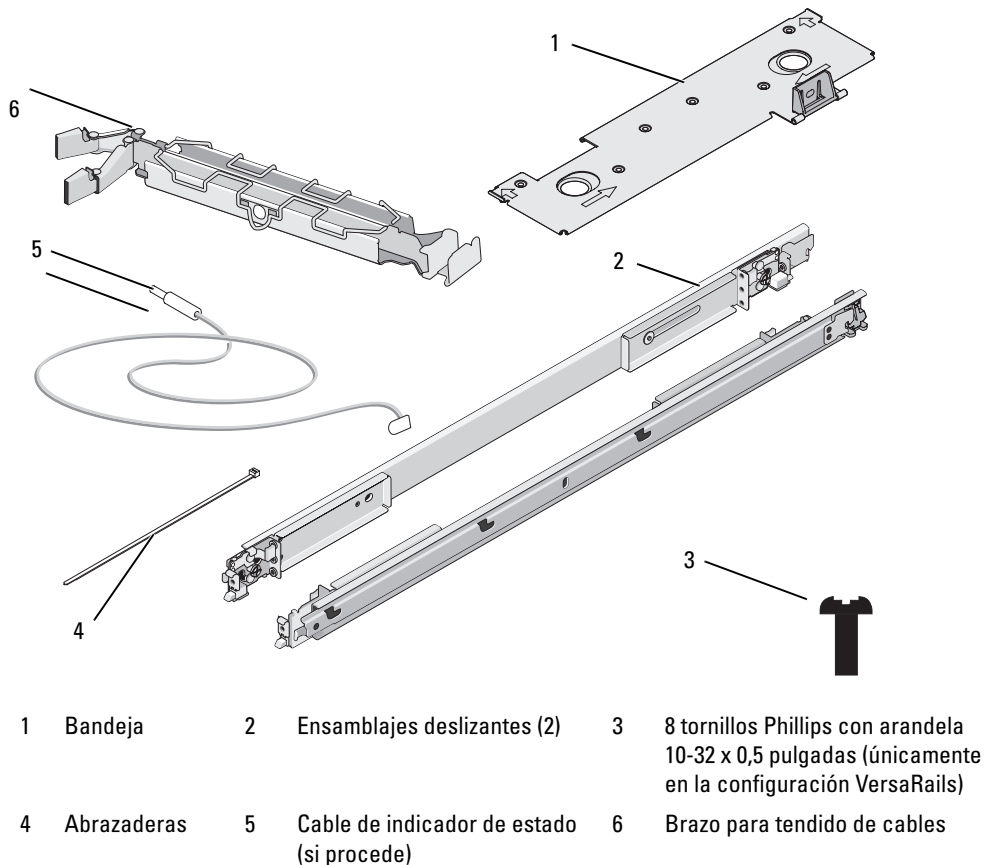
- Destornillador Phillips del nº 2
- Cinta adhesiva o rotulador de punta de fieltro para marcar los orificios de montaje que se utilizarán

Contenido del kit de rack de rieles deslizantes

- Un par de ensamblajes deslizantes (convertibles a la configuración RapidRails o VersaRails)
- Un brazo para tendido de cables
- Una bandeja
- Un cable de indicador de estado (si procede)
- Abrazaderas para fijar los cables al brazo para tendido de cables
- Ocho tornillos Phillips con arandela 10-32 x 0,5 pulgadas (utilizados únicamente en la configuración VersaRails)

NOTA: los tornillos no métricos que se describen en las ilustraciones y en los procedimientos se identifican por el tamaño y el número de roscas por pulgada. Por ejemplo, un tornillo Phillips del nº 10 con 32 roscas por pulgada se identifica como un tornillo 10-32.

Figura 1-1. Contenido del kit de rack de rieles deslizantes

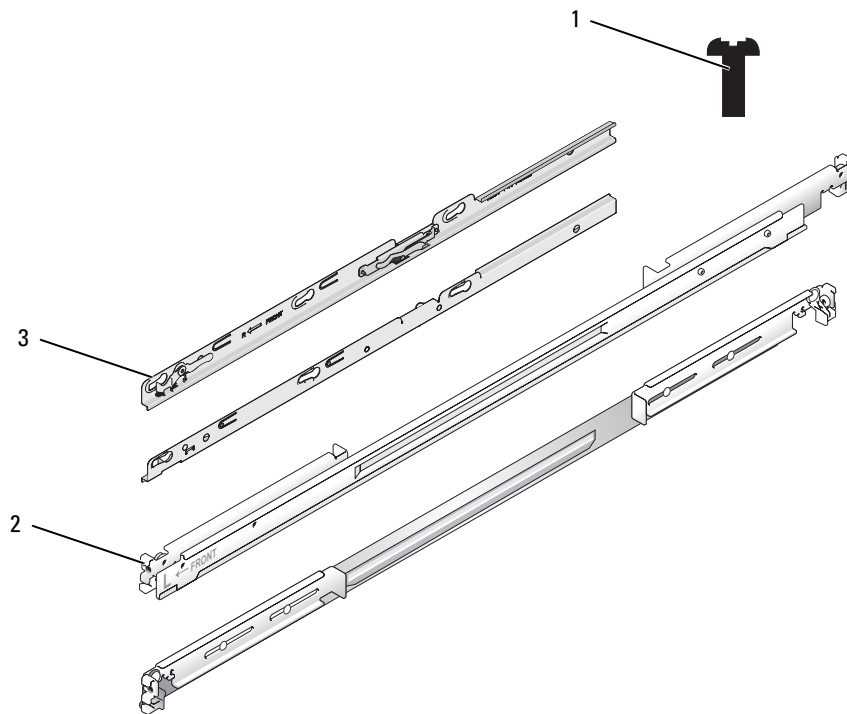


Contenido del kit de rack de rieles estáticos

- Un par de rieles de montaje estáticos con soportes VersaRails o RapidRails
- Un par de módulos de rieles estáticos de chasis
- 8 tornillos Phillips con arandela 10-32 x 0,5 pulgadas (sólo en los kits VersaRails)
- 2 abrazaderas desmontables (no se muestran en la figura 1-2)

NOTA: los tornillos no métricos que se describen en las ilustraciones y en los procedimientos se identifican por el tamaño y el número de roscas por pulgada. Por ejemplo, un tornillo Phillips del n° 10 con 32 roscas por pulgada se identifica como un tornillo 10-32.

Figura 1-2. Contenido del kit de rack de rieles estáticos



1 8 tornillos Phillips con arandela 10-32 x 0,5 pulgadas (únicamente en los kits VersaRails)

2 Rieles de montaje estáticos (2)

3 Módulos de rieles estáticos de chasis (2)

Tareas de instalación

La instalación del kit de rack implica realizar las tareas siguientes (que se describen en detalle en las secciones siguientes) en el orden indicado:

- 1 Extracción de las puertas del rack
- 2 Marcado del rack
- 3 Configuración de los ensamblajes de rieles deslizantes (únicamente en los kits de rieles deslizantes)
- 4 Instalación de los módulos de rieles estáticos del chasis (únicamente en los kits de rieles estáticos)
- 5 Instalación de los rieles de montaje en el rack
- 6 Instalación del sistema en el rack
- 7 Instalación de la bandeja y el brazo para tendido de cables (únicamente en los kits de rieles deslizantes)
- 8 Cableado
- 9 Colocación de las puertas del rack

Extracción de las puertas del rack

Para extraer las puertas, consulte los procedimientos correspondientes en la documentación suministrada con el armario rack.



PRECAUCIÓN: debido al tamaño y el peso de las puertas del armario rack, nunca debe intentar montarlas ni desmontarlas una sola persona.



PRECAUCIÓN: guarde las dos puertas en un lugar donde, en caso de caer accidentalmente, no puedan lesionar a nadie.

Marcado del rack

Para un sistema 1 U, debe asignar 1 U (44 mm) de espacio vertical para cada sistema que instale en el rack.

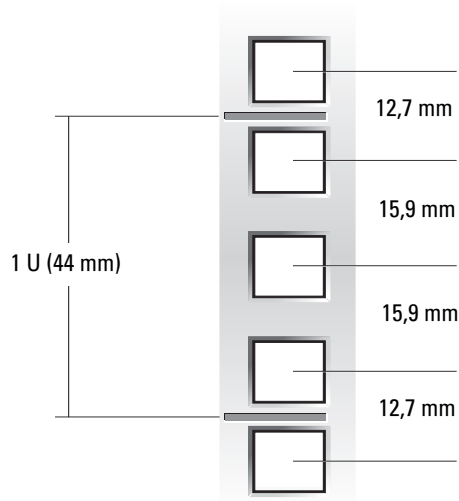
Los armarios rack que cumplen los estándares EIA-310 tienen un patrón alterno de tres orificios por unidad de rack con un espacio entre orificios de centro a centro (empezando por el orificio superior de un espacio 1 U) de 15,9 mm, 15,9 mm y 12,7 mm para los rieles verticales frontal y posterior (vea la figura 1-3).

Los armarios rack pueden tener orificios redondos o cuadrados.



NOTA: los rieles verticales se pueden marcar con líneas horizontales y números en incrementos de 1 U. Si lo desea, puede anotar en un papel las marcas numéricas del riel vertical del rack. No es necesario marcar el rack con rotulador ni con cinta adhesiva.

Figura 1-3. Una unidad de rack



⚠ PRECAUCIÓN: si va a instalar más de un sistema, instale los rieles de montaje de modo que el primer sistema quede instalado en la posición más baja disponible en el rack.

Para marcar el rack, realice los pasos siguientes:

- 1 Coloque una marca (o una cinta) en los rieles verticales frontales del rack en los que desee colocar la parte inferior del sistema que está instalando en el rack.

La parte inferior de cada espacio 1 U se encuentra en el centro de la zona metálica más estrecha entre orificios (marcados con una línea horizontal en algunos armarios rack; vea la figura 1-4).

- 2 Coloque una marca a 44 mm por encima de la marca original que ha realizado (o cuente tres orificios en un rack que cumpla los estándares EIA-310) y marque los rieles verticales frontales del rack con un rotulador de punta de fieltro o con cinta adhesiva (si ha contado los orificios, coloque una marca justo encima del orificio superior). Esta marca o trozo de cinta indica dónde se va a situar el borde superior del sistema en los rieles verticales (vea la figura 1-4).

Figura 1-4. Marcado de los rieles verticales



1 Marcas en el riel vertical (2)

Configuración de los ensamblajes de rieles deslizantes (únicamente en los kits de rieles deslizantes)

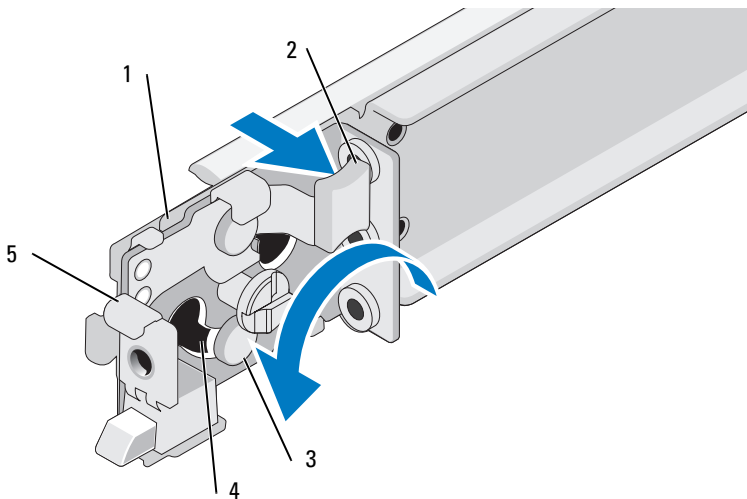
El ensamblaje de rieles deslizantes presenta un soporte de montaje giratorio en cada extremo del riel. La posición del soporte determina si el ensamblaje de rieles se utiliza como RapidRail o como VersaRail. El lado RapidRail del soporte tiene un gancho y un pestillo que lo fijan al riel vertical. El lado VersaRail del soporte tiene tres orificios y se fija al riel vertical mediante tornillos.

NOTA: el kit de rack se suministra con los ensamblajes de rieles deslizantes en la configuración RapidRails.

Para girar el soporte de montaje y cambiar los rieles de montaje de RapidRails a VersaRails (vea la figura 1-5):

- 1 Levante la palanca de liberación del soporte de montaje giratorio.
- 2 Gire el soporte y levántelo para sacarlo de los dos topes.
- 3 Continúe girando el soporte 180 grados hasta que pueda volver a colocar las muescas sobre los topes.
- 4 Gire el soporte en la dirección contraria sobre los topes hasta que el soporte encaje en su sitio.

Figura 1-5. Cambio de la posición del soporte de montaje giratorio



- | | | | | | |
|---|-------------------|---|--|---|-----------|
| 1 | Soporte giratorio | 2 | Palanca de liberación | 3 | Topes (2) |
| 4 | Muecas (2) | 5 | Superficie de montaje del soporte (configuración RapidRails) | | |

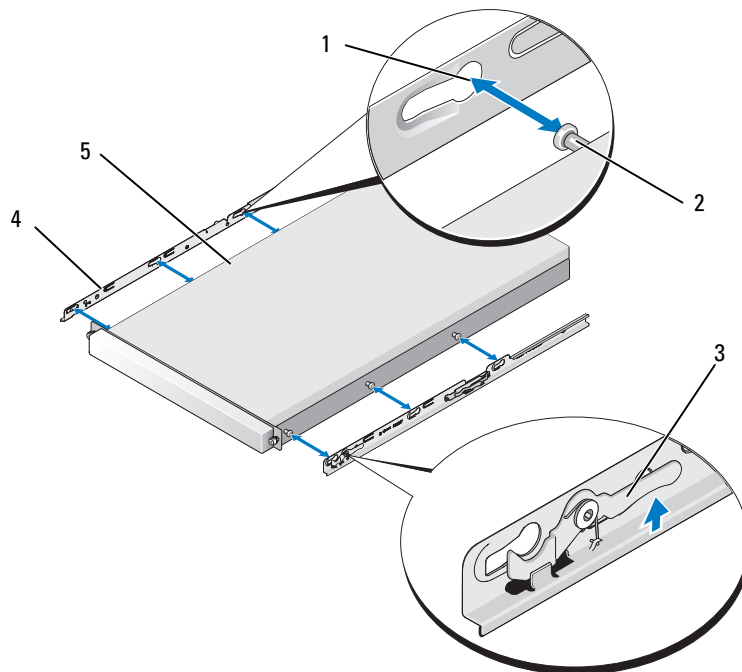
Instalación de los módulos de rieles estáticos del chasis (únicamente en los kits de rieles estáticos)

NOTA: no es necesario extraer el embellecedor frontal opcional para instalar o extraer los módulos de rieles estáticos del chasis.

- 1 Para instalar un módulo de rieles, localice las tres ranuras en forma de cerradura del módulo de rieles y los tornillos de pivote correspondientes en el lateral del sistema (vea la figura 1-6).
- 2 Coloque el módulo de rieles al lado del sistema de modo que los tornillos de pivote se ajusten a la parte redonda de las ranuras y, a continuación, inserte el módulo hacia la parte posterior del sistema.
- 3 Repita los pasos 1 y 2 para instalar el otro módulo de rieles.

Para extraer un módulo de rieles del chasis, tire del pestillo de liberación, deslice el riel hacia adelante y extraiga el módulo de rieles del chasis.

Figura 1-6. Instalación y extracción de los módulos de rieles estáticos del chasis



- | | | | | | |
|---|-----------------------------------|---|-------------------------|---|------------------------|
| 1 | Ranuras en forma de cerradura (6) | 2 | Tornillos de pivote (6) | 3 | Pestillo de liberación |
| 4 | Módulos de rieles (2) | 5 | Sistema | | |

Instalación de los rieles de montaje en el rack

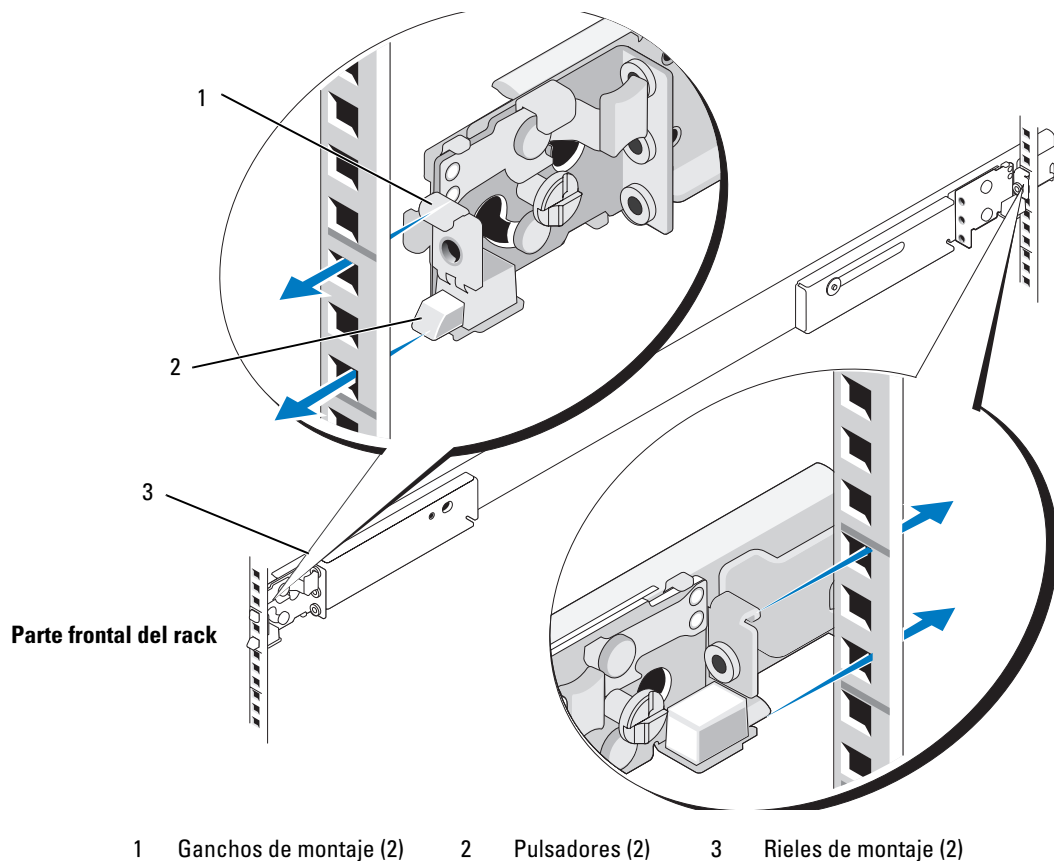
NOTA: las instrucciones siguientes corresponden tanto a los rieles de montaje deslizantes como a los estáticos.

Instalación de los rieles de montaje RapidRails

- 1 En la parte frontal del armario rack, coloque uno de los rieles de montaje de forma que la superficie de montaje del soporte quede situada entre las marcas o la cinta que ha colocado (o las posiciones numeradas) en los rieles verticales de la sección “Marcado del rack” (vea la figura 1-7).

El gancho de montaje superior de la superficie de montaje de soporte frontal debe entrar en el orificio superior entre las marcas realizadas en los rieles verticales.

Figura 1-7. Instalación de los rieles de montaje RapidRails



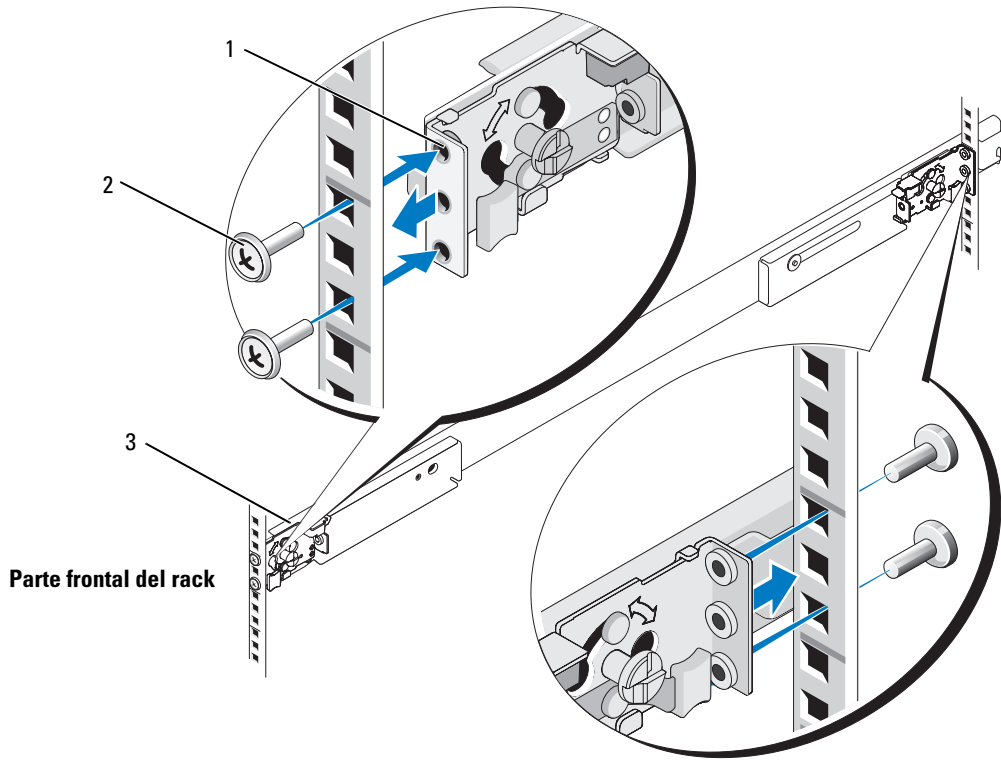
- 2** Empuje el riel de montaje hasta que el gancho de montaje entre en el orificio cuadrado correspondiente. A continuación, presione hacia abajo la superficie de montaje del soporte hasta que el gancho de montaje quede encajado y el botón de presión salga por el orificio cuadrado inferior (vea la figura 1-7).
- 3** En la parte posterior del armario, tire hacia atrás de la superficie de montaje hasta que el gancho de montaje encaje en el orificio cuadrado superior y, a continuación, empuje hacia abajo la superficie hasta que el gancho de montaje quede encajado y el botón de presión salga por el orificio cuadrado inferior.
- 4** Repita del paso 1 al paso 3 para el riel de montaje del otro lado del rack.
- 5** Asegúrese de que los rieles de montaje estén montados en la misma posición vertical en ambos lados del rack.

Instalación de los rieles de montaje VersaRails


- 1** En la parte frontal del armario rack, coloque uno de los rieles de montaje de forma que la superficie de montaje del soporte quede situada entre las marcas que ha colocado (o las posiciones numeradas) en los rieles verticales en la sección “Marcado del rack” (vea la figura 1-8).

Los tres orificios de la parte frontal de la superficie de montaje deben alinearse con los orificios situados entre las marcas realizadas en el riel vertical frontal.
- 2** Coloque dos tornillos Phillips con arandela 10-32 x 0,5 pulgadas en los orificios superior e inferior de la superficie de montaje del soporte para fijar el riel de montaje al riel vertical frontal.
- 3** En la parte posterior del armario, tire hacia atrás de la superficie de montaje del soporte hasta que los orificios de montaje queden alineados con los orificios correspondientes del riel vertical posterior.
- 4** Coloque dos tornillos Phillips con arandela 10-32 x 0,5 pulgadas en los orificios superior e inferior de la superficie de montaje del soporte para fijar el riel de montaje al riel vertical posterior.
- 5** Repita del paso 1 al paso 4 para el riel de montaje del otro lado del rack.
- 6** Asegúrese de que los rieles de montaje estén montados en la misma posición en los rieles verticales de ambos lados del rack.

Figura 1-8. Instalación de los rieles de montaje VersaRails



Instalación del sistema en el rack

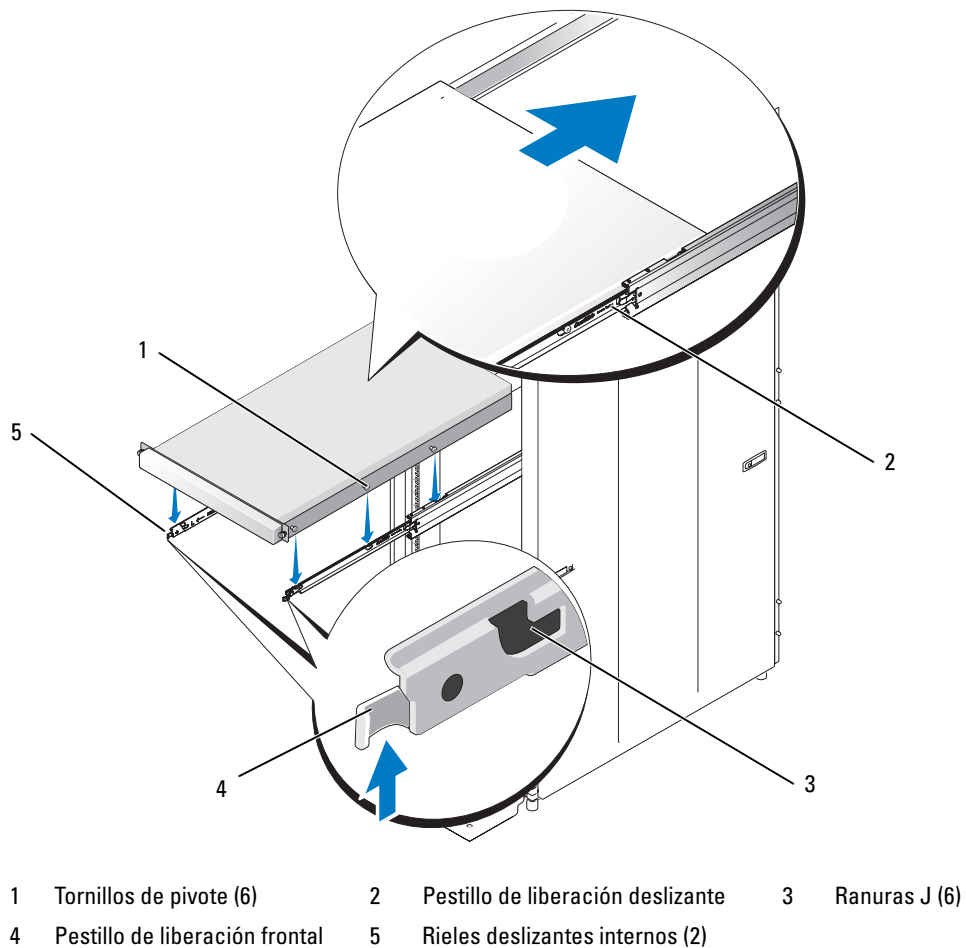
 **PRECAUCIÓN:** si va a instalar más de un sistema, instale el primero en la posición más baja disponible en el rack.

 **PRECAUCIÓN:** debido al tamaño y el peso del sistema, no intente nunca instalarlo en los rieles de montaje usted solo.

Instalación de un sistema con rieles deslizantes

- 1 Tire de los dos rieles deslizantes internos hacia fuera del rack hasta que queden totalmente extendidos (vea la figura 1-9).
- 2 Levante el sistema hasta colocarlo por encima de los rieles deslizantes extendidos.
Los tres tornillos de pivote de cada lado del sistema encajan en las ranuras J correspondientes de los ensamblajes deslizantes internos (vea la figura 1-9).
- 3 Baje la parte posterior del sistema alineando los tornillos de pivote posteriores situados en los lados del sistema con las ranuras J posteriores de los ensamblajes deslizantes.
- 4 Coloque los tornillos de pivote posteriores en sus respectivas ranuras J.
- 5 Baje la parte frontal del sistema y encaje los tornillos de pivote centrales y frontales en sus respectivas ranuras J de los ensamblajes deslizantes.
El pestillo de liberación del sistema de la parte frontal del riel deslizante interno encajará en su sitio cuando el tornillo de pivote encaje en la ranura frontal. Utilice este pestillo de liberación del sistema cuando desee extraer el sistema de los ensamblajes deslizantes.
- 6 Presione el pestillo de liberación deslizante de la parte exterior de cada riel deslizante interno y, a continuación, inserte el sistema en el rack.
- 7 Instale el brazo para tendido de cables. Consulte “Instalación de la bandeja y el brazo para tendido de cables (únicamente en los kits de rieles deslizantes)” en la página 182.
- 8 Apriete los tornillos mariposa del panel frontal del rack para fijar los ensamblajes deslizantes al rack.

Figura 1-9. Instalación de un sistema con rieles deslizantes

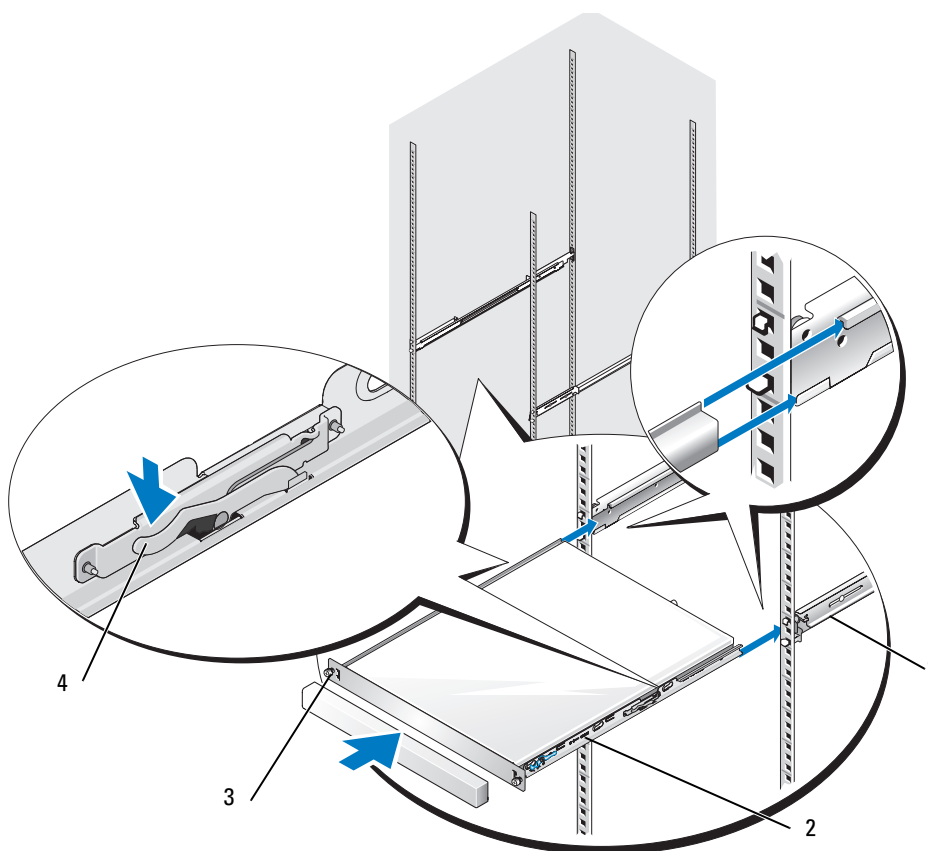


Instalación de un sistema con rieles estáticos

Para instalar el sistema en el rack, realice el procedimiento siguiente:

- 1 En la parte frontal del sistema, coloque el chasis en una posición en la que los módulos de rieles del chasis queden alineados con los rieles de montaje del rack.
- 2 Vuelva a insertar el chasis en los rieles de montaje hasta que el sistema se detenga (vea la figura 1-10).
- 3 Fije ambos tornillos mariposa en el panel frontal del chasis.
- 4 Instale el embellecedor frontal opcional (si procede). Para instalarlo, consulte los procedimientos en la documentación suministrada con el sistema.

Figura 1-10. Instalación de un sistema con rieles estáticos

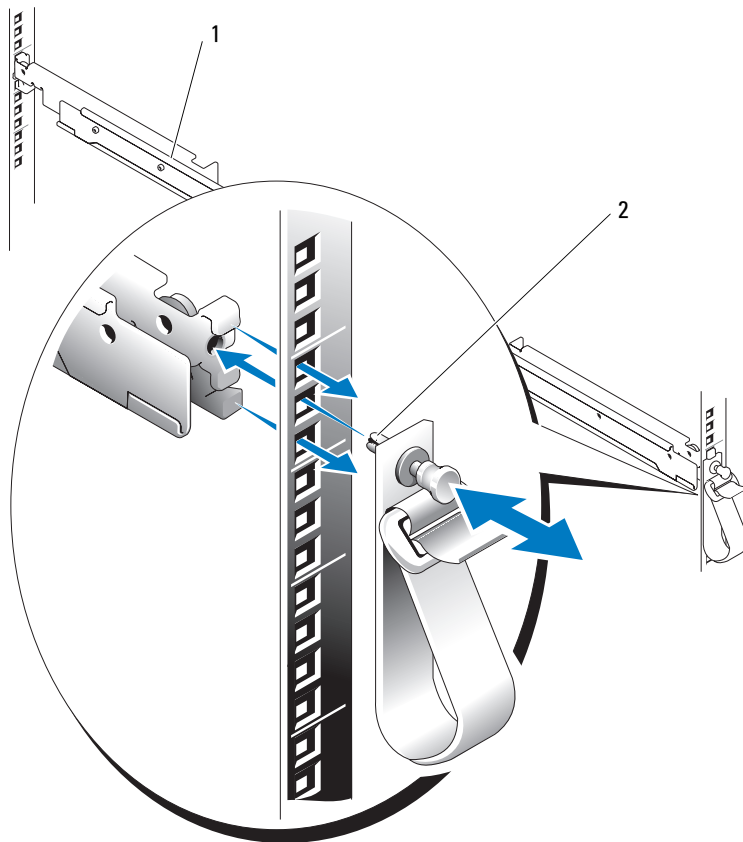


- | | | | | | |
|---|-----------------------------|---|----------------------------------|---|------------------------|
| 1 | Rieles de montaje (2) | 2 | Módulos de rieles del chasis (2) | 3 | Tornillos mariposa (2) |
| 4 | Pestillos de liberación (2) | | | | |

- 5** Localice los puntos de fijación de las abrazaderas desmontables ubicados en las dos superficies de montaje del soporte posterior (vea la figura 1-11).

Estas abrazaderas sirven para fijar los cables del sistema a los rieles de montaje.

Figura 1-11. Instalación de las abrazaderas desmontables



1 Rieles de montaje (2) 2 Abrazaderas desmontables (2)

- 6** Empuje el dispositivo de sujeción de la abrazadera por el punto de fijación.
7 Empuje el fiador de la abrazadera hasta que encaje para fijar la abrazadera al riel de montaje.
8 Mediante la abrazadera desmontable, sujete los cables del sistema al riel de montaje.

Colocación de las puertas del rack

Para colocar las puertas, consulte los procedimientos en la documentación suministrada con el rack.

⚠ PRECAUCIÓN: debido al tamaño y el peso de las puertas del armario rack, nunca debe intentar montarlas ni desmontarlas una sola persona.

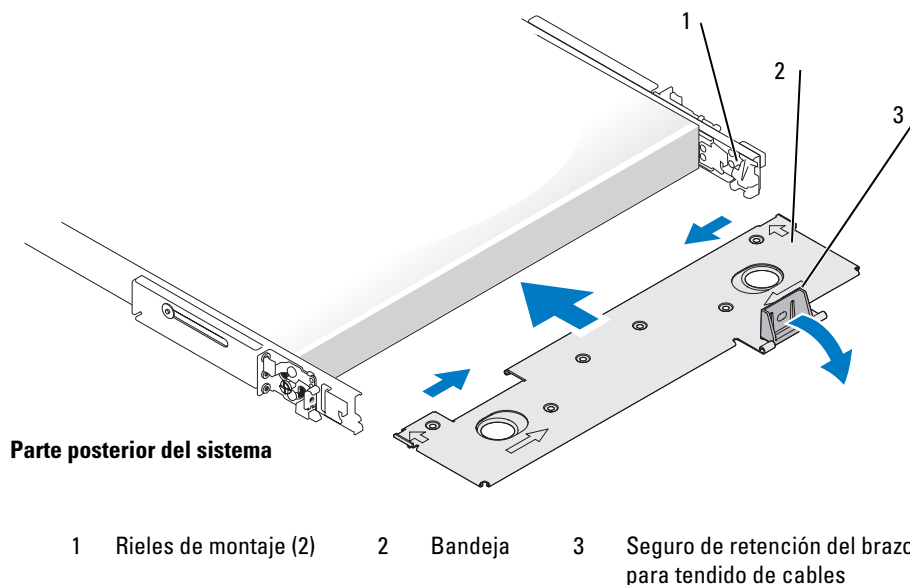
Instalación de la bandeja y el brazo para tendido de cables (únicamente en los kits de rieles deslizantes)

✍ NOTA: este procedimiento no se aplica al kit de rieles estáticos.

Instalación de la bandeja

- 1 En la parte posterior del sistema, ajuste los extremos de la bandeja entre los extremos de los rieles de montaje y deslícela hacia adelante hasta que quede encajada en su sitio (vea la figura 1-12).
- 2 Para preparar la instalación del brazo para tendido de cables, libere el retén del centro del seguro de cables, libere el retén del centro del seguro de retención del brazo para tendido de cables y gire el seguro hacia abajo (vea la figura 1-12).

Figura 1-12. Instalación de la bandeja

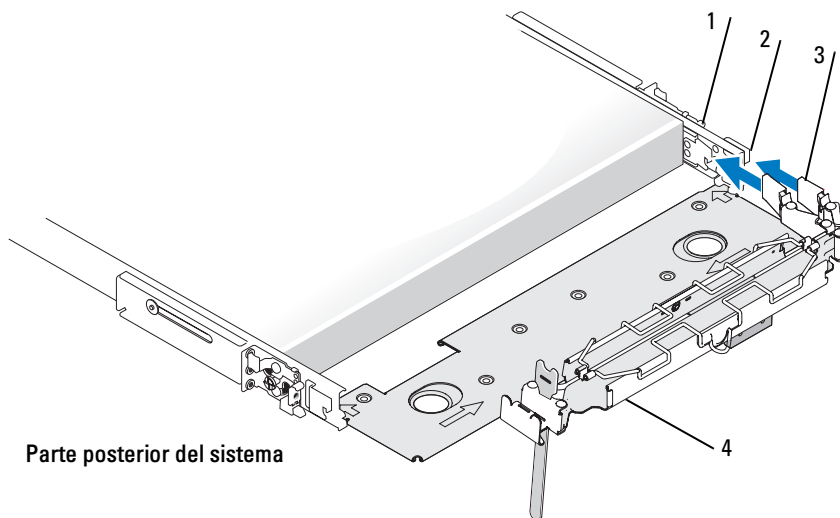


Instalación del brazo para tendido de cables

NOTA: el brazo para tendido de cables se puede colocar tanto en el riel de montaje de la derecha como en el de la izquierda, según cómo desee dirigir los cables desde el sistema.

- 1 Si es necesario, libere el retén del centro del seguro de retención del brazo para tendido de cables en la bandeja y gire el seguro hacia abajo (vea la figura 1-12).
- 2 En la parte posterior del sistema, encaje el pestillo del extremo frontal del brazo para tendido de cables en el soporte más interno del ensamblaje deslizante hasta que el pestillo encaje en su sitio (vea la figura 1-13).
- 3 Encaje el pestillo del extremo sin fijar del brazo para tendido de cables en el soporte más externo del ensamblaje deslizante hasta que el pestillo encaje en su sitio (vea la figura 1-13).

Figura 1-13. Instalación del brazo para tendido de cables

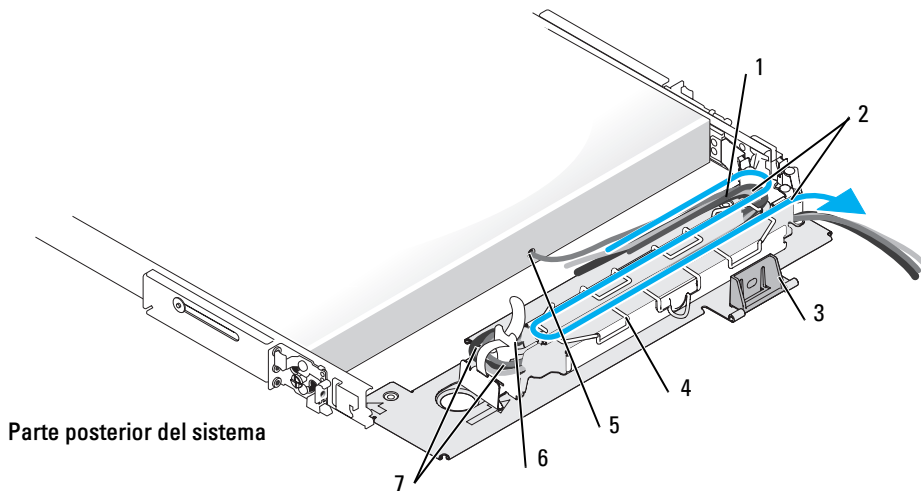


- | | | | | | |
|---|------------------------------|---|--------------|---|---------------|
| 1 | Rieles de montaje (2) | 2 | Soportes (2) | 3 | Pestillos (2) |
| 4 | Brazo para tendido de cables | | | | |

Cableado

- 1 Abra la tapa del soporte para cables de la parte superior del brazo para tendido de cables para poder colocar los cables en los brazos (vea la figura 1-14).

Figura 1-14. Cableado en el brazo para tendido de cables



- | | | |
|--------------------------------|---|--|
| 1 Brazo para tendido de cables | 2 Abrazaderas preinstaladas | 3 Seguro de retención del brazo para tendido de cables |
| 4 Tapa del soporte | 5 Conector del cable de indicador de estado del sistema | 6 Tira de velcro |
| 7 Abrazaderas preinstaladas | | |


- 2 Si procede, conecte el cable de indicador de estado del sistema en su conector del panel posterior del sistema.

Pase el cable de indicador de estado del sistema por el brazo para tendido de cables e inserte el extremo del LED en la ranura del extremo del brazo para tendido de cables.

- 3 Enchufe los conectores de cable de E/S y de cable de alimentación en sus conectores respectivos del panel posterior del sistema.

Para obtener más información sobre las conexiones de los cables, consulte la *Guía de introducción del sistema* o el *Manual del propietario del hardware*.

NOTA: coloque los lazos liberadores de tensión en la parte posterior de las fuentes de alimentación para liberar la tensión de los cables de alimentación.

- 4 Utilice las abrazaderas incluidas en el kit de rack para agrupar los cables de modo que no interfieran en los sistemas adyacentes al rack.
- 5 Pase los cables a través de los soportes del brazo para tendido de cables.
- 6 Realice los ajustes de holgura necesarios en los cables en las posiciones de las bisagras y fije los cables agrupados con la tira de velcro vertical (vea la figura 1-14).
- 7 Utilice las abrazaderas preinstaladas en el extremo interno y el punto de bisagra del brazo para tendido de cables para fijar los cables agrupados en el canal del brazo (vea la figura 1-14).
- 8 Cierre la tapa del soporte para cables.
- 9 Desatornille los tornillos mariposa que fijan la parte frontal del sistema al riel vertical frontal.
- 10 Deslice el sistema dentro y fuera del rack para comprobar que los cables estén colocados correctamente y que no queden doblados o estirados ni interfieran con el movimiento del brazo para tendido de cables. Ajuste los cables en el interior del brazo para tendido de cables según sea necesario.
 **NOTA:** si extrae el sistema hasta la posición máxima, los ensamblajes deslizantes quedarán bloqueados en la posición extendida. Para desbloquearlos, presione el seguro de liberación deslizante del lateral del ensamblaje deslizante y, a continuación, inserte el sistema en el rack.
- 11 Cuando haya comprobado que los cables están colocados correctamente, inserte el sistema totalmente en el rack.
- 12 Levante el seguro de retención del brazo para tendido de cables de la bandeja para fijar el brazo (vea la figura 1-14).

Extracción del sistema del rack

Extracción de un sistema con rieles deslizantes

Para extraer el sistema del rack, realice el procedimiento siguiente:

- 1 Apague el sistema y los periféricos conectados, y desconecte el sistema de la toma eléctrica.
- 2 Desenchufe los conectores de cable de E/S y de cable de alimentación de sus conectores respectivos en el panel posterior del sistema.
- 3 Afloje los tornillos mariposa situados en ambos lados del panel frontal del chasis que fijan el sistema al rack.
- 4 Tire del sistema para extraerlo del rack hasta que se detenga con los rieles totalmente extendidos.
- 5 Tire del pestillo de liberación frontal de cada riel (vea la figura 1-9) y deslice el sistema hacia delante.
- 6 Tire del sistema hasta extraerlo completamente del rack.

Extracción de un sistema con rieles estáticos


Para extraer el sistema del rack, realice el procedimiento siguiente:

- 1** Apague el sistema y los periféricos conectados, y desconecte el sistema de la toma eléctrica.
- 2** Afloje los tornillos mariposa situados en ambos lados del panel frontal del chasis que fijan el sistema al rack.
- 3** Desconecte todos los cables del sistema.
- 4** Tire del sistema para extraerlo del rack hasta que se detenga debido a los pestillos de liberación.
- 5** Presione hacia abajo los pestillos de liberación de ambos lados del sistema (vea la figura 1-10).
- 6** Tire del sistema hasta extraerlo completamente del rack.

Instalación del rack de dos postes

El kit de rack de dos postes se utiliza para instalar un sistema en un rack abierto de dos postes, como los que se encuentran en las instalaciones de equipos de telecomunicaciones. Admite racks de dos postes de 7,62 cm o 15,24 cm de anchura, con separación universal o ancha entre orificios. Puede instalar este kit en una configuración de montaje centrado o a ras.

Debe fijar correctamente el rack de telecomunicaciones en el suelo, el techo o la pared y, cuando proceda, a los racks adyacentes, mediante los dispositivos de sujeción y las abrazaderas de suelo y pared especificados o aprobados por el fabricante del rack o las normas industriales al respecto. Antes de iniciar la instalación, consulte la documentación de racks de dos postes del fabricante para consultar las advertencias de seguridad.

 **PRECAUCIÓN:** no intente instalar el sistema en un rack abierto de dos postes que no se haya fijado en su ubicación de forma segura. Si no sigue esta precaución, el sistema puede resultar dañado y usted u otras personas podrían lesionarse.


Instrucciones de seguridad


Siga estas pautas de seguridad para garantizar su propia seguridad y proteger el sistema y el entorno de trabajo frente a posibles daños. Para obtener información completa acerca de la seguridad, consulte la *Guía de información del producto*.

SEGURIDAD: Montaje de sistemas en rack

Tenga en cuenta las precauciones siguientes para garantizar la estabilidad y la seguridad del rack. Consulte también la documentación de instalación del rack incluida con el sistema y el rack para ver las instrucciones y los procedimientos específicos de precaución.

Los sistemas se consideran componentes de un rack. Por lo tanto, “componente” se refiere a cualquier sistema, así como a los distintos periféricos o al hardware de soporte.

 **PRECAUCIÓN:** después de instalar los sistemas o componentes en un rack, no extraiga más de un componente sobre sus ensamblajes deslizantes a la vez. El peso de más de un componente extendido puede provocar que el rack se vuelque y ello puede producir lesiones graves.

 **NOTA:** este sistema tiene el certificado de seguridad de una unidad independiente y como un componente para uso en un armario rack Dell con el kit de rack para clientes. La instalación del sistema y del kit de rack en otros armarios rack no ha sido aprobada por ninguna agencia de seguridad. Es su responsabilidad asegurarse de que la combinación final de sistema y rack cumpla los estándares de seguridad correspondientes y los requisitos de códigos de electricidad locales. Dell declina todas las responsabilidades y garantías con relación a tales combinaciones.

- Los kits de rack del sistema están diseñados para ser instalados en un rack por técnicos de servicio cualificados. Si instala el kit en cualquier otro rack, cerciórese de que éste cumpla las especificaciones de un rack Dell.



PRECAUCIÓN: no mueva los racks sin la ayuda de otra persona. Debido a la altura y el peso del rack, se recomienda un mínimo de dos personas para realizar dicha tarea.

- Cargue siempre el rack desde la parte inferior hacia arriba, colocando en primer lugar el elemento más pesado.
- El rack debe estar nivelado y estable antes de extender un componente.
- Tenga cuidado al presionar los pestillos de liberación de los rieles de componentes y al extraer o introducir un componente del rack, puesto que sus dedos pueden quedar aprisionados en los rieles deslizantes.
- No sobrecargue el circuito de alimentación de CA que suministra alimentación al rack. La carga total del rack no debe ser superior al 80 % de la corriente nominal del circuito.
- Los componentes del rack deben disponer de una ventilación suficiente.
- No suba sobre ningún componente ni lo utilice como escalón para realizar operaciones en los componentes de un rack.

Antes de comenzar

Antes de montar el sistema en el rack, lea detenidamente la sección “Instrucciones de seguridad” de esta guía, así como las instrucciones de seguridad que se incluyen en la *Guía de información del producto* para obtener información adicional.



PRECAUCIÓN: cuando instale varios sistemas en un rack, realice todos los procedimientos para un sistema antes de instalar el siguiente sistema.



NOTA: para obtener instrucciones sobre la instalación del sistema, consulte “Instalación del sistema en el rack” en la página 198.

Información importante sobre seguridad

Tenga en cuenta las precauciones de seguridad descritas en los apartados siguientes al instalar el sistema en el rack.



PRECAUCIÓN: debe seguir estrictamente los procedimientos que se explican en este documento para protegerse a sí mismo y a otras personas que puedan verse involucradas. El sistema puede tener una envergadura y un peso considerables, por lo que son importantes una preparación y una planificación adecuadas para evitar lesiones personales. Esta precaución es aún más importante cuando se montan sistemas en la parte alta del rack.



PRECAUCIÓN: no instale componentes de kit de rack que estén diseñados para otro sistema. Utilice únicamente el kit de rack correspondiente a su sistema. Si utiliza un kit de rack para otro sistema, pueden producirse daños en el sistema y lesiones personales.

Herramientas y material recomendados

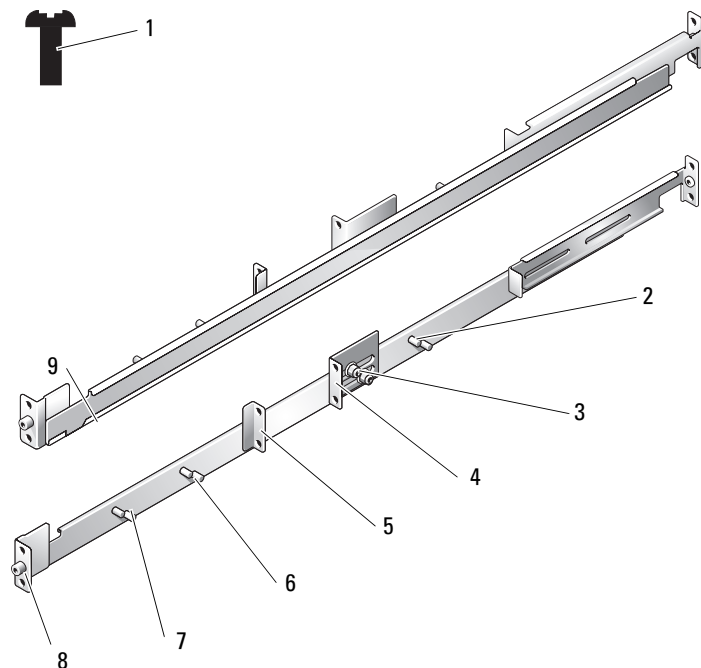
- Destornillador Phillips del n° 2
- Llave o destornillador para tuercas hexagonales de 3/8 pulgadas (si se cambia del montaje en soporte al montaje a ras)
- Cinta adhesiva o rotulador de punta de fieltro para marcar los orificios de montaje

Contenido del kit de rack

El kit de rack de dos postes incluye (vea la figura 2-1):

- Un par de rieles de montaje
- 8 tornillos Phillips de cabeza cónica 12-24 x 0,5 pulgadas
- 2 abrazaderas desmontables (no se muestran en la figura 2-1)

Figura 2-1. Componentes del kit de rack de dos postes



1	8 tornillos Phillips de cabeza cónica 12-24 x 0,5 pulgadas	2	Espárragos de montaje centrado de 15,24 cm	3	Espárragos de montaje centrado de 7,62 cm
4	Superficie de montaje ajustable	5	Superficie de montaje centrado	6	Espárragos de montaje a ras de 15,24 cm
7	Espárragos de montaje a ras de 7,62 cm	8	Superficie de montaje a ras	9	Rieles de montaje (2)

Tareas de instalación

Para instalar un kit de rack de dos postes se deben realizar las tareas siguientes en el orden indicado:

- 1 Marcado del rack
 - Rack con separación universal entre orificios
 - Rack con separación ancha entre orificios
- 2 Instalación de los rieles de montaje en el rack
 - Montaje centrado
 - Montaje a ras
- 3 Instalación del sistema en el rack
- 4 Cableado

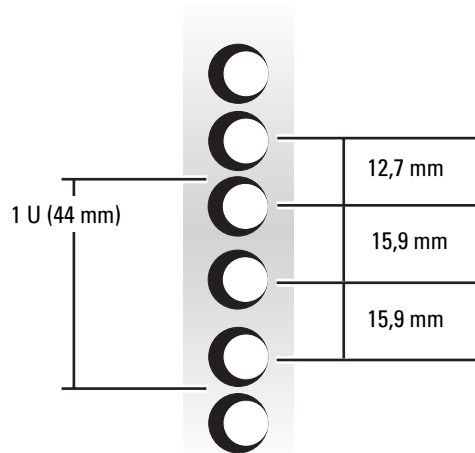
Marcado del rack

Debe dejar 1 U (44 mm) de espacio vertical para cada sistema que monte en el rack de dos postes.

Racks con separación universal entre orificios

Los racks con separación universal entre orificios tienen un patrón alterno de tres orificios por unidad de rack con una separación entre orificios de centro a centro (empezando por el orificio superior de un espacio 1 U) de 15,9 mm, 15,9 mm y 12,7 mm para las columnas de orificios verticales frontal y posterior (vea la figura 2-2).

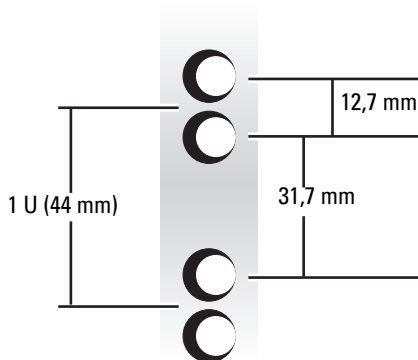
Figura 2-2. Separación universal entre los orificios en un rack abierto de dos postes



Racks con separación ancha entre orificios

Los racks con separación ancha entre orificios tienen un patrón alterno de dos orificios por unidad de rack con una separación entre orificios de centro a centro (empezando por el orificio superior de un espacio 1 U) de 31,7 mm y 12,7 mm para las columnas de orificios verticales frontal y posterior (vea la figura 2-3).

Figura 2-3. Separación ancha entre los orificios en un rack abierto de dos postes



Para marcar el rack, realice los pasos siguientes:

- 1 Marque los rieles verticales frontales en los que desee colocar la parte inferior del sistema que está instalando en el rack de dos postes.

La parte inferior de cada espacio 1 U se encuentra en el centro de la zona metálica más estrecha entre los orificios.

NOTA: si el rack tiene una separación ancha entre orificios, vaya al paso 3.

- 2 Coloque una marca a 44 mm por encima de la marca original que ha realizado o cuente tres orificios en un rack con separación universal entre orificios (vea la figura 2-2).

Cada 1 U (44 mm) de espacio vertical en un rack con separación universal entre orificios tiene tres orificios con una separación de centro a centro entre orificios (empezando por la parte superior de un espacio 1 U) de 15,9 mm, 15,9 mm y 12,7 mm (vea la figura 2-2).

NOTA: si el rack tiene una separación universal entre orificios, el procedimiento de marcado del rack habrá finalizado.

- 3 Coloque una marca a 44 mm por encima de la marca original que ha realizado o cuente hasta el siguiente orificio del rack si éste tiene una separación ancha entre orificios (vea la figura 2-3).

Cada 1 U (44 mm) de espacio vertical en un rack con separación ancha entre orificios tiene dos orificios con una separación de centro a centro entre orificios (empezando por la parte superior de un espacio 1 U) de 31,7 mm (vea la figura 2-3).

Instalación de los rieles de montaje

Puede instalar los rieles de montaje en un rack abierto de dos postes que tenga separación universal entre orificios (vea la figura 2-2) o separación ancha entre orificios (vea la figura 2-3). Puede instalar los rieles de montaje en una configuración de montaje centrado o a ras.



PRECAUCIÓN: no monte otro sistema utilizando este kit de rack. Utilice únicamente el kit de rack diseñado para su sistema. Si utiliza un kit de rack para otro sistema, pueden producirse daños en el sistema y lesiones personales.

Montaje centrado

El kit de rack de dos postes se entrega con los soportes configurados para un montaje centrado de 7,62 cm de ancho. La figura 2-1 muestra los componentes del riel de montaje. Para completar la instalación, realice los pasos siguientes:

- 1 Localice el riel de montaje derecho y empuje el soporte de montaje ajustable hacia la parte posterior del riel de montaje (vea la figura 2-4).
- 2 Coloque el riel de montaje derecho en el rack de dos postes en la posición que haya marcado, empuje el soporte de montaje ajustable de montaje centrado hacia el rack de dos postes vertical y, por último, fije la superficie de montaje y el soporte de montaje ajustable al rack mediante cuatro tornillos Phillips de cabeza cónica 12-24 x 0,5 pulgadas (vea la figura 2-4).
- 3 Repita el paso 1 y el paso 2 para instalar el riel de montaje izquierdo en el rack.

Figura 2-4. Instalación de los rieles de montaje para una configuración de montaje centrado



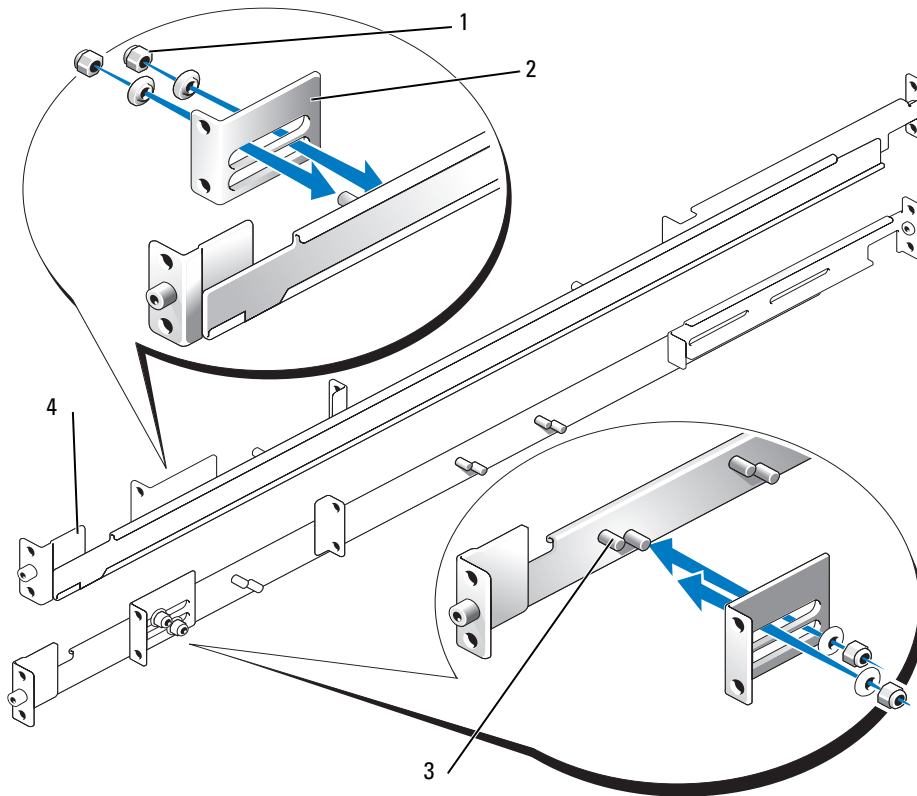
- | | | | | | |
|---|----------------------------|---|---|---|--------------------------------|
| 1 | Rack abierto de dos postes | 2 | Tornillos Phillips de cabeza cónica 12-24 x 0,5 pulgadas (4 por riel) | 3 | Superficie de montaje centrado |
| 2 | Rieles de montaje (2) | 4 | Rieles del sistema (2) | 6 | Pestillo de liberación |

Montaje a ras

El kit de rack de dos postes se entrega con los soportes configurados para un montaje centrado de 7,62 cm de ancho. La figura 2-1 muestra los componentes del riel de montaje. Para preparar los rieles de montaje para la instalación a ras en el rack de dos postes, siga estos pasos:

- 1** Localice los dos rieles de montaje y colóquelos uno al lado del otro en una superficie lisa, con los extremos frontales de los rieles de montaje orientados hacia usted (vea la figura 2-5).
- 2** Mediante una llave o un destornillador para tuercas hexagonales de 3/8 pulgadas, extraiga las dos tuercas del soporte de montaje ajustable (vea la figura 2-5).
- 3** Extraiga el soporte y colóquelo en los espárragos de montaje a ras de 7,62 cm o 15,24 cm (vea la figura 2-5).
- 4** Apriete las dos tuercas que ha extraído en el paso 2 para fijar el soporte de montaje ajustable (vea la figura 2-5).
- 5** Repita del paso 2 al paso 4 para montar el otro riel de montaje.

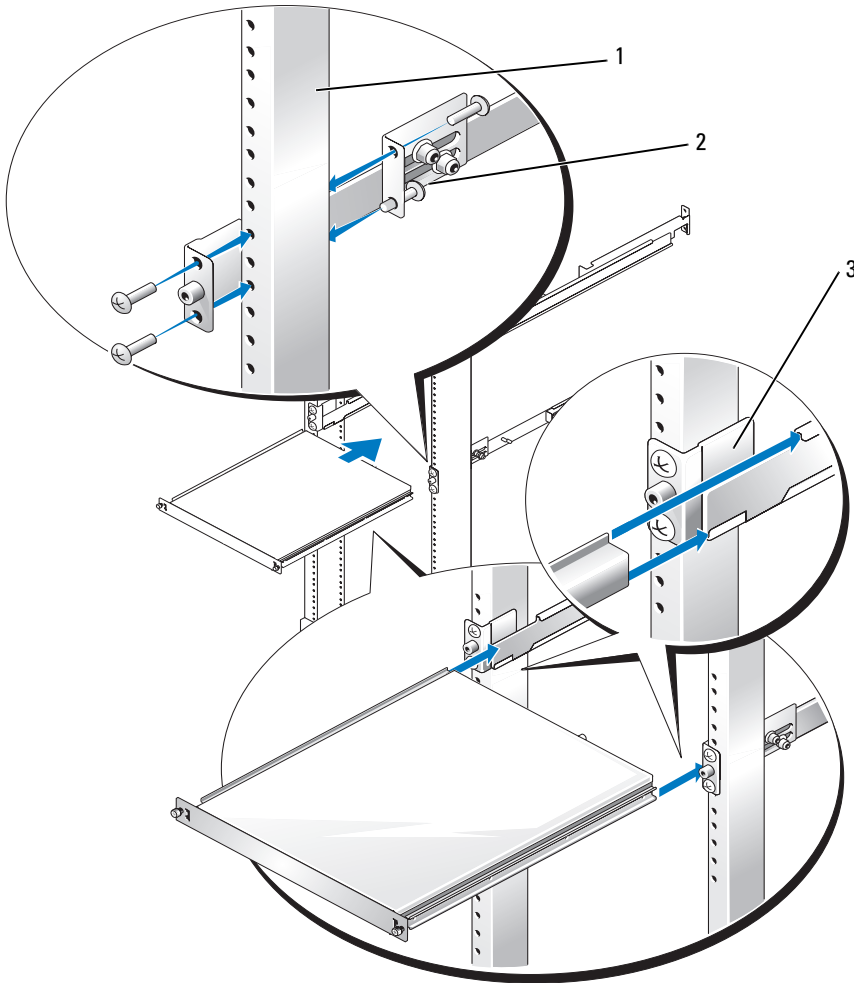
Figura 2-5. Configuración del soporte de montaje ajustable para el montaje a ras



- 1 Tuercas (2 por soporte) 2 Soporte de montaje ajustable 3 Espárragos de montaje a ras de 7,62 cm
- 4 Superficie de montaje a ras

- 6 Coloque el riel de montaje izquierdo en la ubicación que ha marcado, coloque firmemente la superficie de montaje a ras contra la parte frontal del rack de dos postes vertical y fíjelo al riel de dos postes con dos tornillos Phillips de cabeza cónica 12-24 x 0,5 pulgadas (vea la figura 2-6).
- 7 Deslice el soporte de montaje ajustable de modo que quede colocado contra la parte posterior del rack de dos postes vertical y fíjelo al riel de dos postes mediante dos tornillos Phillips de cabeza cónica 12-24 x 0,5 pulgadas (vea la figura 2-6).
- 8 Repita el paso 6 y el paso 7 para instalar el riel de montaje derecho en el rack.
- 9 Mediante una llave o un destornillador para tuercas hexagonales de 3/8 pulgadas, apriete las tuercas de los soportes de montaje ajustables de los dos rieles de montaje.

Figura 2-6. Instalación de los rieles de montaje para una configuración de montaje a ras



- | | | | | | |
|---|----------------------------|---|---|---|-----------------------|
| 1 | Rack abierto de dos postes | 2 | Tornillos Phillips de cabeza cónica 12-24 x 0,5 pulgadas (4 por riel) | 3 | Rieles de montaje (2) |
|---|----------------------------|---|---|---|-----------------------|

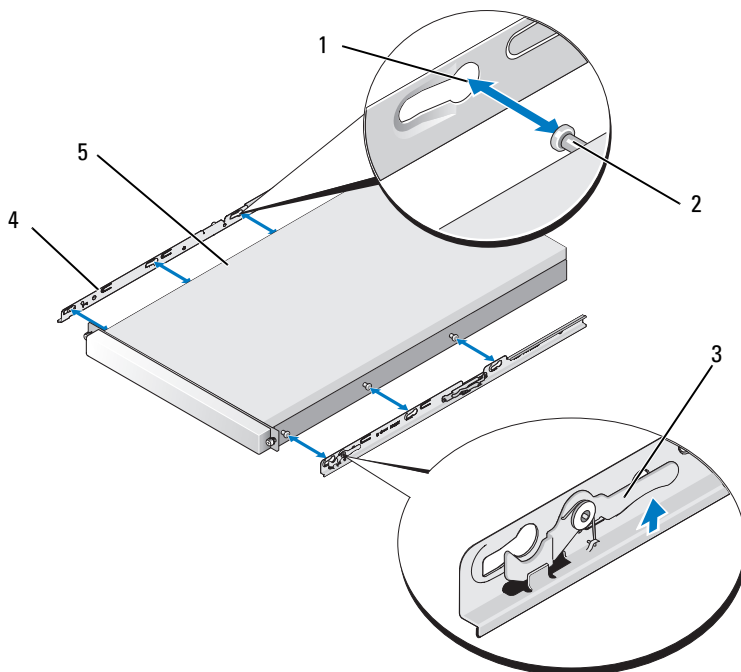
Instalación de los módulos de rieles estáticos del chasis

NOTA: no es necesario extraer el embellecedor frontal opcional para instalar o extraer los módulos de rieles estáticos del chasis.

- 1 Para instalar un módulo de rieles, localice las tres ranuras en forma de cerradura del módulo de rieles y los tornillos de pivote correspondientes en el lateral del sistema (vea la figura 2-7).
- 2 Coloque el módulo de rieles al lado del sistema de modo que los tornillos de pivote se ajusten a la parte redonda de las ranuras y, a continuación, inserte el módulo hacia la parte posterior del sistema.
- 3 Repita los pasos 1 y 2 para instalar el otro módulo de rieles.


Para extraer un módulo de rieles del chasis, tire del pestillo de liberación, deslice el riel hacia adelante y extraiga el módulo de rieles del chasis.

Figura 2-7. Instalación y extracción de los módulos de rieles estáticos del chasis



- | | | | | | |
|---|-----------------------------------|---|-------------------------|---|------------------------|
| 1 | Ranuras en forma de cerradura (6) | 2 | Tornillos de pivote (6) | 3 | Pestillo de liberación |
| 4 | Módulos de rieles (2) | 5 | Sistema | | |

Instalación del sistema en el rack

 **PRECAUCIÓN:** si va a instalar más de un sistema, instale el primero en la posición más baja disponible en el rack.

- 1 Coloque una mano en la parte inferior frontal del sistema y la otra en la parte inferior posterior.
- 2 Levante el sistema hasta colocarlo en una posición en la que los rieles laterales de la parte posterior del sistema queden alineados con los rieles de montaje del rack.

 **PRECAUCIÓN:** debido al tamaño y el peso del sistema, no intente nunca instalarlo en los rieles de montaje usted solo.

- 3 Inserte el sistema en los rieles de montaje hasta que se detenga.
- 4 Inserte y apriete los tornillos mariposa de ambos lados del panel frontal del chasis para fijar el sistema en el rack.

Extracción del sistema del rack

Para extraer el sistema del rack, realice el procedimiento siguiente:

- 1 Apague el sistema y los periféricos conectados, y desconecte el sistema de la toma eléctrica.
- 2 Afloje los tornillos mariposa situados en ambos lados del panel frontal del chasis que fijan el sistema al rack.
- 3 Desconecte todos los cables del sistema.
- 4 Tire del sistema para extraerlo del rack hasta que se detenga debido a los pestillos de liberación.
- 5 Presione hacia abajo los pestillos de liberación de ambos lados del sistema (vea la figura 1-10).
- 6 Tire del sistema hasta extraerlo completamente del rack.

Índice

B

bandeja para cables,
instalar, 182

brazo para tendido
de cables
cablear, 185
instalar, 182

C

cablear, 184

cables, 185

colocar las puertas
del rack, 182

configuración de montaje
a ras, 194
centrado, 192

contenido del kit
rack de dos postes, 189
VersaRails, 168-169, 181

contenido enumerado
kit de rack de dos postes, 189
kit VersaRails, 168-169

E

extraer sistema
rack de cuatro postes,
185, 198

H

herramientas y material
kit de rack de cuatro
postes, 167
kit de rack de dos postes, 189

I

instalar
bandeja para cables, 182
brazo para tendido de
cables, 182
kit de rack de cuatro
postes, 175
kit de rack de dos postes, 187
módulos de rieles
estáticos, 174, 197
rieles de montaje en rack
de dos postes, 192, 194
rieles de montaje
RapidRails, 175
rieles de montaje
VersaRails, 174, 177,
179, 197
sistema en rack de
cuatro postes, 178, 198
instrucciones de
seguridad, 165, 187

K

kit de rack de cuatro postes
contenido del kit
VersaRails, 168-169
herramientas y material, 167
kit de rack de dos postes
contenido del kit, 189
herramientas y material, 189
instalar rieles de montaje, 192
marcar rack, 190

M

marcar rack
kit de rack de cuatro
postes, 170
kit de rack de
dos postes, 190-191

P

pies estabilizadores, 167
precauciones para el montaje
del rack, 166, 188
puertas
colocar, 182
extraer, 170

R

rack de cuatro postes
 extraer sistema, 185, 198

rack, pies estabilizadores, 167

requisitos del rack para
 VersaRails, 167

rieles verticales
 marcar, 170
 una unidad de rack, 171

T

tendido de cables, 184

U

unidad de rack, 171

V

VersaRails
 contenido
 del kit, 168-169, 181
 instalar, 174, 177, 179, 197